

VHEMBE DISTRICT MUNICIPALITY



CONTRACT NUMBER: VDM/TECH/04/05/2026/01

**WATER SUPPLY AND BULK WATER RETICULATION
OF NGWENANI THEMELI, NGULUMBI, NGOVHELA
BACKSIDE, MADAMALALA, PHINDULA, MAEMBENI
AND MULEDZHI**

PHASE 2D (NGWENANI THEMELI)

TENDER DOCUMENT

CIDB GRADING: 7CE or Higher

NAME OF TENDERER	:	
TENDER AMOUNT	:	



EXPANDED PUBLIC WORKS PROGRAMME

PREPARED FOR:

VHEMBE DISTRICT MUNICIPALITY



**Private Bag X5006
THOHOYANDOU
0950**

Tel: 015 960 2000

Fax: 015 960 1017

PREPARED BY:

MORULA CONSULTING ENGINEERS



**P.O Box 2740
Polokwane
0700**

Tel: 015 296 1161

Fax: 015 296 1344/086 558 6446

VHEMBE DISTRICT MUNICIPALITY



RESPONSIVENESS AND EVALUATION CRITERIA

1. RESPONSIVENESS CRITERIA

The Vhembe District Municipality will consider no Bid unless it meets the following responsiveness criteria:

- The bid must be properly received in a sealed envelope clearly indicating the description of the service and the bid number for which the bid is submitted.
- The bid must be deposited in the relevant bid box as indicated on the notice of the bid on or before the closing date and time of the bid.
- Valid CSD Certificate must be submitted with the bid on or before the closing time and date of the bid.
- Bid forms must be completed in full and each page of the bid initialed.
- Submission of a Joint Venture Agreement, where applicable, which has been properly signed by all parties.
- Proof of payment of Municipal Rates and Taxes or letter for Tribal Authority or lease agreement must be attached.
- Complies with the requirements of the bid and technical specifications.
- Registered in the relevant contractor category in the Construction Industry Development Board Register of Contractors (CIDB).
- Adheres to Pricing Instructions.
- Financial ability to execute the contract.
- Comply in full and observe the requirements of the Notice to Bidders.
- Experience with similar work – demonstrate a track record of a project of similar scope and size

2. EVALUATION OF BIDS

- a) All bids received shall be evaluated in terms of the Supply Chain Management Regulations, Vhembe District Municipality Supply Chain Management Policy (on request from Municipality), the preferential procurement regulation 2011, and other applicable legislations.
- b) The Council reserves the right to accept all, some, or none of the bids submitted – either wholly or in part – and it is not obliged to accept the lowest bid.

By submitting this bid, bidder authorizes the Council or its delegate(s) to carry out any investigation deemed necessary to verify the correctness of the statements and documents submitted and that such documents reasonably reflect the ability of the Bidder to provide the goods and services required by the Council.

PLEASE NOTE

- 1. The Municipal Manager may cancel a contract awarded to a person if:**
 - a) The person committed a corrupt or fraudulent act during the procurement process or in the execution of the contract, or
 - b) An official or other role player committed any corrupt or fraudulent act during the procurement process or in the execution of the contract that benefited that person.

- 2. The Municipal Manager may reject the bid or quote of any person if that person or any of its directors has:**
 - a) Failed to pay municipal rates and taxes or municipal service charges and such rates, taxes and charges are in arrears for more than three months;
 - b) Failed, during the last five years, to perform satisfactorily on a previous contract with the Vhembe District Municipality or any other organ of State after written notice was given to that bidder that performance was unsatisfactory;
 - c) Abused the supply chain management system of the Municipality or have committed any improper conduct in relation to this system;
 - d) Been convicted of fraud or corruption during the past five years;
 - e) Willfully neglected, reneged on or failed to comply with any government, municipal or other public sector contract during the past five years; or.
 - f) Been listed in the Register for Tender Defaulters in terms of section 29 of the Prevention and Combating of Corrupt Activities Act (No. 12 of 2004) or has been listed on National Treasury's database as a person prohibited from doing business with public sector.

VHEMBE DISTRICT MUNICIPALITY

CONTENTS OF TENDER DOCUMENTATION

Volume 1: Tender requirements, Contract and Pricing Data		
Number	Heading	Colour
Part T1: Tendering procedures		
T1.1	Tender Notice and Invitation to Tender	White
T1.2	Tender Data	Pink
T1.3	Standard and Particular Conditions of Tender	Pink
Part T2: Returnable Documents		
T2.1	List of Returnable Documents	Yellow
T2.2	Returnable Schedules	Yellow
Part C1: Agreements and Contract Data		
C1.1	Form of Offer and Acceptance	White
C1.2	Contract Data	White
C1.3	Forms for Adjudicators Appointment	White
C1.4	Occupational Health and Safety Agreement	White
Part C2: Pricing data		
C2.1	Pricing Instructions	Yellow
C2.2	Bill of Quantities	Yellow
Part C3: Scope of Work		
C3.1	Description of the Works	Blue
C3.2	List of Drawings	Blue
C3.3	Procurement	Blue
C3.4	Construction	Blue
C3.5	Variations and Additions to SABS 1200 Standardized Specifications for Civil Engineering Construction	Blue
C3.6	Particular Specifications – Civil and Building Work	Blue
C3.7	Health and Safety Specifications	Blue
C3.8	Environmental Management during Construction	Blue
C3.9	Management of the Works	Blue
Part C4: Site information		
C4	Site Information	Green

T1.1 TENDER NOTICE AND INVITATION TO TENDER

VHEMBE DISTRICT MUNICIPALITY



T1.1 TENDER NOTICE AND INVITATION TO TENDER

CONTRACT NUMBER: VDM/TECH/04/05/2026/01

WATER SUPPLY AND BULK WATER RETICULATION OF NGWENANI THEMELI, NGULUMBI, NGOVHELA BACKSIDE, MADAMALALA, PHINDULA, MAEMBENI AND MULEDZHI

PHASE 2D (NGWENANI THEMELI)

Bids are hereby invited for water reticulation at Ngwenani Themeli Village

Contract Number	CIDB grade	Description of Service	Closing Date
VDM/TECH/04/05/2026/01	7CE or Higher	WATER SUPPLY AND BULK WATER RETICULATION OF NGWENANI THEMELI, NGULUMBI, NGOVHELA BACKSIDE, MADAMALALA, PHINDULA, MAEMBENI AND MULEDZHI PHASE 2D (NGWENANI THEMELI)	21 st July 2026 at 12h00

Suitable service providers are invited to tender for Water Supply And Bulk Water Reticulation Of Ngwenani Themeli, Ngulumbi, Ngovhela Backside, Madamalala, Phindula, Maembeni And Muledzhi **PHASE 2D (NGWENANI THEMELI)**. Bidders are requested to bid as per specification attached to the bid documents that will be obtainable on 08th June 2026 at the Offices of Vhembe District Municipality in Thohoyandou upon payment of a non-refundable amount of R 2077.00 or freely Downloaded in the Vhembe District Municipality Website

An official and compulsory site inspection will be held on the 18th June 2026 at 10h00 Bidders are requested to meet at the entrance of Vhembe District Municipality

The Council also reserves the right to negotiate further conditions and requirements with the successful bidder.

Complete Bid document, fully priced and signed must be sealed in an envelope marked "CONTRACT NUMBER: VDM/TECH/04/05/2026/01" Water Supply And Bulk Water Reticulation Of Ngwenani Themeli, Ngulumbi, Ngovhela Backside, Madamalala, Phindula, Maembeni And Muledzhi **PHASE 2D (NGWENANI THEMELI)** Closing date 21st July 2026 at 12h00 and should be deposited in the tender box at the Vhembe District Municipality Offices, next to Khoroni Hotel (Former Venda Task Hotel), not later than 12h00 on the 21st July 2026 The Bid box is generally open 24 hours, 7 days a week. Bidders should ensure that bids are delivered timeously to the correct address.

If the bid is late, it will not be accepted for consideration.

THIS BID IS SUBJECT TO THE, PREFERENTIAL PROCUREMENT POLICY FRAMEWORK ACT AND THE PREFERENTIAL PROCUREMENT REGULATION, 2011, AND THE GENERAL CONDITIONS OF CONTRACT FOR CONSTRUCTION WORKS (Second Edition) (2010).

The Municipality shall adjudicate and award bids in accordance with B-BBEE status level of contribution on 80/20 point system, 80 points for the price and 20 points for contribution. Prospective bidders must accept that the bid will be adjudicated, according to the said legislation. Bids will remain **valid for 90 (ninety) days**.

N.B: NO BIDS WILL BE CONSIDERED FROM PERSONS IN THE SERVICE OF THE STATE (as defined in Regulation 1 of the Local Government: Municipal supply chain Management Regulations)

Only bidders who are registered in the relevant contractor category in the Construction Industry Development Board Register of Contractors will be considered. This requirement will remain in force as long as it is a requirement of the CIDB:7CE or Higher

With Joint Ventures, all companies, which are part of the joint venture, must be registered with the CIDB. The Joint Venture that meets the grading for the bid will be considered.

Technical Enquiries related to this bid should be addressed to Mr Maluleke W at telephone number 015 960 2000

Administrative Enquiries can be directed to Supply Chain Practitioners of Vhembe District Municipality at telephone number (015) 960 2129/ 2030/ 2031/ 2032 & 2033

Mr Kutama Z N
MUNICIPAL MANAGER

T1.2 TENDER DATA

WATER SUPPLY AND BULK WATER RETICULATION OF NGWENANI THEMELI, NGULUMBI, NGOVHELA BACKSIDE, MADAMALALA, PHINDULA, MAEMBENI AND MULEDZHI

PHASE 2D (NGWENANI THEMELI)

T1.2 Tender Data

1. CONDITIONS OF TENDER

The conditions of tender are the Standard Conditions of Tender as contained in Annex F of the CIDB Standard for Uniformity in Construction Procurement (SFU) of May 2010, as published in Government Gazette No 33239, Board Notice 86 of 2010 of 28 May 2010. Those Standard Conditions of Tender remained the same as those published in the previous edition of the SFU as published in Government Gazette No 31823, Board Notice 12 of 2009 of 30 January 2009 - See www.cidb.org.za.

Each Tenderer shall obtain its own copy of the Standard Conditions of Tender.

The Standard Conditions of Tender make several references to the Tender Data for details that apply specifically to this tender. In the interpretation of any ambiguity or inconsistency between the Tender Data and the Standard Conditions of Tender, the Tender Data shall have precedence.

Each item of data given below is cross-referenced to the clause in the Standard Conditions of Tender to which it mainly applies.

Clause number	Tender Data
<p>2. <u>EMPLOYER</u> Cl. F.1.1</p>	<p>The “Employer” is “Vhembe District Municipality”</p> <p>The Employer’s domicilium citandi et executandi (permanent physical business address) is: Vhembe District Municipality, Old Parliament, Government Complex, Tusk Venda Street, Thohoyandou</p> <p>The Employer’s address for communication relating to this project is: Private Bag x5006, Thohoyandou, 0950</p>
<p>3. <u>TENDER DOCUMENTS</u> Cl. F.1.2</p>	<p>“The following documents form part of this tender:</p> <p>VOLUME 1</p> <p>Part T1 Tendering procedures</p> <p>T1.1 Tender notice and invitation to tender</p> <p>T1.2 Tender data</p> <p>T1.3 Standard and Particular conditions to tender</p> <p>Part T2 Returnable Documents</p> <p>T2.1 List of Returnable Documents</p> <p>T2.2 Returnable Schedules that will be incorporated into the Contract</p> <p>Part C1 Agreements and Contract Data</p> <p>C1.1 Form of offer and acceptance</p> <p>C1.2 Contract data</p> <p>C1.3 Form for Adjudicators Appointment</p> <p>C1.4 Agreement in terms of Occupational Health and Safety</p> <p>Part C2 Pricing Data</p> <p>C2.1 Pricing Instructions</p> <p>C2.2 Bill of Quantities</p> <p>Part C3 Scope of Work</p> <p>C3.1 Description of the Works</p> <p>C3.2 List of Drawings</p> <p>C3.3 Procurement</p> <p>C3.4 Construction</p> <p>C3.5 Variations and Additions to SABS 1200 Standardized Specifications</p> <p>C3.6 Particular Specifications</p>

Clause number	Tender Data
	<p>determined hereafter) in respect of each alternative offer or design shall accompany the alternative tender offer and shall be endorsed fully by a third party registered engineer, accomplished in such specific field of practice.</p> <p>5.4.2. <u>Preliminary calculations</u></p> <p>Preliminary calculations for an alternative design shall be submitted with the tender. Such calculations shall give adequate details so as to enable an assessment to be made of the general efficacy of the design and of its principal elements, also of the degree to which the design prescriptions and codes of the Employer are being complied with. The calculations shall be clear and in a logical sequence and shall clearly reflect all the design assumptions.</p> <p>5.4.3. <u>Preliminary drawings</u></p> <p>Preliminary drawings of the alternative designs shall also be submitted with the tender. These drawings shall comprise adequate layout plans, elevations and sections and shall clearly illustrate the general efficacy of the design and its principal elements.</p> <p>5.4.4. <u>Quantities</u></p> <p>Each alternative offer shall be accompanied by a modified priced schedule of quantities compiled in accordance with the specifications, in so far as it is applicable, which clearly shows the manner in which the price for the alternative offer has been determined and the items in the original schedule of quantities which fall away or are being changed. In addition to the schedule of quantities, a set of calculations shall be supplied to show how the quantities have been determined. All assumptions in regard to factors which will determine quantities shall be clearly and conspicuously marked by underlining or colouring, and shall indicate whether or not the assumptions have been based on information furnished in the Contract Data (with the necessary references).</p> <p>5.4.5. <u>Further details</u></p> <p>Should the Employer's Agent find that the calculations and drawings submitted for alternative designs are not complete enough for proper adjudication of the alternative designs, the Employer reserves to itself the right to call on the Tenderer to submit such further calculations and drawings as may be required. If such further details are not submitted within ten days of having been requested, the alternative designs will not be given further consideration.</p> <p>5.4.6. <u>Preliminary adjudication of alternative designs</u></p> <p>The Employer's Agent will undertake a preliminary scrutiny of any alternative designs for compliance with the specified requirements of the Employer. Should he find any mistakes or unsatisfactory aspects, he may afford the Bidder the opportunity to rectify them within a period to be determined by the Employer's Agent. However, it is emphasized that the preliminary scrutiny of the design and tender by the Employer's Agent, by its very nature, cannot be comprehensive, and no guarantee can be given in this regard that all the mistakes made by the Bidder will in fact be detected. Any correction of such mistakes shall be made with the tender price of the bidder being retained, and, wherever necessary, the priced schedule of quantities for the alternative design shall be adjusted accordingly.</p> <p>5.4.7. <u>Acceptance of alternative design</u></p> <p>The Bidder shall note that the acceptance of a tender which includes alternative designs shall mean that the alternative designs have been approved in principle</p>

Clause number	Tender Data
	<p>only. If the final calculations, drawings and details do not comply with the specified requirements, such alternative designs may be rejected, unless they are suitably amended by the Bidder so as to be acceptable to the Employer.</p> <p>5.4.8. <u>Final drawings and calculations and the priced schedule of quantities</u></p> <p>Where a tender with an alternative design has been accepted, the Contractor shall, not less than two months before he intends starting with the construction of such design, submit to the Employer's Agent a complete set of working drawings, detailed calculations and a complete schedule of quantities, for approval. The schedule of quantities shall be based on the preliminary schedule of quantities, but with the necessary adjustments in quantities and prices and with the tendered price for the alternative design being retained.</p> <p>Within three weeks of having received the above, the Employer's Agent will indicate which drawings, calculations, quantities, prices and other particulars are acceptable to him and which not, with reasons furnished. The Contractor shall then submit to the Employer's Agent in good time any modified drawings and other particulars for approval, for which he will require two weeks. Any delay arising from the fact that the amended particulars do not meet the requirements shall be the responsibility of the Contractor.</p> <p>No work which will be affected by an alternative design may be commenced, unless the drawings, schedule of quantities and prices for such alternative design have been approved. Should the Contractor fail to modify any drawings, calculations, quantities, prices or any other particulars to the satisfaction of the Employer's Agent, the alternative design will be rejected and the original design shall be constructed for the same amount as has been tendered for the alternative design.</p> <p>5.4.9. <u>Responsibility for alternative design</u></p> <p>The approval of a design by the Employer's Agent shall not in any way relieve the Bidder of his responsibility to produce a design which conforms in all respects to all the specified requirements and which will be suitable for the purpose envisaged. Should it appear later during construction or during the maintenance period that the design does not conform to the specified requirements, the Contractor only, shall be liable for any damage arising there from and he shall, at his own expense, do all the necessary work to ensure that the Works conforms to all the specified requirements.</p> <p>5.4.10. <u>Indemnity</u></p> <p>Once the alternative design has been approved, the Contractor shall indemnify and hold harmless the Employer, its agents and assigns, against all claims howsoever arising out of the said design whether in contract or delict.</p>
<p>5.1. <u>Submitting a Tender Offer</u> Cl. F2.13</p>	<p>5.5.1. <u>Whole of the Works</u> (Cl. F.2.13.1)</p> <p>Tenderers shall offer to provide for the whole of the Works identified.</p> <p>5.5.2. <u>Original tender documents</u> (Cl. F2.13.3)</p> <p>The original tender document, issued to the Bidder, shall be submitted in its entirety. No copies are required.</p>

Clause number	Tender Data
	<p>5.5.3. <u>Marking of Tender Submissions</u> (Cl. F.2.13.5)</p> <p>The complete tender documents shall be enclosed and sealed in a single envelope, marked:</p> <p>“CONTRACT NUMBER: VDM/TECH/04/05/2026/01 – WATER SUPPLY AND BULK WATER RETICULATION OF NGWENANI THEMELI, NGULUMBI, NGOVHELA BACKSIDE, MADAMALALA, PHINDULA, MAEMBENI AND MULEDZHI</p> <p>PHASE 2D (NGWENANI THEMELI)</p> <p>The Employer’s address for delivery of tender offers to be shown on each tender submission package is the Tender Box located at: Vhembe District Municipality</p> <p>5.5.4. <u>Two envelope system</u> (Cl. F.2.13.6)</p> <p>A two-envelope procedure will not be followed.</p> <p>5.5.5. <u>Closing time</u> (Cl. F.2.15)</p> <p>The closing time for submission of tender offers is: 21st July 2026</p> <p>Telegraphic, telephonic, telex, facsimile, e-mail, electronic and late tender offers will not be accepted.</p> <p>5.5.6. <u>Tender offer validity</u> (Cl. F.2.16)</p> <p>The tender offer validity period is 90 days after tender closing date.</p> <p>5.5.7. <u>Clarification of tender offer after submission</u> (Cl. F.2.17)</p> <p>Delete the last part of the second sentence, commencing with the word “and”. Furthermore, delete the last two sentences of Cl. F.2.17.</p> <p>Add the following sentence: “The rates stated by the Bidder shall be binding”.</p> <p>5.5.8. <u>Provide other Material</u> (Cl. F.2.18.1)</p> <p>Upon request by the Employer, the Bidder shall promptly supply any other material that has a bearing on the tender offer, the bidder’s commercial position (including, where applicable, notarized joint venture agreements), preferencing arrangements, or samples of materials, considered necessary by the Employer for the purpose of a full and fair assessment. Should the Bidder not provide the information or material called for, by the time for submission stated in the Employer’s request, the Employer will regard the tender offer as being non-responsive</p> <p>5.5.9. <u>Certificates</u> (Cl. F.2.23)</p> <p>The following certificates are to be provided with this tender:</p> <p>a) Valid CSD Number</p>

Clause number	Tender Data
	<p>b) Compensation Fund registration certificate c) Certificate of Contractor Registration issued by the Construction Industry Development Board or a copy of the application Form for registration in terms of the Construction Industry Development Board Act (Form F006). A minimum grading of 7CE or Higher is required.</p> <p>Important Note: Failure to provide the required particulars as per the above-listed certificates implies a non-responsive tender and warrants rejection of the tender on account of non-compliance with the requirements of the Tender Data</p>
<p>6. EMPLOYER'S UNDERTAKING</p>	
<p>6.1. Opening of Tender Submissions Cl. F3.4</p>	<p>The time and location for opening of the tender offers are: 12h00 on the 21st July 2026 Location: Vhembe District Municipality Offices, next to Khoroni Hotel (Former Venda Task Hotel)</p>
<p>6.2. Arithmetical Errors Cl. F.3.9.1</p>	<p>Delete paragraphs (b) and (c) of Cl. F.3.9.1 and replace with:</p> <p>b) If a bill of quantities (or schedule of quantities or schedule of rates) applies and there is an error in the line item resulting from the product of the unit rate and the quantity, the rate shall be binding and the error of extension as entered in the tender offer will be corrected by the Employer in determining the Contract Price.</p> <p>c) Where there is an error in addition, either as a result of other corrections required by this checking process or in the Bidder's addition of prices, such error will be corrected by the Employer in determining the Contract Price.</p> <p>d) The Contract Price for the completed Contract shall be computed from the actual quantities of authorised work done and compliant with the Contract Data, valued at rates contracted against the respective items in the bill of quantities, schedule of Quantities or schedule of rates and shall include such authorised Provisional Sums and items of extra work as have become payable in terms of the Contract Data.</p>
<p>7. ACCEPTANCE OF TENDER OFFER Cl. F3.13</p>	<p>Tender offers will only be accepted if:</p> <p>a) The bidder has in his or her possession a valid CSD number;</p> <p>b) The bidder is registered with the Construction Industry Development Board in an appropriate contractor grading designation. A minimum grading of 7CE or Higher is required for the main contractor.</p> <p>c) The bidder has demonstrated previous experience with the type of work required under this contract having successfully completed a project of similar scope and size</p> <p>d) The bidder or any of its principals is not listed on the Register of Tender Defaulters in terms of the Prevention and Combating of Corrupt Activities Act of 2004 as a person prohibited from doing business with the public sector; and</p> <p>e) The bidder has not abused the Employer's Supply Chain Management System.</p>

Clause number	Tender Data
	<p>f) The bidder has not failed to perform on any previous contract.</p> <p>g) has complete the Compulsory Enterprise Questionnaire and there are no conflicts of interest which may impact on the bidder's ability to perform the contract in the best interests of the employer or potentially compromise the tender process.</p>
<p>8. <u>PROVIDE COPIES OF THE CONTRACT DOCUMENT</u> CI. F.3.18</p>	<p>The number of paper copies of the signed Contract to be provided by the Employer to the successful bidder is one</p>

**ANNEXURE A
SUPPLY CHAIN MANAGEMENT
EVALUATION PROCESS AND CRITERIA**

The following evaluation process and criteria will be used to evaluate all bids submitted:

1. Administrative Compliance – Phase One

1.1 All bids duly lodged will be examined to determine compliance with bidding requirements and conditions. Bids with obvious deviations from the requirements/conditions, will be eliminated from further evaluation.

1.2 Critical Criteria:

The following critical criteria have been identified for this bid and any noncompliance thereto will lead to the bid being regarded as non-responsive and disqualified from further evaluation:

- CSD Summary Report
- Tax clearance compliance status letter or tax clearance compliance number.
- Company Registration Certificate.
- Proof of purchased tender document receipt (for only purchased tender documents)
- CIDB grading certificate were necessary.
- Bidders certified copy of ID Document.
- All Pages of the Bid document must be initialed.
- Compulsory site inspection attended.
- Completed and signed declaration on past SCM practices form.
- Compulsory enterprise questionnaire completed.
- Signed J/V agreement must be attached (Where applicable).
- Proof of Municipal Rates and Taxes or letter for Tribal Authority or lease agreement must be attached (Not older than 3 months).
- submit Audited Financial Statements (**AFS**)
- Signing of the declaration of interest form (**MBD4**).

2. Functionality – Phase Two

The bidders who complied administratively are considered for further evaluation on ability to execute the project.

The assessment of functionality will be done in terms of the evaluation criteria and minimum threshold as specified. A bid will be disqualified if it fails to meet the minimum threshold for functionality as per the bid invitation.

1. A. Company's Experience & References (15)

No.	Target goals	Weighting	Score
	Name reference with contact details (Projects involving bulk water pipeline with a minimum of 160 mm valued at R10million and above per project) for the previous ten years		
1.		05	
2.		05	
3.		05	
	SUBTOTAL: Experience & References	15	

1. B. Company's Experience & References (15)

No.	Target goals Name reference with contact details (Projects involving water reticulation valued at R10million and above per project) for the previous ten years	Weighting	Score
1.		05	
2.		05	
3.		05	
	SUBTOTAL: Experience & References	15	

Note: Please attach appointment letters and signed completion certificate issued by the client as proof for having completed such project.

If the service provider is sub contracted the main contractor's appointment letter and completion certificate should be attached, together with the appointment letter of the subcontractor and completion certificate of the work done by the subcontractor

NB: Only experience from water service authority or water service provider institutions will be recognized

2. Representative experience

No.	Target goal (attach CV & Certified copy of Qualifications)	Weighting	Score
1.	Contract manager in water reticulation / Bulk pipeline A. Water Reticulation/Bulk water supply 5 years and above = 8 1-4 years = 4	8	
2.	Site agent in in water reticulation/Bulk pipeline A. Water Reticulation/Bulk water supply 5 years and above = 6 1-4 years = 3	6	
3.	Foreman in in water reticulation /Bulk pipeline A. Water Reticulation/Bulk water supply 5 years and above = 4 1-4 years = 2	4	
4.	Health & Safety Officer years' experience as OHS in water reticulation/Bulk pipeline and concrete reservoir	4	

	A. Water Reticulation/Bulk water supply 5 years and above = 4 1 year-4 years = 2		
	SUBTOTAL: Representative experience	22	

Note: Project organogram of the project team must be attached. Curriculum vitae with certified copies of qualifications and contact details should be attached to the tender document for verification by the clients.

NB foreign qualifications certified copies from SAQA must also be attached.

3. Representative Qualification

No.	Target goals	Weighting	Score
1.	Contract Manager BSc/B.Tech or higher in civil = 4 National Diploma civil=3	4	
2.	Site Agent BSc/B.Tech or higher in civil = 3 National Diploma civil=2 Certificate=1	3	
3	Foreman National Diploma in civil=2 Certificate=1	2	
4	Health and Safety Certificate in safety management =1	1	
	SUBTOTAL: Representative Qualification	10	

Note: Project organogram of the project team should be attached. Curriculum vitae with certified copies of qualifications and contact details should be attached to the tender document for verification by the clients.

NB foreign qualifications certified copies from SAQA must also be attached.

4. Financial Reference

No.	Target goals	Weighting	Score
1.	Tenderer submitted bank details proof attached	2	

2.	Bank rating "C" or better	3	
3.	Registered financial institution's full details as guarantor in the amount of 10% as specification for surety purposes shall be submitted	3	
	SUBTOTAL: Financial references	8	

5. Plants & Equipment

No.	Target goals	Weighting	Score
1.	Excavator	10	
2.	4 Ton truck	5	
3.	TLB	5	
4.	Water Tanker	5	
5.	Tipper Truck (6-10m ³)	5	
	SUBTOTAL: Plant & equipment	30	

Note: Proof of ownership to be submitted with tender. If plant will be hired, a signed letter from plant Hire Company confirming availability to the service provider for this particular contract and the ownership documents from the hiring company

1. Summary of table 1-5

No.	Summary of tables	Weighting	Score
1.	Experience & References	30	
2.	Representative experience	22	
3.	Financial references	8	
4.	Representative Qualifications	10	
5.	Plants & Equipment	30	
	Sub-Total	100	
	PRICE	80	
	Specific Goals	20	
	HDI-CSD	10	
	Locality -04 points within the district -02 points within Limpopo province -01 point within south Africa(CSD report will be used to verify the locality of the bidder	4	
	Youth-ID or CSD	02	
	Women -ID or CSD	02	
	Disability(attach proof from the doctor-medical certificate	02	

NB: Functionality will be scored out of 100 and Bidders who do not reach the 70% threshold will not be evaluated further.

3 Business Registration

Prospective bidders shall be registered:

- (a) With the South African Revenue Services for all categories of taxes applicable to it.
- (b) With the Compensation Commissioner
- (c) With the Construction Industry Development Board. (A minimum grading of 7CE or Higher is required).

4 Acceptance of Tender Offer (Cl. F3.13)

Tender offers will only be accepted if:

- a) Provide a Central Supplier Database (CSD) number.
- b) The bidder is registered with the Construction Industry Development Board in an appropriate contractor grading designation. (A minimum grading of 7CE is required);
- c) the bidder or any of its principals is not listed on the Register of Tender Defaulters in terms of the Prevention and Combating of Corrupt Activities Act of 2004 as a person prohibited from doing business with the public sector; and
- d) The bidder has not abused the Employer's Supply Chain Management System.
- e) The bidder has not failed to perform on any previous contract.
- f) has complete the Compulsory Enterprise Questionnaire and there are no conflicts of interest which may impact on the bidder's ability to perform the contract in the best interests of the employer or potentially compromise the tender process.

5. Provide copies of the Contract Document (Cl. F3.18)

The number of paper copies of the signed Contract to be provided by the Employer to the successful bidder is **one**

Annexure A: Standard Conditions of Tender

F.1 General

F.1.1 Actions

The employer and each tenderer submitting a Tender offer shall comply with these conditions of Tender. In their dealings with each other, they shall discharge their duties and obligations as set out in F.2 and F.3, timeously and with integrity, and behave equitably, honestly and transparently.

F.1.2 Tender Documents

The documents issued by the employer for the purpose of a Tender offer are listed in the Tender data.

F.1.3 Interpretation

F.1.3.1 The Tender data and additional requirements contained in the Tender schedules that are included in the returnable documents are deemed to be part of these conditions of Tender.

F.1.3.2 These conditions of Tender, the Tender data and Tender schedules which are only required for Tender evaluation purposes, shall not form part of any contract arising from the invitation to Tender.

F.1.3.3 For the purposes of these conditions for the calling for expressions of interest, the following definitions apply:

- a) **Comparative offer** means the Tenderer's financial offer after the factors of non-firm prices, all unconditional discounts and any other Tendered parameters that will affect the value of the financial offer have been taken into consideration
- b) **corrupt practice** means the offering, giving, receiving or soliciting of anything of value to influence the action of the employer or his staff or agents in the Tender process; and
- c) **Fraudulent practice** means the misrepresentation of the facts in order to influence the Tender process or the award of a contract arising from a Tender offer to the detriment of the employer, including collusive practices intended to establish prices at artificial levels
- d) **Quality (functionality)** means the totality of features and characteristics of a product or service that bear on its ability to satisfy stated or implied needs

F.1.4 Communication and employer's agent

Each communication between the employer and a Tenderer shall be to or from the employer's agent only, and in a form that can be read, copied and recorded. Writing shall be in the English language. The employer shall not take any responsibility for non-receipt of communications from or by a Tenderer. The name and contact details of the employer's agent are stated in the Tender data.

F.1.5 The employer's right to accept or reject any Tender offer

F.1.5.1 The employer may accept or reject any variation, deviation, Tender offer, or alternative Tender offer, and may cancel the Tender process and reject all Tender offers at any time before the formation of a contract. The employer shall not accept or incur any liability to a Tenderer for such cancellation and rejection, but will give written reasons for such action upon written request to do so.

F.1.5.2 The employer may not subsequent to the cancellation or abandonment of a Tender process or the rejection of all responsive Tender offers re-issue a Tender covering substantially the same scope of work within a period of six months unless only one Tender was received and such Tender was returned unopened to the Tenderer.

F.2 Tenderer's obligations

F.2.1 Eligibility

Submit a Tender offer only if the Tenderer satisfies the criteria stated in the Tender data and the Tenderer, or any of his principals, is not under any restriction to do business with employer.

F.2.2 Cost of Tendering

Accept that the employer will not compensate the Tenderer for any costs incurred in the preparation and submission of a Tender offer, including the costs of any testing necessary to demonstrate that aspects of the offer satisfy requirements.

F.2.3 Check documents

Check the Tender documents on receipt for completeness and notify the employer of any discrepancy or omission.

F.2.4 Confidentiality and copyright of documents

Treat as confidential all matters arising in connection with the Tender. Use and copy the documents issued by the employer only for the purpose of preparing and submitting a Tender offer in response to the invitation.

F.2.5 Reference documents

Obtain, as necessary for submitting a Tender offer, copies of the latest versions of standards, specifications, conditions of contract and other publications, which are not attached but which are incorporated into the Tender documents by reference.

F.2.6 Acknowledge addenda

Acknowledge receipt of addenda to the Tender documents, which the employer may issue, and if necessary apply for an extension to the closing time stated in the Tender data, in order to take the addenda into account.

F.2.7 Clarification meeting

Attend, where required, a clarification meeting at which Tenderers may familiarize themselves with aspects of the proposed work, services or supply and raise questions. Details of the meeting(s) are stated in the Tender data.

F.2.8 Seek clarification

Request clarification of the Tender documents, if necessary, by notifying the employer at least five working days before the closing time stated in the Tender data.

F.2.9 Insurance

Be aware that the extent of insurance to be provided by the employer (if any) might not be for the full cover required in terms of the conditions of contract identified in the contract data. The Tenderer is advised to seek qualified advice regarding insurance.

F.2.10 Pricing the Tender offer

F.2.10.1 Include in the rates, prices, and the Tendered total of the prices (if any) all duties, taxes (except Value Added Tax (VAT), and other levies payable by the successful Tenderer, such duties, taxes and levies being those applicable 14 days before the closing time stated in the Tender data.

F.2.10.2 Show VAT payable by the employer separately as an addition to the Tendered total of the prices.

F.2.10.3 Provide rates and prices that are fixed for the duration of the contract and not subject to adjustment except as provided for in the conditions of contract identified in the contract data.

F.2.10.4 State the rates and prices in Rand unless instructed otherwise in the Tender data. The conditions of contract identified in the contract data may provide for part payment in other currencies.

F.2.11 Alterations to documents

Not make any alterations or additions to the Tender documents, except to comply with instructions issued by the employer, or necessary to correct errors made by the Tenderer. All signatories to the Tender offer shall initial all such alterations. Erasures and the use of masking fluid are prohibited.

F.2.12 Alternative Tender offers

F.2.12.1 Submit alternative tender offer only if a main tender offer, strictly in accordance with all the requirements of the tender document, is also submitted. The alternative tender offer is to be submitted with the main tender offer together with a schedule that compares the requirements of the tender document with the alternative requirements the tenderer proposes.

F.2.12.2 Accept that an alternative tender offer may be based only on the criteria stated in the tender data or criteria otherwise acceptable to the employer.

F.2.13 Submitting a Tender offer

F.2.13.1 Submit a Tender offer to provide the whole of the works, services or supply identified in the contract data and described in the scope of works, unless stated otherwise in the Tender data.

F.2.13.2 Return all returnable documents to the employer after completing them in their entirety, either electronically (if they were issued in electronic format) or by writing in black ink.

F.2.13.3 Submit the parts of the Tender offer communicated on paper as an original plus the number of copies stated in the Tender data, with an English translation of any documentation in a language other than English, and the parts communicated electronically in the same format as they were issued by the employer.

F.2.13.4 Sign the original and all copies of the Tender offer where required in terms of the Tender data. The employer will hold all authorized signatories liable on behalf of the Tenderer. Signatories for Tenderers proposing to contract as joint ventures shall state which of the signatories is the lead partner whom the employer shall hold liable for the purpose of the Tender offer.

F.2.13.5 Seal the original Tender offer and copy packages together in an outer package that states on the outside only the employer's address and identification details as stated in the Tender data.

F.2.13.6 Where a two-envelope system is required in terms of the Tender data, place and seal the returnable documents listed in the Tender data in an envelope marked "financial proposal" and place the remaining returnable documents in an envelope marked "technical proposal". Each envelope shall state on the outside the employer's address and identification details stated in the Tender data, as well as the Tenderer's name and contact address.

F.2.13.7 Seal the original Tender offer and copy packages together in an outer package that states on the outside only the employer's address and identification details as stated in the Tender data.

F.2.13.8 Accept that the employer will not assume any responsibility for the misplacement or premature opening of the Tender offer if the outer package is not sealed and marked as stated.

F.2.14 Information and data to be completed in all respects

Accept that Tender offers, which do not provide all the data or information requested completely and in the form required, may be regarded by the employer as non-responsive.

F.2.15 Closing time

F.2.15.1 Ensure that the employer receives the Tender offer at the address specified in the Tender data not later than the closing time stated in the Tender data. Proof of posting shall not be accepted as proof of delivery. The employer shall not accept Tender offers submitted by telegraph, telex, facsimile or e-mail, unless stated otherwise in the Tender data.

F.2.15.2 Accept that, if the employer extends the closing time stated in the Tender data for any reason, the requirements of these conditions of Tender apply equally to the extended deadline.

F.2.16 Tender offer validity

F.2.16.1 Hold the Tender offer(s) valid for acceptance by the employer at any time during the validity period stated in the Tender data after the closing time stated in the Tender data.

F.2.16.2 If requested by the employer, consider extending the validity period stated in the Tender data for an agreed additional period.

F.2.17 Clarification of Tender offer after submission

Provide clarification of a Tender offer in response to a request to do so from the employer during the evaluation of Tender offers. This may include providing a breakdown of rates or prices and correction of arithmetical errors by the adjustment of certain rates or item prices (or both). No change in the total of the prices or substance of the Tender offer is sought, offered, or permitted. The total of the prices stated by the Tenderer shall be binding upon the Tenderer.

Note: Sub-clause F.2.17 does not preclude the negotiation of the final terms of the contract with a preferred Tenderer following a competitive selection process, should the Employer elect to do so.

F.2.18 Provide other material

F.2.18.1 Provide, on request by the employer, any other material that has a bearing on the Tender offer, the Tenderer's commercial position (including notarized joint venture agreements), preferencing arrangements, or samples of materials, considered necessary by the employer for the purpose of a full and fair risk assessment. Should the Tenderer not provide the material, or a satisfactory reason as to why it cannot be provided, by the time for submission stated in the employer's request, the employer may regard the Tender offer as non-responsive.

F.2.18.2 Dispose of samples of materials provided for evaluation by the employer, where required.

F.2.19 Inspections, tests and analysis

Provide access during working hours to premises for inspections, tests and analysis as provided for in the Tender data.

F.2.20 Submit securities, bonds, policies, etc.

If requested, submit for the employer's acceptance before formation of the contract, all securities, bonds, guarantees, policies and certificates of insurance required in terms of the conditions of contract identified in the contract data.

F.2.21 Check final draft

Check the final draft of the contract provided by the employer within the time available for the employer to issue the contract.

F.2.22 Return of other Tender documents

If so instructed by the employer, return all retained Tender documents within 28 days after the expiry of the validity period stated in the Tender data.

F.2.23 Certificates

Include in the Tender submission or provide the employer with any certificates as stated in the Tender data.

F.3 The employer's undertakings**F.3.1 Respond to clarification**

Respond to a request for clarification received up to five working days before the Tender closing time stated in the Tender Data and notify all Tenderers who drew procurement documents.

F.3.2 Issue Addenda

If necessary, issue addenda that may amend or amplify the Tender documents to each Tenderer during the period from the date that Tender documents are available until seven days before the Tender closing time stated in the Tender Data. If, as a result a Tenderer applies for an extension to the closing time stated in the Tender Data, the Employer may grant such extension and, shall then notify all Tenderers who drew documents.

F.3.3 Return late Tender offers

Return Tender offers received after the closing time stated in the Tender Data, unopened, (unless it is necessary to open a Tender submission to obtain a forwarding address), to the Tenderer concerned.

F.3.4 Opening of Tender submissions

F.3.4.1 Unless the two-envelope system is to be followed, open valid Tender submissions in the presence of Tenderers' agents who choose to attend at the time and place stated in the Tender data.

Tender submissions for which acceptable reasons for withdrawal have been submitted will not be opened.

F.3.4.2 Announce at the meeting held immediately after the opening of Tender submissions, at a venue indicated in the Tender data, the name of each Tenderer whose Tender offer is opened, the total of his prices, preferences claimed and time for completion, if any, for the main Tender offer only.

F.3.4.3 Make available the record outlined in F.3.4.2 to all interested persons upon request.

F.3.5 Two-envelope system

F.3.5.1 Where stated in the Tender data that a two-envelope system is to be followed, open only the technical proposal of valid Tenders in the presence of Tenderers' agents who choose to attend at the time and place stated in the Tender data and announce the name of each Tenderer whose technical proposal is opened.

F.3.5.2 Evaluate the quality of the technical proposals offered by Tenderers, then advise Tenderers who remain in contention for the award of the contract of the time and place when the financial proposals will be opened. Open only the financial proposals of Tenderers, who score in the quality evaluation more than the minimum number of points for quality stated in the Tender data, and announce the score obtained for the technical proposals and the total price and any preferences claimed. Return unopened financial proposals to Tenderers whose technical proposals failed to achieve the minimum number of points for quality.

F.3.6 Non-disclosure

Not disclose to Tenderers, or to any other person not officially concerned with such processes, information relating to the evaluation and comparison of Tender offers, the final evaluation price and recommendations for the award of a contract, until after the award of the contract to the successful Tenderer.

F.3.7 Grounds for rejection and disqualification

Determine whether there has been any effort by a Tenderer to influence the processing of Tender offers and instantly disqualify a Tenderer (and his Tender offer) if it is established that he engaged in corrupt or fraudulent practices.

F.3.8 Test for responsiveness

F.3.8.1 Determine, on opening and before detailed evaluation, whether each Tender offer properly received:

- a) complies with the requirements of these Conditions of Tender,
- b) has been properly and fully completed and signed, and
- c) is responsive to the other requirements of the Tender documents.

F.3.8.2 A responsive Tender is one that conforms to all the terms, conditions, and specifications of the Tender documents without material deviation or qualification. A material deviation or qualification is one which, in the Employer's opinion, would:

- a) Detrimentally affect the scope, quality, or performance of the works, services or supply identified in the Scope of Work,
- b) Change the Employer's or the Tenderer's risks and responsibilities under the contract, or
- c) Affect the competitive position of other Tenderers presenting responsive Tenders, if it were to be rectified. Reject a non-responsive Tender offer, and not allow it to be subsequently made responsive by correction or withdrawal of the non-conforming deviation or reservation.

F.3.9 Arithmetical errors

F.3.9.1 Check responsive Tender offers for arithmetical errors, correcting them in the following manner:

- a) Where there is a discrepancy between the amounts in figures and in words, the amount in words shall govern.
- b) If bills of quantities (or schedule of quantities or schedule of rates) apply and there is an error in the line item total resulting from the product of the unit rate and the quantity, the line item total shall govern and the rate shall be corrected. Where there is an obviously gross misplacement of the decimal point in the unit rate, the line item total as quoted shall govern, and the unit rate shall be corrected.
- c) Where there is an error in the total of the prices either as a result of other corrections required by this checking process or in the Tenderer's addition of prices, the total of the prices shall govern and the Tenderer will be asked to revise selected item prices (and their rates if bills of quantities apply) to achieve the Tendered total of the prices.

F.3.9.2 Consider the rejection of a Tender offer if the Tenderer does not correct or accept the correction of his arithmetical errors in the manner described in F.3.9.1.

F.3.10 Clarification of a Tender offer

Obtain clarification from a Tenderer on any matter that could give rise to ambiguity in a contract arising from the Tender offer.

F.3.11 Evaluation of Tender offers

F.3.11.1 General

Appoint an evaluation panel of not less than three persons. Reduce each responsive Tender offer to a comparative offer and evaluate it using the Tender evaluation method that is indicated in the Tender Data and described below:

Method 1: Financial offer	1) Rank Tender offers from the most favourable to the least favourable comparative offer. 2) Recommend highest ranked Tenderer for the award of the contract, unless there are compelling and justifiable reasons not to do so.
Method 2: Financial offer and preferences	1) Score Tender evaluation points for financial offer. 2) Confirm that Tenderers are eligible for the preferences claimed and if so, score Tender evaluation points for preferencing. 3) Calculate total Tender evaluation points. 4) Rank Tender offers from the highest number of Tender evaluation points to the lowest. 5) Recommend Tenderer with the highest number of Tender evaluation points for the award of the contract, unless there are compelling and justifiable reasons not to do so.
Method 3: Financial offer and quality	1) Score quality, rejecting all Tender offers that fail to score the minimum number of points for quality stated in the Tender data. 2) Score Tender evaluation points for financial offer. 3) Calculate total Tender evaluation points. 4) Rank Tender offers from the highest number of Tender evaluation points to the lowest. 5) Recommend Tenderer with the highest number of Tender evaluation points for the award of the contract, unless there are compelling and justifiable reasons not to do so.
Method 4: Financial offer, quality and preferences	1) Score quality, rejecting all Tender offers that fail to score the minimum number of points for quality stated in the Tender data. 2) Score Tender evaluation points for financial offer. 3) Confirm that Tenderers are eligible for the preferences claimed, and if so, score Tender evaluation points for preferencing. 4) Calculate total Tender evaluation points. 5) Rank Tender offers from the highest number of Tender evaluation points to the lowest. 6) Recommend Tenderer with the highest number of Tender evaluation points for the award of the contract, unless there are compelling and justifiable reasons not to do so.

Score financial offers, preferences and quality, as relevant, to two decimal places.

F.3.11.2 Scoring Financial Offers

Score the financial offers of remaining responsive Tender offers using the following formula:

NFO = $W1 \times A$ where:
 NFO = the number of Tender evaluation points awarded for the financial offer.
 W1 = the maximum possible number of Tender evaluation points awarded for the financial offer as stated in the Tender Data.
 A = a number calculated using either formulas 1 or 2 below as stated in the Tender Data.

Formula	Comparison aimed at achieving	Option 1	Option 2
1	Highest price or discount	$A = (1 + \frac{P - P_m}{P_m})$	$A = P / P_m$
2	Lowest price or percentage commission / fee	$A = (1 - \frac{P - P_m}{P_m})$	$A = P_m / P$

where:

P_m = the comparative offer of the most favourable Tender offer.
 P = the comparative offer of Tender offer under consideration.

F.3.11.3 Scoring quality (functionality)

Score quality in each of the categories in accordance with the Tender Data and calculate total score for quality.

F.3.12 Insurance provided by the employer

If requested by the proposed successful Tenderer, submit for the Tenderer's information the policies and / or certificates of insurance which the conditions of contract identified in the contract data, require the employer to provide.

F.3.13 Acceptance of Tender offer

F.3.13.1 Accept Tender offer only if the Tenderer complies with the legal requirements stated in the Tender Data.

F.3.13.2 Notify the successful Tenderer of the employer's acceptance of his Tender offer by completing and returning one copy of the form of offer and acceptance before the expiry of the validity period stated in the Tender data, or agreed additional period. Providing the form of offer and acceptance does not contain any qualifying statements, it will constitute the formation of a contract between the employer and the successful Tenderer as described in the form of offer and acceptance.

F.3.14 Notice to unsuccessful Tenderers

After the successful Tenderer has acknowledged the employer's notice of acceptance, notify other Tenderers that their Tender offers have not been accepted.

F.3.15. Prepare contract documents

If necessary, revise documents that shall form part of the contract and that were issued by the employer as part of the Tender documents to take account of:

- a) addenda issued during the Tender period,
- b) inclusion of some of the returnable documents,
- c) other revisions agreed between the employer and the successful Tenderer, and
- d) the schedule of deviations attached to the form of offer and acceptance, if any.

F.3.16 Issue final contract

Prepare and issue the final draft of contract documents to the successful Tenderer for acceptance as soon as possible after the date of the employer's signing of the form of offer and acceptance (including the schedule of deviations, if any). Only those documents that the conditions of Tender require the Tenderer to submit, after acceptance by the employer, shall be included.

F.3.17 Complete adjudicator's contract

Unless alternative arrangements have been agreed or otherwise provided for in the contract, arrange for both parties to complete formalities for appointing the selected adjudicator at the same time as the main contract is signed.

F.3.18 Provide copies of the contracts

Provide to the successful Tenderer the number of copies stated in the Tender Data of the signed copy of the contract as soon as possible after completion and signing of the form of offer and acceptance.

A: SCHEDULE OF LABOUR CONTENT

The Tenderer must complete the table below to reflect the labour force anticipated to be employed on this contract, including labour employed by sub-contractors.

The specified target value is 5% of the contract value

Type of Labour	Man-hours	Minimum Wage Rate per Unit	Total Wage Cost (Excl VAT)
Permanent Labour			
Temporary Labour			
SMME/HDI's Labour			
TOTAL PERCENTAGE			
TOTAL PERCENTAGE			

Notes to Tenderer:

- (1) Labour is defined as hourly paid personnel.
- (2) The penalty will be applied for non-compliance during the contract or for fraudulent disclosure

SIGNED ON BEHALF OF THE TENDERER:

B: EMPLOYMENT OF AFFIRMATIVE BUSINESS ENTERPRISE (ABE)

Target values of work to be executed by and goods & services to be procured from ABEs shall be **10%**.

Schedule Item No	Name of ABE	Item Description/ Goods & Services to be provided	Value	
			Rands (Excl VAT)	% of Tender Sum (Excl VAT)
TOTAL				

Notes to tenderer:

1. Regardless whether the tenderer fits the classification of an SMME/PDI, as defined in Section 3.3 of this specification, the tenderer nevertheless retains the obligation to commit to the target values prescribed
2. Tenderers shall insert "unknown" if an SMME/PDI has not been selected prior to tender closing date.
3. The penalty will be applied for non-compliance during the contract or for fraudulent disclosure

SIGNED ON BEHALF OF THE TENDERER

B.1 EMPLOYMENT OF AFFIRMATIVE BUSINESS ENTERPRISE DECLARATION AFFIDAVIT (ABE).

It is understood and agreed that should this contract be awarded to me, an ABE Declaration Affidavit will be completed by each and every ABE employed by me on this contract and will be submitted to the Employer immediately upon demand by the Employer.

SIGNED ON BEHALF OF THE TENDERER

1. TRAINING

Name of Training Institution:

Name of Programme:

Trainer's Name	Qualification	Subject

Notes to tenderer:

Provide details here, or attach hereto, the subjects to be covered and the manner in which the training is to be delivered.

SIGNED ON BEHALF OF THE TENDERER.....

2. ENGINEERING SKILLS TRAINING

Name of Training Institution:

Name of Programme:

Trainer's Name	Qualification	Subject

Notes to tenderer:

1. Provide details here, or attach hereto, the subjects to be covered and the manner in which the training is to be delivered.
2. Provision should also include on-job student / (in-service) training for a period of not less than months at a monthly stipend of R

SIGNED ON BEHALF OF THE TENDERER

T2.1 LIST OF RETURNABLE DOCUMENTS

VHEMBE DISTRICT MUNICIPALITY



T2.1 List of Returnable Documents

The Tenderer must complete the following returnable documents:

1. Returnable Schedules required only for Tender evaluation purposes

- A. Certificate of Attendance at Site Clarification Meeting
- B. Certificate of Authority of Signatory
- C. Certificate of Registration with the Construction Industry Development Board
- D. Certificate of authority for joint ventures (where applicable)
- E. Compulsory Enterprise Questionnaire
- F. Record of Addenda to Tender Documents
- G. Proposed Amendments and Qualifications
- H. Form of Intent to Provide a Demand Guarantee
- I. Schedule of Subcontractors
- J. Schedule of Available Infrastructure, Resources and Experience
- K. Financial Information of the Tenderer
- L. Certificate for Municipal Services and Payments: Annexure B
- M. Authorisation for deduction of outstanding amounts owed to Council: Annexure C
- N. Invitation to Bid MBD 1
- O. Declaration of interest: MBD 4
- P. Declaration for procurement above R10 Million: MBD 5
- Q. Preference Points Claim Form In Terms Of The Preferential Procurement Regulations 2011
- R. Declaration certificate for local production and content: MBD 6.2
- S. Declaration of Tenderer's Past Supply Chain Management Practices: MBD 8
- T. Certificate of the Independent Tender Determination: MBD 9
- U. Compliance with OHS Act (Act 85 of 1993)
- V. Original Bank rating letter
- W. Day Works

2. Other documents required only for Tender evaluation purposes

- Compensation Fund Registration Certificate
- Curricula Vitae of Personnel
- Rates of Labour and Materials (Day work Rates)
- A valid CSD Certificate
- Schedule of Labour Content
- Employment of ABE'S
- ABE Declaration Affidavit
- Generic Training

- Complete MBD 5 where the Tender amount inclusive of VAT exceeds R 10 million:

3. Other documents that will be incorporated into the contract

- 3.1 The offer portion of the C1.1 Offer and Acceptance
- 3.2 C1.2 Contract Data (Part 2)
- 3.3 C2.2 Bills of Quantities

T2.2 RETURNABLE SCHEDULES

A. CERTIFICATE OF ATTENDANCE AT SITE CLARIFICATION MEETING

This is to certify that:

..... (Tenderer)

of (Address)

.....

was represented by the person(s) named below at the compulsory meeting held for all Tenderers at

..... (Location) on..... (Date), starting at.....

We acknowledge that the purpose of the meeting was to acquaint ourselves with the Site of the Works and/or matters incidental to doing the work specified in the Tender documents in order for us to take account of everything necessary when compiling our entire Tender submission.

Particulars of person(s) attending the meeting:

Name Signature.....

Capacity.....

Name Signature.....

Capacity.....

Note: All particulars above this horizontal divide line to be filled in by the Tenderer **prior to** signature by Employer's representative.



Attendance of the above persons at the meeting is confirmed by the representative of..... Consulting Services namely:

Name Signature

Capacity..... Date Time

B. CERTIFICATE OF AUTHORITY OF SIGNATORY

Indicate the status of the Tenderer by ticking the appropriate box hereunder. The Tenderer must complete the certificate set out below for the relevant category.

1	Company	<input type="checkbox"/>
---	---------	--------------------------

2	Partnership	<input type="checkbox"/>
---	-------------	--------------------------

3	Joint Venture	<input type="checkbox"/>
---	---------------	--------------------------

4	Sole Proprietor	<input type="checkbox"/>
---	-----------------	--------------------------

5	Close Corporation	<input type="checkbox"/>
---	-------------------	--------------------------

1. Certificate for company

Ichairperson of the board of directors of
, hereby confirm that by resolution of the board

(Copy attached) taken on 20....., Mr/Ms,

acting in the capacity of, was authorised to sign all documents in connection with this Tender and any contract resulting from it on behalf of the company.

As witnesses:

1.....

 Chairman

.....
 Print Name

 Print Name

2.....

 Date

.....
 Print Name

2. Certificate of partnership

We, the undersigned, being the key partners in the business trading as, hereby authorise Mr/Ms, acting in the capacity of, to sign all documents in connection with the Tender for Contract, and any contract resulting from it on our behalf.

Name	Address	Signature	Date

NOTE: This certificate is to be completed and **signed by each and all of the key partners** upon whom rests the direction of the affairs of the Partnership as a whole.

3. Certificate for Joint Venture

We, the undersigned, are submitting this Tender offer in Joint Venture and hereby authorize Mr/Ms, authorised signatory of the firm, acting in the capacity of lead partner, to sign all documents in connection with the Tender offer for Contract and any contract resulting from it on our behalf.

This authorisation is evidenced by the attached power of attorney signed by legally authorised signatories of all the partners to the Joint Venture.

Name of Firm	Address	Authorising	
		Signature	Name
Lead Partner			

4. Certificate for sole proprietor

I,, hereby confirm that I am the sole owner of the business trading as

As witnesses: -

1.
Signature: Sole Owner

.....
Print Name **Print Name**

2.
Date

.....
Print Name

5. Certificate for Close Corporation

We, the undersigned, being the key members in the business trading as hereby authorise Mr/Ms acting in the capacity of to sign all documents in connection with the Tender for Contract and any contract resulting from it on our behalf.

Name	Address	Signature	Date

Note: This Certificate is to be completed and signed by each and all of the key members upon whom rests the direction of the affairs of the Close Corporation as a whole.

C. CERTIFICATE OF REGISTRATION WITH THE CONSTRUCTION INDUSTRY DEVELOPMENT BOARD

1. General

The Register of Contractors is established by the Construction Industry Development Board in terms of the CIDB Act 38 of 2000 and Construction Industry Development Regulations as published in Government Gazette number 26427 of 2004.

The Act makes it mandatory for public sector clients to apply this register when considering Tenders. Any enterprise that submits a Tender or enters into contract for construction works with the public sector, must be registered.

Once-off joint ventures do not have to register, provided that each partner of the joint venture is separately registered.

2. Status

Tenderers shall fill in the following sections of this form, depending on their status:

2.1 Section A

Tenderers who have accomplished registration and can provide proof of their grading designation.

2.2 Section B

Tenderers who are in the process of registration of an update to an existing registration or a renewal.

2.3 Section C

Tenderers who have submitted the first application.

2.4 Section D

Tenderers submitting this Tender offer in Joint Venture and can provide proof that each partner of the Joint Venture is separately registered.

SECTION B

I, acting in capacity of
was authorised to sign all documents in connection with this tender an any contract resulting from
it on

behalf of the following entity:
hereby declare that the above mentioned entity has achieved registration with the Construction In-
dustry Development Board on date, furthermore declare that the
existing grading designation is:

Contract Value

Type of Work

and the following update has been applied for:

Amendment of category status	<input type="checkbox"/>
Change of Particulars	<input type="checkbox"/>
Annual confirmation of Particulars	<input type="checkbox"/>
Renewal of Registration	<input type="checkbox"/>

mark with "T"

.....
Signature of Tenderer

.....
Signature of Witness

.....
Print Name

.....
Print Name

SECTION C

I, acting in capacity of
was authorised to sign all documents in connection with this tender an any contract resulting from
it on

behalf of the following entity:
hereby declare that the above mentioned entity has submitted its FIRST APPLICATION FOR
REGISTRATION with the Contraction Industry Development board on date

I furthermore accept that failure to achieve registration with the Construction Industry Development
Board in a category stipulated in the Tender Data within 10 days from the date of closing this tender,
implies a non-responsive tender and warrants rejection of the Tender on account of non-compliance
with the requirements of the Tender Data.

.....
Signature of Tenderer

.....
Signature of Witness

.....
Print Name

.....
Print Name

SECTION D

I, acting in capacity of the LEAD PARTNER in the Joint Venture

.....
 was authorised to sign all documents in connection with this tender and any contract resulting from it, hereby declare that each partner of the Joint Venture is separately registered with the Construction Industry Development Board and declare that the grading designation is reflected in the following **symbols** on the registration certificates:

Name of Lead Partner:		
Contract Value		
Type of Work		

Name of 2 nd Partner:		
Contract Value		
Type of Work		

Name of 3 rd Partner:		
Contract Value		
Type of Work		

.....
 Signature of Tenderer

.....
 Signature of Witness

.....
 Print Name

.....
 Print Name

D. CERTIFICATE OF AUTHORITY FOR JOINT VENTURES (WHERE APPLICABLE)

Employer:

Contract Number:

NOTE 1 This form need only be completed in the event of a Joint Venture submitting this Tender.

NOTE 2 Fill in all the information requested in the spaces provided. Attach additional sheets if required.

NOTE 3 Provide a copy of the Joint Venture agreement. Demonstrate that the partners to the Joint Venture share in the ownership, control, management responsibilities, risks and profits of the Joint Venture. The Joint Venture agreement shall include specific details relating to:
a) the contributions of capital and equipment;
b) portions of the Contract to be performed by the partner's own resources; and
c) portions of the Contract to be performed under the supervision of each partner.

NOTE 4 Provide copies of all written agreements between partners concerning the Joint Venture, including those that relate to ownership options and to restrictions/limits regarding ownership and control.

1. Joint Venture Particulars

Name

Postal Address

Physical Address

.....

Telephone

Fax

Name of authorized representative

2. Identity of Partner No. 1

Name

Postal Address

Physical Address

.....

Telephone

Fax
Contact Person

3. Identity of Partner No. 2

Name

Postal Address

Physical Address

.....

Telephone

Fax

Contact Person

4. Identity of Partner No. 3

Name

Postal Address

Physical Address

.....

Telephone

Fax

Contact Person

5. Description of the role of the partners in the joint venture

Partner No. 1:

.....

Partner No. 2:

.....

Partner No. 3:

.....

6. Ownership of the joint venture

(i) Ownership percentage(s) Partner No. 1 %

- Partner No. 2 %
 - Partner No. 3 %
 - (ii) Partner percentage in respect of:
 - a) Profit and loss sharing:
 - Partner No. 1 %
 - Partner No. 2 %
 - Partner No. 3 %
 - b) Initial capital contribution
 - Partner No. 1 R.....
 - Partner No. 2 R.....
 - Partner No. 3 R.....
 - (iii) Anticipated ongoing capital contributions:
 - Partner No. 1 R.....
 - Partner No. 2 R.....
 - Partner No. 3 R.....
 - (iv) Contributions of equipment (specify types, quality and quantities of equipment) to be provided by each partner:
 - Partner No. 1:
 -
 - Partner No. 2:
 -
 - Partner No. 3:
 -

7. Recent contracts performed by partners in their own right or as partners in other joint ventures

- a) Partner No. 1
 - (i)
 - (ii)
 - (iii)
 - (iv)
 - (v)
- b) Partner No. 2

- (i)
- (ii)
- (iii)
- (iv)
- (v)

c) Partner No. 3

- (i)
- (ii)
- (iii)
- (iv)
- (v)

8. Control and participation in the joint venture

(Identify by name and firm those individuals who are, or will be, responsible for, and have authority to engage in the relevant management functions and policy and decision making, indicating any limitations in their authority, for example, co-signature requirements and monetary limits).

- a) Joint Venture cheque signing
-
-
-

- b) Authority to enter into contracts on behalf of the Joint Venture
-
-
-

- c) Signing, co-signing or collateralizing of loans
-
-
-

- d) Acquisition of lines of credit

.....
.....

e) Acquisition of demand bonds
.....
.....
.....

f) Negotiating and signing of labour agreements
.....
.....
.....

9. Management of the performance of the Contract
(Fill in the name and firm of the responsible person)

a) Supervision of field operations.....
.....

b) Major purchasing.....
.....

c) Estimating
.....

d) Technical management.....
.....

10. Management and control of the joint venture

a) Identify the managing partner
.....
.....
.....

b) What authority does each partner have to commit or obligate the other to financial institutions, insurance companies, suppliers, subcontractors or other parties participating in the performance of the contemplated works:

Partner No. 1:

.....
 Partner No. 2:

 Partner No. 3:

c) Describe the management structure for the joint venture's work under this Contract

Management Function/Designation	Name	Partner

11. Personnel

a) State the approximate number of operative personnel (by trade/function/discipline)

Trade/function/discipline	Number

needed to execute the Joint Venture contract.

b) State the number of operative personnel to be employed on the Contract who are currently in the employ of partners:

.....

c) State the number of operative personnel who are not currently in the employ of the respective partners and shall be engaged on the project by the Joint Venture:

.....

d) State the name of the individual who shall be responsible for hiring Joint Venture employees:

.....

e) State the name of the partner who shall be responsible for the preparation of Joint Venture payrolls:

.....

.....

12. Services

List the firms who provide the following services:

Service	Name	Contact Person	Telephone No.
Accounting			
Auditing			
Banking			
Insurance			
Legal			

13. Control and structure of the Joint Venture

Briefly describe the manner in which the Joint Venture is structured and controlled.

.....

.....

.....

The undersigned warrants that he/she is duly authorised to sign this Joint Venture disclosure form and affirms that the foregoing statements are correct and include all the material information necessary to identify and explain the terms and operations of the Joint Venture and the intended participation of each partner in the undertaking.

The undersigned further covenants and agrees to provide the Employer with complete and accurate information regarding actual joint venture work and the payment therefore, and any proposed changes in any provisions of the Joint Venture Agreement, and to permit the audit and examination of the books, records and files of the Joint Venture, or those of each partner relevant to the Joint Venture, by duly authorized representatives of the Employer.

Duly authorized to sign on behalf of:

..... (The Joint Venture)

Signature..... Print Name:

Name.....

Address.....

.....

Telephone.....

Date.....

Duly authorized to sign on behalf of.....

..... (Partner No. 1)

Signature..... Print Name:

Name.....

Address.....

.....

Telephone.....

Date.....

Duly authorized to sign on behalf of.....

..... (Partner No. 2)

Signature..... Print Name:

Name.....

Address.....

.....

Telephone.....

Date.....

Duly authorized to sign on behalf of:

..... (Partner No. 3)

Signature..... Print Name:

Name.....

Address.....

.....

Telephone.....

Date.....

E. COMPULSORY ENTERPRISE QUESTIONNAIRE

The following particulars must be furnished. In the case of a joint venture, **separate** enterprise questionnaires in respect of each partner must be completed and submitted.

Section 1: Name of enterprise

Section 2: VAT registration number, if any:

Section 3: CIDB registration number, if any:

Section 4: Particulars of sole proprietors and partners in partnerships

Name*	Identity number*	Personal income tax number*

* Complete only if sole proprietor or partnership and attach separate page if more than 3 partners

Section 5: Particulars of companies and close corporations

Company registration number

Close corporation number

Tax reference number

Section 6: Record in the service of the state

Indicate by marking the relevant boxes with a cross, if any sole proprietor, partner in a partnership or director, manager, principal shareholder or stakeholder in a company or close corporation is currently or has been within the last 12 months in the service of any of the following:

<input type="checkbox"/> a member of any municipal council <input type="checkbox"/> a member of any provincial legislature <input type="checkbox"/> a member of the National Assembly or the National Council of Province <input type="checkbox"/> a member of the board of directors of any municipal entity <input type="checkbox"/> an official of any municipality or municipal entity	<input type="checkbox"/> an employee of any provincial department, national or provincial public entity or constitutional institution within the meaning of the Public Finance Management Act, 1999 (Act 1 of 1999) <input type="checkbox"/> a member of an accounting authority of any national or provincial public entity <input type="checkbox"/> an employee of Parliament or a provincial legislature
--	---

If any of the above boxes are marked, disclose the following:

Name of sole proprietor, partner, director, manager, principal shareholder or stakeholder	Name of institution, public office, board or organ of state and position held	Status of service (tick appropriate column)	
		Current	Within last 12 months

*insert separate page if necessary

Section 7: Record of spouses, children and parents in the service of the state

Indicate by marking the relevant boxes with a cross, if any spouse, child or parent of a sole proprietor, partner in a partnership or director, manager, principal shareholder or stakeholder in a company or close corporation is currently or has been within the last 12 months been in the service of any of the following:

<input type="checkbox"/> a member of any municipal council <input type="checkbox"/> a member of any provincial legislature <input type="checkbox"/> a member of the National Assembly or the National Council of Province <input type="checkbox"/> a member of the board of directors of any municipal entity <input type="checkbox"/> an official of any municipality or municipal entity	<input type="checkbox"/> an employee of any provincial department, national or provincial public entity or constitutional institution within the meaning of the Public Finance Management Act, 1999 (Act 1 of 1999) <input type="checkbox"/> a member of an accounting authority of any national or provincial public entity <input type="checkbox"/> an employee of Parliament or a provincial legislature
--	---

Name of spouse, child or parent	Name of institution, public office, board or organ of state and position held	Status of service (tick appropriate column)	
		Current	Within last 12 months

*insert separate page if necessary

The undersigned, who warrants that he / she is duly authorised to do so on behalf of the enterprise:

- i) authorizes the Employer to obtain a tax clearance certificate from the South African Revenue Services that my / our tax matters are in order;
- ii) confirms that the neither the name of the enterprise or the name of any partner, manager, director or other person, who wholly or partly exercises, or may exercise, control over the enterprise appears on the Register of Tender Defaulters established in terms of the Prevention and Combating of Corrupt Activities Act of 2004;
- iii) confirms that no partner, member, director or other person, who wholly or partly exercises, or may exercise, control over the enterprise appears, has within the last five years been convicted of fraud or corruption;
- iv) confirms that I / we are not associated, linked or involved with any other Tendering entities submitting Tender offers and have no other relationship with any of the Tenderers or those responsible for compiling the scope of work that could cause or be interpreted as a conflict of interest; and
- iv) confirms that the contents of this questionnaire are within my personal knowledge and are to the best of my belief both true and correct.

Signed		Date	
Name		Position	
<i>Enterprise name</i>			

F. RECORD OF ADDENDA TO TENDER DOCUMENTS

We confirm that the following communications received from the Employer before the submission of this Tender offer, amending the Tender documents, have been taken into account in this Tender offer:

	Date	Title or Details
1.		
2.		
3.		
4.		
5.		
6.		
7.		
8.		

Attach additional pages if more space is required.

Signed		Date	
Name		Position	
Tenderer			

G. PROPOSED AMENDMENTS AND QUALIFICATIONS

The Tenderer should record any deviations or qualifications he may wish to make to the Tender documents in this Returnable Schedule. Alternatively, a Tenderer may state such deviations and qualifications in a covering letter to his Tender and reference such letter in this schedule.

The Tenderer's attention is drawn to clause F.3.8 of the Standard Conditions of Tender referenced in the Tender Data regarding the employer's handling of material deviations and qualifications.

Page	Clause or item	Proposal

Signed

Date

Name

Position

Tenderer

H. FORM OF INTENT TO PROVIDE A DEMAND GUARANTEE

If my/our Tender is accepted, I/we will, when required and within the time stipulated, provide a guarantee of

(*) Insurance Company (name)

(of address)

.....

(*) Commercial Bank (Name)

(Branch)

(of address)

.....

to be approved by you, the Employer, for the amount stipulated.

(*) : delete whichever is not applicable.

I/we understand that failure to produce an acceptable Demand Guarantee within the stipulated period is a fundamental breach of Contract, entitling the Employer to:

- (i) withhold all payments which may be due to the Contractor pending compliance with the stipulated requirements to produce an acceptable Demand Guarantee.
- (ii) instruct the Contractor to cease all work pending provision of the Demand Guarantee, and
- (iii) cancel the Contract.

Signed	Date
Print Name	Position
Tenderer		

I. SCHEDULE OF PROPOSED SUBCONTRACTORS

We notify you that it is our intention to employ the following Subcontractors for work in this contract. If we are awarded a contract, we agree that this notification does not change the requirement for us to submit the names of proposed Subcontractors in accordance with requirements in the contract for such appointments. If there are no such requirements in the contract, then your written acceptance of this list shall be binding between us.

We confirm that all Subcontractors who are contracted to construct a house are registered as home builders with the National Home Builders Registration Council.

	Name and address of proposed Subcontractor	Nature and extent of work	Previous experience with Subcontractor.
1.			
2.			
3.			
4.			
5.			
Signed		Date	
Name		Position	
Tenderer			

J. SCHEDULE OF AVAILABLE INFRASTRUCTURE, RESOURCES AND EXPERIENCE

1. Tenderer's List of Third Party Design Engineers

In the event that the Tenderer desires to design all or part of the Works or submit any alternative, he/she shall list here-following, the Design Engineers, accomplished in the specific field of practice, which he/she proposes to employ for the purpose of third party certification of all works designed by the Tenderer for the Works.

- Notes: (i) All costs of third party designs shall be borne solely by the Tenderer.
(ii) This Schedule must be accurately completed. Phrases such as "to be advised" will not be accepted.

Section of Works	Name and Address of Registered Engineer				ECSA Registration No.

2. Tenderer's Personnel Profile

Key Staff Permanently employed, of foreman level and above	Number of staff
Sub-Total	
Other Permanent Staff	Number of staff
Sub-Total	
Temporary Staff	Number of staff
Sub-Total	

3. **List the Firms who provide the following services:**

Service	Name	Contact Person	Telephone
Accounting			
Auditing			
Insurance			
Legal			

4. **Identify any amounts of money loaned to your enterprise, indicating the loan source, date and amount**

Loan Source	Address	Date of Loan	Loan Amount

5. **List a maximum of five contract which your enterprise is engaged in and has not yet completed**

Contract Description	Location	Client	Contract Amount	Expected Completion (month & year)

6. **List the four largest assignments completed by your enterprise in the last three years**

Nature of Work Performed	Client	Consultant Contact Person	Telephone No.	Contract Amount

7. **Address of workshop facilities from where maintenance of works will be undertaken**

.....

8. **Address of Branch Offices in the RSA**

.....

.....

9. **Address of Nearest Representative to Polokwane**

.....

.....

10. **Has work previously been performed for the Employer?** YES/NO* - Specify

.....

11. **Tenderer's Financial Ability to execute and complete the Works**

Provide the estimated cash flow on the project in terms of submissions of payment certificates or payment schedules of the Employer

NOTES APPLICABLE:

- (i) Value added tax to be included in all amounts
- (ii) Assume for the purpose of this estimate, payment of certificates within 30 days' after receipt by the Employer.
- (iii) In calculation of the last column,

$j = d$	$m = l + g$
$k = j + e$	$n = m + h$
$l = k + f$	etc
- (iv) Failure to detail the required information, shall automatically signify that the Tenderer lacks the infrastructure and resources necessary to execute and complete the Works

Month No. in Contract Period	Estimated amount in Rands (VAT included)			
	a Received	b Payments made	a-b Net cash flow	Cumulative cash flow
1	-		d	j
2			e	k
3			f	l
4			g	m
5			h	n
6			etc.	etc.
7				
8				
9				
10				
11				
12				
13				
14				
15				
Maximum negative cash flow. Take the largest negative number in the last column and write in here → → → → →				

Signed	Date

Print Name	Position
Tenderer		

K. FINANCIAL INFORMATION OF TENDERER

This information sheet has to be filled in by the financier of the Tenderer, duly signed and stamped on behalf of the financial institution he represents.

Tenderer Details

Tender Description :

Contract Period :

Name of Tenderer :

Bank Account Number :

Tendered Amount :

Demand Guarantee will be provided by this Bank: YES NO

If yes, state amount of Demand Guarantee: R

Financial Institution

Name of Commercial Bank :

Branch :

Name of Bank Manager :

Telephone Number :

I / We acting on behalf of the above Commercial Bank confirm that

..... (Tenderer)

has operated an account with us for the last years.

We have been requested to provide a bank rating based in relation to the financial capability of the Tenderer, taking into account directives set out in the following two tables.

Financial Capability	
Maximum value of contract that the Tenderer is considered capable of	Value on which Bank Rating must be used
up to R300 000	R24 000
R1 000 000	R78 000
R3 000 000	R240 000
R5 000 000	R480 000
R10 000 000	R900 000

R30 000 000	R2 400 000
R100 000 000	R7 800 000

BANK RATING	
Bank Code	Description of Bank Code
A	Undoubted for the amount of enquiry
B	Good for the amount of enquiry
C	Good for the amount quoted if strictly in the way of business
D	Fair trade risk for amount of enquiry
E	Figures considered too high
F	Financial position unknown
G	Occasional dishonours
H	Frequent dishonours

A bank letter must be submitted and should be specific for this project and not older than 30 days

ANNEXURE: B

L. CERTIFICATE FOR MUNICIPAL SERVICES AND PAYMENTS

TO: MUNICIPAL MANAGER, VHEMBE DISTRICT MUNICIPALITY

FROM: _____ (Name of Tenderer)

FURTHER DETAILS OF TENDERER(S); DIRECTORS/SHAREHOLDERS/PARTNERS, ETC.

Directors/share holders/Partner	Physical address of the Business	Municipal Account No.	Physical residential address of the Director/ Shareholder/ Partner	Municipal Account No.

NB: Please attach certified copy of ID document(s)

Signatory

Date

Witnesses

1. _____
Full Names

Signature

Date

2. _____
Full Names

Signature

Date

ANNEXURE: C

M. AUTHORISATION FOR DEDUCTION OF OUTSTANDING AMOUNTS OWED TO COUNCIL

TO: MUNICIPAL MANAGER, VHEMBE DISTRICT MUNICIPALITY

FROM: _____ (Name of the Tenderer or Consortium)

I, _____ the undersigned, hereby authorise the Vhembe District Municipality to deduct the full amount outstanding by the business organisation/Director/Shareholder/Partner, etc. from any payment due by us/me.

Signed at _____ Date ____ Month _____ 20 ____

Print Name: _____

Signature: _____

Thus done and signed for and on behalf of the Tenderer/Contractor

Signatory

Date

Witnesses

1. _____
Full Names

Signature

Date

2. _____
Full Names

Signature

Date

N.

INVITATION TO BID

YOU ARE HEREBY INVITED TO BID FOR REQUIREMENTS OF THE (NAME OF MUNICIPALITY/ENTITY)

BID NUMBER: CLOSING DATE: CLOSING TIME:
.....

DESCRIPTION.....
.....

The successful bidder will be required to fill in and sign a written Contract Form (MBD 7).

BID DOCUMENTS MAY BE POSTED TO:

.....
.....

OR

DEPOSITED IN THE BID BOX SITUATED AT (STREET ADDRESS)

.....
.....
.....

Bidders should ensure that bids are delivered timeously to the correct address. If the bid is late, it will not be accepted for consideration.

The bid box is generally open 24 hours a day, 7 days a week.

ALL BIDS MUST BE SUBMITTED ON THE OFFICIAL FORMS – (NOT TO BE RE-TYPED)

THIS BID IS SUBJECT TO THE PREFERENTIAL PROCUREMENT POLICY FRAMEWORK ACT AND THE PREFERENTIAL PROCUREMENT REGULATIONS, 2011, THE GENERAL CONDITIONS OF CONTRACT (GCC) AND, IF APPLICABLE, ANY OTHER SPECIAL CONDITIONS OF CONTRACT

NB: NO BIDS WILL BE CONSIDERED FROM PERSONS IN THE SERVICE OF THE STATE (as defined in Regulation 1 of the Local Government: Municipal Supply Chain Management Regulations)

**THE FOLLOWING PARTICULARS MUST BE FURNISHED
(FAILURE TO DO SO MAY RESULT IN YOUR BID BEING DISQUALIFIED)**

NAME OF BIDDER

.....

POSTAL ADDRESS

.....

STREET ADDRESS

.....

TELEPHONE NUMBER

CODE.....NUMBER.....

CELLPHONE NUMBER

.....

FACSIMILE NUMBER

CODE

NUMBER.....

.....

E-MAIL ADDRESS

.....

VAT REGISTRATION NUMBER

.....

HAS AN ORIGINAL AND VALID TAX CLEARANCE CERTIFICATE BEEN ATTACHED? (MBD 2)

YES/NO

HAS A B-BBEE STATUS LEVEL VERIFICATION CERTIFICATE BEEN SUBMITTED? (MBD 6.1)

YES/NO

IF YES, WHO WAS THE CERTIFICATE ISSUED BY?

AN ACCOUNTING OFFICER AS CONTEMPLATED IN THE CLOSE CORPORATION ACT (CCA)

A VERIFICATION AGENCY ACCREDITED BY THE SOUTH AFRICAN NATIONAL ACCREDITATION SYSTEM (SANAS)

A REGISTERED AUDITOR

(Tick applicable box)

(A B-BBEE STATUS LEVEL VERIFICATION CERTIFICATE MUST BE SUBMITTED IN ORDER TO QUALIFY FOR PREFERENCE POINTS FOR B-BBEE)

I. ARE YOU THE ACCREDITED REPRESENTATIVE?
IN SOUTH AFRICA FOR THE GOODS/SERVICES/WORKS OFFERED?

YES/NO
(IF YES ENCLOSE PROOF)

SIGNATURE

OF

BIDDER

.....

.....

DATE

.....

.....

CAPACITY UNDER WHICH THIS BID IS SIGNED

.....

.....

TOTAL BID PRICE..... TOTAL NUMBER OF ITEMS OFFERED

.....

ANY ENQUIRIES REGARDING THE BIDDING PROCEDURE MAY BE DIRECTED TO:

Municipality / Municipal Entity:

Department:

Contact Person:

Tel:

Fax:

ANY ENQUIRIES REGARDING TECHNICAL INFORMATION MAY BE DIRECTED TO:

Contact Person:

Tel:

Fax:

O. DECLARATION OF INTEREST

1. No bid will be accepted from persons in the service of the state*.
2. Any person, having a kinship with persons in the service of the state, including a blood relationship, may make an offer or offers in terms of this invitation to bid. In view of possible allegations of favouritism, should the resulting bid, or part thereof, be awarded to persons connected with or related to persons in service of the state, it is required that the bidder or their authorised representative declare their position in relation to the evaluating/adjudicating authority and/or take an oath declaring his/her interest.

3 In order to give effect to the above, the following questionnaire must be completed and submitted with the bid.

3.1 Full Name:

3.2 Identity Number:

3.3 Company Registration Number:

3.4 Tax Reference Number:

3.5 VAT Registration Number:

3.6 Are you presently in the service of the state* YES / NO

3.6.1 If so, furnish particulars.

.....
.....

3.7 Have you been in the service of the state for the past twelve months? YES / NO

3.7.1 If so, furnish particulars.

.....
.....

* MSCM Regulations: "in the service of the state" means to be –

- (a) a member of –
 - (i) any municipal council;
 - (ii) any provincial legislature; or
 - (iii) the national Assembly or the national Council of provinces;
- (b) a member of the board of directors of any municipal entity;
- (c) an official of any municipality or municipal entity;
- (d) an employee of any national or provincial department, national or provincial public entity or constitutional institution within the meaning of the Public Finance Management Act, 1999 (Act No.1 of 1999);
- (e) a member of the accounting authority of any national or provincial public entity; or
- (f) an employee of Parliament or a provincial legislature.

3.8 Do you, have any relationship (family, friend, other) with persons in the service of the state and who may be involved with the evaluation and or adjudication of this bid? **YES / NO**

3.8.1 If so, furnish particulars.

.....
.....

3.9 Are you, aware of any relationship (family, friend, other) between a bidder and any persons in the service of the state who may be involved with the evaluation and or adjudication of this bid? **YES / NO**

3.9.1 If so, furnish particulars

.....
.....

3.10 Are any of the company's directors, managers, principal shareholders or stakeholders in service of the state? **YES / NO**

3.10.1 If so, furnish particulars.

.....
.....

3.11 Are any spouse, child or parent of the company's directors, managers, principal shareholders or stakeholders in service of the state? **YES / NO**

3.11.1 If so, furnish particulars.

.....
.....

CERTIFICATION

I, THE UNDERSIGNED (NAME)

CERTIFY THAT THE INFORMATION FURNISHED ON THIS DECLARATION FORM IS CORRECT.

I ACCEPT THAT THE STATE MAY ACT AGAINST ME SHOULD THIS DECLARATION PROVE TO BE FALSE.

.....
Signature

.....
Date

.....
Position

.....
Name of Bidder

MBD5

P. DECLARATION FOR PROCUREMENT ABOVE R10 MILLION (ALL APPLICABLE TAXES INCLUDED)

For all procurement expected to exceed R10 million (all applicable taxes included), Tenderers must complete the following questionnaire

- 1 Are you by law required to prepare annual financial statements for auditing?
- 1.1 If yes, submit audited annual financial statements for the past three years or since the date of establishment if established during the past three years.

.....

.....

- 2 Do you have any outstanding undisputed commitments for municipal services towards any Municipality for more than three months or any other service provider in respect of which payment is overdue for more than 30 days?

- 2.1 If no, this serves to certify that the Tenderer has no undisputed commitments for municipal services towards any municipality for more than three months or other service provider in respect of which payment is overdue for more than 30 days.

- 2.2 If yes, provide particulars.

.....

.....

.....

.....

* Delete if not applicable

- 3 Has any contract been awarded to you by an organ of state during the past five years, including particulars of any material non-compliance or dispute concerning the execution of such contract? ***YES / NO**

- 3.1 If yes, furnish particulars

.....

.....

4 Will any portion of goods or services be sourced from outside the Republic, and, if so, what portion and whether any portion of payment from the municipality / municipal entity is expected to be transferred out of the Republic? ***YES/NO**

4.1 If yes, furnish particulars

.....
.....

CERTIFICATION

I, THE UNDERSIGNED (NAME)

CERTIFY THAT THE INFORMATION FURNISHED ON THIS DECLARATION FORM IS CORRECT.

I ACCEPT THAT THE STATE MAY ACT AGAINST ME SHOULD THIS DECLARATION PROVE TO BE FALSE.

.....
Signature

.....
Date

.....
Position

.....
Name of Tenderer

MBD 6.1

**PREFERENCE POINTS CLAIM FORM IN TERMS OF THE PREFERENTIAL
PROCUREMENT REGULATIONS 2022**

This preference form must form part of all tenders invited. It contains general information and serves as a claim form for preference points for specific goals.

NB: BEFORE COMPLETING THIS FORM, TENDERERS MUST STUDY THE GENERAL CONDITIONS, DEFINITIONS AND DIRECTIVES APPLICABLE IN RESPECT OF THE TENDER AND PREFERENTIAL PROCUREMENT REGULATIONS, 2022

1. GENERAL CONDITIONS

- 1.1 The following preference point systems are applicable to invitations to tender:
- the 80/20 system for requirements with a Rand value of up to R50 000 000 (all applicable taxes included); and
 - the 90/10 system for requirements with a Rand value above R50 000 000 (all applicable taxes included).

1.2 **To be completed by the organ of state**

- a) The applicable preference point system for this tender is the **80/20** preference point system.

- 1.3 Points for this tender (even in the case of a tender for income-generating contracts) shall be awarded for:
- (a) Price; and
 - (b) Specific Goals.

1.4 **To be completed by the organ of state:**

The maximum points for this tender are allocated as follows:

	POINTS
PRICE	
SPECIFIC GOALS	
Total points for Price and SPECIFIC GOALS	100

- 1.5 Failure on the part of a tenderer to submit proof or documentation required in terms of this tender to claim points for specific goals with the tender, will be interpreted to mean that preference points for specific goals are not claimed.
- 1.6 The organ of state reserves the right to require of a tenderer, either before a tender is adjudicated or at any time subsequently, to substantiate any claim in regard to preferences, in any manner required by the organ of state.

2. DEFINITIONS

- (a) **“tender”** means a written offer in the form determined by an organ of state in response to an invitation to provide goods or services through price quotations, competitive tendering process or any other method envisaged in legislation;
- (b) **“price”** means an amount of money tendered for goods or services, and includes all applicable taxes less all unconditional discounts;
- (c) **“rand value”** means the total estimated value of a contract in Rand, calculated at the time of bid invitation, and includes all applicable taxes;
- (d) **“tender for income-generating contracts”** means a written offer in the form determined by an organ of state in response to an invitation for the origination of income-generating contracts through any method envisaged in legislation that will result in a legal agreement between the organ of state and a third party that produces revenue for the organ of state, and includes, but is not limited to, leasing and disposal of assets and concession contracts, excluding direct sales and disposal of assets through public auctions; and
- (e) **“the Act”** means the Preferential Procurement Policy Framework Act, 2000 (Act No. 5 of 2000).

3. FORMULAE FOR PROCUREMENT OF GOODS AND SERVICES

3.1. **POINTS AWARDED FOR PRICE**

3.1.1 **THE 80/20 OR 90/10 PREFERENCE POINT SYSTEMS**

A maximum of 80 or 90 points is allocated for price on the following basis:

$$Ps = 80 \left(1 - \frac{Pt - P_{min}}{P_{min}} \right) \text{ or } Ps = 90 \left(1 - \frac{Pt - P_{min}}{P_{min}} \right)$$

Where

- Ps = Points scored for price of tender under consideration
- Pt = Price of tender under consideration
- Pmin = Price of lowest acceptable tender

3.2. FORMULAE FOR DISPOSAL OR LEASING OF STATE ASSETS AND INCOME GENERATING PROCUREMENT

3.2.1. POINTS AWARDED FOR PRICE

A maximum of 80 or 90 points is allocated for price on the following basis:

$$Ps = 80 \left(1 + \frac{Pt - P_{max}}{P_{max}} \right) \text{ or } Ps = 90 \left(1 + \frac{Pt - P_{max}}{P_{max}} \right)$$

Where

- Ps = Points scored for price of tender under consideration
- Pt = Price of tender under consideration
- Pmax = Price of highest acceptable tender

4. POINTS AWARDED FOR SPECIFIC GOALS

4.1. In terms of Regulation 4(2); 5(2); 6(2) and 7(2) of the Preferential Procurement Regulations, preference points must be awarded for specific goals stated in the tender. For the purposes of this tender the tenderer will be allocated points based on the goals stated in table 1 below as may be supported by proof/ documentation stated in the conditions of this tender:

4.2. In cases where organs of state intend to use Regulation 3(2) of the Regulations, which states that, if it is unclear whether the 80/20 or 90/10 preference point system applies, an organ of state must, in the tender documents, stipulate in the case of—

- (a) an invitation for tender for income-generating contracts, that either the 80/20 or 90/10 preference point system will apply and that the highest acceptable tender will be used to determine the applicable preference point

system; or

- (b) any other invitation for tender, that either the 80/20 or 90/10 preference point system will apply and that the lowest acceptable tender will be used to determine the applicable preference point system,

then the organ of state must indicate the points allocated for specific goals for both the 90/10 and 80/20 preference point system.

Table 1: Specific goals for the tender and points claimed are indicated per the table below.

(Note to organs of state: Where either the 90/10 or 80/20 preference point system is applicable, corresponding points must also be indicated as such.

Note to tenderers: The tenderer must indicate how they claim points for each preference point system.)

The specific goals allocated points in terms of this tender	Number of points allocated (90/10 system) (To be completed by the organ of state)	Number of points allocated (80/20 system) (To be completed by the organ of state)	Number of points claimed (90/10 system) (To be completed by the tenderer)	Number of points claimed (80/20 system) (To be completed by the tenderer)

DECLARATION WITH REGARD TO COMPANY/FIRM

4.3. Name of company/firm.....

4.4. Company registration number:

4.5. TYPE OF COMPANY/ FIRM

- Partnership/Joint Venture / Consortium
 - One-person business/sole propriety
 - Close corporation
 - Public Company
 - Personal Liability Company
 - (Pty) Limited
 - Non-Profit Company
 - State Owned Company
- [TICK APPLICABLE BOX]

4.6. I, the undersigned, who is duly authorised to do so on behalf of the company/firm, certify that the points claimed, based on the specific goals as advised in the tender, qualifies the company/ firm for the preference(s) shown and I acknowledge that:

- i) The information furnished is true and correct;
- ii) The preference points claimed are in accordance with the General Conditions as indicated in paragraph 1 of this form;
- iii) In the event of a contract being awarded as a result of points claimed as shown in paragraphs 1.4 and 4.2, the contractor may be required to furnish documentary proof to the satisfaction of the organ of state that the claims are correct;
- iv) If the specific goals have been claimed or obtained on a fraudulent basis or any of the conditions of contract have not been fulfilled, the organ of state may, in addition to any other remedy it may have –
 - (a) disqualify the person from the tendering process;
 - (b) recover costs, losses or damages it has incurred or suffered as a result of that person’s conduct;
 - (c) cancel the contract and claim any damages which it has suffered as a result of having to make less favourable arrangements due to such cancellation;
 - (d) recommend that the tenderer or contractor, its shareholders and directors, or only the shareholders and directors who acted on a fraudulent basis, be restricted from obtaining business from any organ of state for a period not exceeding 10 years, after the *audi alteram partem* (hear the other side) rule has been applied; and
 - (e) forward the matter for criminal prosecution, if deemed necessary.

	<p>.....</p> <p>SIGNATURE(S) OF TENDERER(S)</p>
SURNAME AND NAME:
DATE:
ADDRESS:

R. DECLARATION FOR LOCAL CONTENT

MBD 6.2

DECLARATION CERTIFICATE FOR LOCAL PRODUCTION AND CONTENT

This Municipal Bidding Document (MBD) must form part of all bids invited. It contains general information and serves as a declaration form for local content (local production and local content are used interchangeably).

Before completing this declaration, bidders must study the General Conditions, Definitions, Directives applicable in respect of Local Content as prescribed in the Preferential Procurement Regulations, 2011 and the South African Bureau of Standards (SABS) approved technical specification number SATS 1286:201x.

1. General Conditions

- 1.1. Preferential Procurement Regulations, 2011 (Regulation 9. (1) and 9. (3) make provision for the promotion of local production and content.
- 1.2. Regulation 9. (1) prescribes that in the case of designated sectors, where in the award of bids local production and content is of critical importance, such bids must be advertised with the specific bidding condition that only locally produced goods, services or works or locally manufactured goods, with a stipulated minimum threshold for local production and content will be considered.
- 1.3. Regulation 9. (3) prescribes that where there is no designated sector, a specific bidding condition may be included, that only locally produced services, works or goods or locally manufactured goods with a stipulated minimum threshold for local production and content, will be considered.
- 1.4. Where necessary, for bids referred to in paragraphs 1.2 and 1.3 above, a two stage bidding process may be followed, where the first stage involves a minimum threshold for local production and content and the second stage price and B-BBEE.
- 1.5. A person awarded a contract in relation to a designated sector, may not sub-contract in such a manner that the local production and content of the overall value of the contract is reduced to below the stipulated minimum threshold.
- 1.6. The local content (LC) as a percentage of the bid price must be calculated in accordance with the SABS approved technical specification number SATS 1286: 201x as follows:

$$LC = 1 - \left(\frac{x}{y} \right) \times 100$$

Where

x imported content

y bid price excluding value added tax (VAT)

Prices referred to in the determination of x must be converted to Rand (ZAR) by using the exchange rate published by the South African Reserve Bank (SARB) at 12:00 on the date, one week (7 calendar days) prior to the closing date of the bid as required in paragraph 4.1 below.

1.7. A bid will be disqualified if:

- the bidder fails to achieve the stipulated minimum threshold for local production and content indicated in paragraph 3 below; and.
- this declaration certificate is not submitted as part of the bid documentation.

2. Definitions

2.1. **“bid”** includes advertised competitive bids, written price quotations or proposals;

2.2. **“bid price”** price offered by the bidder, excluding value added tax (VAT);

2.3. **“contract”** means the agreement that results from the acceptance of a bid by an organ of state;

2.4. **“designated sector”** means a sector, sub-sector or industry that has been designated by the Department of Trade and Industry in line with national development and industrial policies for local production, where only locally produced services, works or goods or locally manufactured goods meet the stipulated minimum threshold for local production and content;

2.5. **“duly sign”** means a Declaration Certificate for Local Content that has been signed by the Chief Financial Officer or other legally responsible person nominated in writing by the Chief Executive, or senior member / person with management responsibility (close corporation, partnership or individual).

2.6. **“imported content”** means that portion of the bid price represented by the cost of components, parts or materials which have been or are still to be imported (whether by the supplier or its subcontractors) and which costs are inclusive of the costs abroad, plus freight and other direct importation costs, such as landing costs, dock duties, import duty, sales duty or other similar tax or duty at the South African port of entry;

2.7. **“local content”** means that portion of the bid price which is not included in the imported content, provided that local manufacture does take place;

2.8. **“stipulated minimum threshold”** means that portion of local production and content as determined by the Department of Trade and Industry; and

2.9. **“sub-contract”** means the primary contractor’s assigning, leasing, making out work to, or employing another person to support such primary contractor in the execution of part of a project in terms of the contract.

3. **The stipulated minimum threshold(s) for local production and content for this bid is/are as follows:**

<u>Description of services, works or goods</u>	<u>Stipulated minimum threshold</u>
PVC pipes	100 %
_____	_____ %
_____	_____ %

4. Does any portion of the services, works or goods offered have any imported content? YES / NO

4.1 If yes, the rate(s) of exchange to be used in this bid to calculate the local content as prescribed in paragraph 1.6 of the general conditions must be the rate(s) published by the SARB for the specific currency at 12:00 on the date, one week (7 calendar days) prior to the closing date of the bid.

The relevant rates of exchange information are accessible on www.reservebank.co.za.

Indicate the rate (s) of exchange against the appropriate currency in the table below:

Currency	Rates of exchange
US Dollar	
Pound Sterling	
Euro	
Yen	
Other	

NB: Bidders must submit proof of the SARB rate (s) of exchange used.

LOCAL CONTENT DECLARATION BY CHIEF FINANCIAL OFFICER OR OTHER LEGALLY RESPONSIBLE PERSON NOMINATED IN WRITING BY THE CHIEF EXECUTIVE OR SENIOR MEMBER/PERSON WITH MANAGEMENT RESPONSIBILITY (CLOSE CORPORATION, PARTNERSHIP OR INDIVIDUAL)

IN RESPECT OF BID No.

ISSUED BY: (Procurement Authority / Name of Municipality / Municipal Entity):
.....

NB The obligation to complete, duly sign and submit this declaration cannot be transferred to an external authorized representative, auditor or any other third party acting on behalf of the bidder.

I, the undersigned, (full names),
do hereby declare, in my capacity as
of(name of bidder entity), the following:

(a) The facts contained herein are within my own personal knowledge.

(b) I have satisfied myself that the goods/services/works to be delivered in terms of the above-specified bid comply with the minimum local content requirements as specified in the bid, and as measured in terms of SATS 1286.

(c) The local content has been calculated using the formula given in clause 3 of SATS 1286, the rates of exchange indicated in paragraph 4.1 above and the following figures:

Bid price, excluding VAT (y)	R
Imported content (x)	R
Stipulated minimum threshold for Local content (paragraph 3 above)	
Local content % as calculated in terms of SATS 1286	

If the bid is for more than one product, a schedule of the local content by product shall be attached.

(d) I accept that the Procurement Authority / Municipality /Municipal Entity has the right to request that the local content be verified in terms of the requirements of SATS 1286.

(e) I understand that the awarding of the bid is dependent on the accuracy of the information furnished in this application. I also understand that the submission of incorrect data, or data that are not verifiable as described in SATS 1286, may result in the Procurement Authority / Municipal / Municipal Entity imposing any or all of the remedies as provided for in Regulation 13 of the Preferential Procurement Regulations, 2011 promulgated under the Policy Framework Act (PPPFA), 2000 (Act No. 5 of 2000).

SIGNATURE: _____

DATE: _____

WITNESS No. 1 _____

DATE: _____

WITNESS No. 2 _____

DATE: _____

SATS 1286.2011											
Annex D											
Imported Content Declaration - Supporting Schedule to Annex C											
(D1) Tender No.					Note: VAT to be excluded from all calculations						
(D2) Tender description:											
(D3) Designated Products:											
(D4) Tender Authority:											
(D5) Tendering Entity name:											
(D6) Tender Exchange Rate:	Pula	EU	R 9,00	GBP	R 12,00						
A. Exempted imported content				Calculation of imported content						Summary	
Tender item no's	Description of imported content	Local supplier	Overseas Supplier	Foreign currency value as per Commercial Invoice	Tender Exchange Rate	Local value of imports	Freight costs to port of entry	All locally incurred landing costs & duties	Total landed cost excl VAT	Tender Qty	Exempted imported value
(D7)	(D8)	(D9)	(D10)	(D11)	(D12)	(D13)	(D14)	(D15)	(D16)	(D17)	(D18)
										(D19) Total exempt imported value R 0	
This total must correspond with Annex C - C 21											
B. Imported directly by the Tenderer				Calculation of imported content						Summary	
Tender item no's	Description of imported content	Unit of measure	Overseas Supplier	Foreign currency value as per Commercial Invoice	Tender Rate of Exchange	Local value of imports	Freight costs to port of entry	All locally incurred landing costs & duties	Total landed cost excl VAT	Tender Qty	Total imported value
(D20)	(D21)	(D22)	(D23)	(D24)	(D25)	(D26)	(D27)	(D28)	(D29)	(D30)	(D31)
										(D32) Total imported value by tenderer R 0	
C. Imported by a 3rd party and supplied to the Tenderer				Calculation of imported content						Summary	
Description of imported content	Unit of measure	Local supplier	Overseas Supplier	Foreign currency value as per Commercial Invoice	Tender Rate of Exchange	Local value of imports	Freight costs to port of entry	All locally incurred landing costs & duties	Total landed cost excl VAT	Quantity imported	Total imported value
(D33)	(D34)	(D35)	(D36)	(D37)	(D38)	(D39)	(D40)	(D41)	(D42)	(D43)	(D44)
										(D45) Total imported value by 3rd party R 0	
D. Other foreign currency payments				Calculation of foreign currency payments						Summary of payments	
Type of payment	Local supplier making the payment	Overseas beneficiary	Foreign currency value paid	Tender Rate of Exchange							Local value of payments
(D46)	(D47)	(D48)	(D49)	(D50)							(D51)
										(D52) Total of foreign currency payments declared by tenderer and/or 3rd party	
Signature of tenderer from Annex B											
										(D53) Total of imported content & foreign currency payments - (D32), (D45) & (D52) above R 0	
Date:											
This total must correspond with Annex C - C 23											

				SATS 1286.2011																																																				
Annex E																																																								
Local Content Declaration - Supporting Schedule to Annex C																																																								
(E1)	Tender No.		Note: VAT to be excluded from all calculations																																																					
(E2)	Tender description:																																																							
(E3)	Designated products:																																																							
(E4)	Tender Authority:																																																							
(E5)	Tendering Entity name:																																																							
<table border="1" style="width: 100%; border-collapse: collapse;"> <thead> <tr> <th style="width: 20%; text-align: center;">Local Products (Goods, Services and Works)</th> <th style="width: 40%; text-align: center;">Description of items purchased</th> <th style="width: 20%; text-align: center;">Local suppliers</th> <th style="width: 20%; text-align: center;">Value</th> </tr> <tr> <td></td> <td style="text-align: center;">(E6)</td> <td style="text-align: center;">(E7)</td> <td style="text-align: center;">(E8)</td> </tr> </thead> <tbody> <tr><td> </td><td> </td><td> </td><td> </td></tr> <tr><td> </td><td> </td><td> </td><td> </td></tr> <tr><td> </td><td> </td><td> </td><td> </td></tr> <tr><td> </td><td> </td><td> </td><td> </td></tr> <tr><td> </td><td> </td><td> </td><td> </td></tr> <tr><td> </td><td> </td><td> </td><td> </td></tr> <tr><td> </td><td> </td><td> </td><td> </td></tr> <tr><td> </td><td> </td><td> </td><td> </td></tr> <tr><td> </td><td> </td><td> </td><td> </td></tr> <tr><td> </td><td> </td><td> </td><td> </td></tr> <tr> <td colspan="3" style="text-align: right;">(E9) Total local products (Goods, Services and Works)</td> <td style="text-align: center;">R 0</td> </tr> </tbody> </table>					Local Products (Goods, Services and Works)	Description of items purchased	Local suppliers	Value		(E6)	(E7)	(E8)																																									(E9) Total local products (Goods, Services and Works)			R 0
Local Products (Goods, Services and Works)	Description of items purchased	Local suppliers	Value																																																					
	(E6)	(E7)	(E8)																																																					
(E9) Total local products (Goods, Services and Works)			R 0																																																					
(E10)	Manpower costs	(Tenderer's manpower cost)		R 0																																																				
(E11)	Factory overheads	(Rental, depreciation & amortisation, utility costs, consumables etc.)		R 0																																																				
(E12)	Administration overheads and mark-up	(Marketing, insurance, financing, interest etc.)		R 0																																																				
			(E13) Total local content	R 0																																																				
			This total must correspond with Annex C - C24																																																					
<p><u>Signature of tenderer from Annex B</u></p> <p>Date: _____</p>																																																								

S. CERTIFICATE OF INDEPENDENT TENDER DETERMINATION

MBD 8

DECLARATION OF BIDDER'S PAST SUPPLY CHAIN MANAGEMENT PRACTICES

- 1 This Municipal Bidding Document must form part of all bids invited.
- 2 It serves as a declaration to be used by municipalities and municipal entities in ensuring that when goods and services are being procured, all reasonable steps are taken to combat the abuse of the supply chain management system.

- 3 The bid of any bidder may be rejected if that bidder, or any of its directors have:
- a. abused the municipality's / municipal entity's supply chain management system or committed any improper conduct in relation to such system;
 - b. been convicted for fraud or corruption during the past five years;
 - c. willfully neglected, reneged on or failed to comply with any government, municipal or other public sector contract during the past five years; or
 - d. been listed in the Register for Tender Defaulters in terms of section 29 of the Prevention and Combating of Corrupt Activities Act (No 12 of 2004).
- 4 In order to give effect to the above, the following questionnaire must be completed and submitted with the bid.

Item	Question	Yes	No
4.1	Is the bidder or any of its directors listed on the National Treasury's Database of Restricted Suppliers as companies or persons prohibited from doing business with the public sector? (Companies or persons who are listed on this Database were informed in writing of this restriction by the Accounting Officer/Authority of the institution that imposed the restriction after the <i>audi alteram partem</i> rule was applied). The Database of Restricted Suppliers now resides on the National Treasury's website (www.treasury.gov.za) and can be accessed by clicking on its link at the bottom of the home page.	Yes <input type="checkbox"/>	No <input type="checkbox"/>
4.1.1	If so, furnish particulars:		
4.2	Is the bidder or any of its directors listed on the Register for Tender Defaulters in terms of section 29 of the Prevention and Combating of Corrupt Activities Act (No 12 of 2004)? The Register for Tender Defaulters can be accessed on the National Treasury's website (www.treasury.gov.za) by clicking on its link at the bottom of the home page.	Yes <input type="checkbox"/>	No <input type="checkbox"/>
4.2.1	If so, furnish particulars:		
4.3	Was the bidder or any of its directors convicted by a court of law (including a court of law outside the Republic of South Africa) for fraud or corruption during the past five years?	Yes <input type="checkbox"/>	No <input type="checkbox"/>
4.3.1	If so, furnish particulars:		
Item	Question	Yes	No
4.4	Does the bidder or any of its directors owe any municipal rates and taxes or municipal charges to the municipality / municipal entity, or to any other municipality / municipal entity, that is in arrears for more than three months?	Yes <input type="checkbox"/>	No <input type="checkbox"/>

4.4.1	If so, furnish particulars:		
4.5	Was any contract between the bidder and the municipality / municipal entity or any other organ of state terminated during the past five years on account of failure to perform on or comply with the contract?	Yes <input type="checkbox"/>	No <input type="checkbox"/>
4.7.1	If so, furnish particulars:		

CERTIFICATION

**I, THE UNDERSIGNED (FULL NAME)
CERTIFY THAT THE INFORMATION FURNISHED ON THIS
DECLARATION FORM TRUE AND CORRECT.**

**I ACCEPT THAT, IN ADDITION TO CANCELLATION OF A CONTRACT,
ACTION MAY BE TAKEN AGAINST ME SHOULD THIS DECLARATION
PROVE TO BE FALSE.**

.....
Signature

.....
Date

.....
Position

.....
Name of Bidder

MBD 9**T. CERTIFICATE OF INDEPENDENT BID DETERMINATION**

- 1 This Municipal Bidding Document (MBD) must form part of all bids¹ invited.
- 2 Section 4 (1) (b) (iii) of the Competition Act No. 89 of 1998, as amended, prohibits an agreement between, or concerted practice by, firms, or a decision by an association of firms, if it is between parties in a horizontal relationship and if it involves collusive bidding (or bid rigging).² Collusive bidding is a *pe se* prohibition meaning that it cannot be justified under any grounds.
- 3 Municipal Supply Regulation 38 (1) prescribes that a supply chain management policy must provide measures for the combating of abuse of the supply chain management system, and must enable the accounting officer, among others, to:
 - a. take all reasonable steps to prevent such abuse;
 - b. reject the bid of any bidder if that bidder or any of its directors has abused the supply chain management system of the municipality or municipal entity or has committed any improper conduct in relation to such system; and
 - c. cancel a contract awarded to a person if the person committed any corrupt or fraudulent act during the bidding process or the execution of the contract.
- 4 This MBD serves as a certificate of declaration that would be used by institutions to ensure that, when bids are considered, reasonable steps are taken to prevent any form of bid-rigging.
- 5 In order to give effect to the above, the attached Certificate of Bid Determination (MBD 9) must be completed and submitted with the bid:

¹ Includes price quotations, advertised competitive bids, limited bids and proposals.

² Bid rigging (or collusive bidding) occurs when businesses, that would otherwise be expected to compete, secretly conspire to raise prices or lower the quality of goods and / or services for purchasers who wish to acquire goods and / or services through a bidding process. Bid rigging is, therefore, an agreement between competitors not to compete.

CERTIFICATE OF INDEPENDENT BID DETERMINATION

I, the undersigned, in submitting the accompanying bid:

(Bid Number and Description)

in response to the invitation for the bid made by:

(Name of Municipality / Municipal Entity)

do hereby make the following statements that I certify to be true and complete in every respect:

I certify, on behalf

of: _____ that:

(Name of Bidder)

1. I have read and I understand the contents of this Certificate;
2. I understand that the accompanying bid will be disqualified if this Certificate is found not to be true and complete in every respect;
3. I am authorized by the bidder to sign this Certificate, and to submit the accompanying bid, on behalf of the bidder;
4. Each person whose signature appears on the accompanying bid has been authorized by the bidder to determine the terms of, and to sign, the bid, on behalf of the bidder;
5. For the purposes of this Certificate and the accompanying bid, I understand that the word "competitor" shall include any individual or organization, other than the bidder, whether or not affiliated with the bidder, who:
 - (a) has been requested to submit a bid in response to this bid invitation;
 - (b) could potentially submit a bid in response to this bid invitation, based on their qualifications, abilities or experience; and
 - (c) provides the same goods and services as the bidder and/or is in the same line of business as the bidder

MBD 9

6. The bidder has arrived at the accompanying bid independently from, and without consultation, communication, agreement or arrangement with any competitor. However communication between partners in a joint venture or consortium³ will not be construed as collusive bidding.
7. In particular, without limiting the generality of paragraphs 6 above, there has been no consultation, communication, agreement or arrangement with any competitor regarding:
 - (a) prices;
 - (b) geographical area where product or service will be rendered (market allocation)
 - (c) methods, factors or formulas used to calculate prices;
 - (d) the intention or decision to submit or not to submit, a bid;
 - (e) the submission of a bid which does not meet the specifications and conditions of the bid; or
 - (f) bidding with the intention not to win the bid.
8. In addition, there have been no consultations, communications, agreements or arrangements with any competitor regarding the quality, quantity, specifications and conditions or delivery particulars of the products or services to which this bid invitation relates.
9. The terms of the accompanying bid have not been, and will not be, disclosed by the bidder, directly or indirectly, to any competitor, prior to the date and time of the official bid opening or of the awarding of the contract.

³ Joint venture or Consortium means an association of persons for the purpose of combining their expertise, property, capital, efforts, skill and knowledge in an activity for the execution of a contract.

MBD 9

10. I am aware that, in addition and without prejudice to any other remedy provided to combat any restrictive practices related to bids and contracts, bids that are suspicious will be reported to the Competition Commission for investigation and possible imposition of administrative penalties in terms of section 59 of the Competition Act No 89 of 1998 and or may be reported to the National Prosecuting Authority (NPA) for criminal investigation and or may be restricted from conducting business with the public sector for a period not exceeding ten (10) years in terms of the Prevention and Combating of Corrupt Activities Act No 12 of 2004 or any other applicable legislation.

.....

 Signature

Date

.....

 Position

Name of Bidder

U. COMPLIANCE WITH OHSA (ACT 85 OF 1993)

Tenderers are required to satisfy the Employer and the Engineer as to their ability and available resources to comply with the above by answering the following questions and providing the relevant information required below.

1. Is the Contractor familiar with the OHSA (ACT 85 of 1993) and its Regulations?		YES	/	NO
2. Who will prepare the Contractor's Health and Safety Plan? (Provide a copy of the person/s curriculum vitae/s or company profile).				
3. Does the Contractor have a health and safety policy? (If yes, provide a copy). How is this policy communicated to all employees?		YES	/	NO

4. Does the Contractor keep records of safety aspects of each construction site? If yes, what records are kept?		YES	/	NO
5. Does the Contractor conduct monthly safety meetings? If yes, who is the chairperson of the meeting, and who attend these meetings?		YES	/	NO
6. Does the Contractor have a safety officer in his employment, responsible for the overall safety of his company? If yes, please explain his duties and provide a copy of his CV.		YES	/	NO
7. Does the Contractor have trained first aid employees? If yes, indicate, who.		YES	/	NO
8. Does the Contractor have a safety induction-training programme in place? (If yes, provide a copy)		YES	/	NO

Signature of Tenderer:

Date:

V. ORIGINAL BANK RATING LETTER

Attached the Bank Rating to this Page

W.DAY WORK SCHEDULE

This Day work Schedule shall be used for the valuation of any additional or substituted work which cannot conveniently be valued at the rates and prices submitted in the schedule of quantities.

In respect of labour and materials used in the additional or substituted work not covered in the Day work Schedule the Contractor shall be paid the actual cost plus the percentage allowance stated in the schedule of quantities.

The Tenderer shall quote hereunder rates which shall apply for payment purposes if the Engineer orders additional or substituted work to be carried out on a day work basis and shall therefore be in accordance with the requirements of clause 37(2) of the General Conditions of Contract.

1. LABOUR AND MATERIALS

Rates and prices entered in the schedule shall be held to allow for net cost of labour and materials delivered to site respectively with the percentage allowances stated in the schedule of quantities.

2. PLANT AND EQUIPMENT

The Tenderers shall list all major items of plant and equipment to be used on the works and which may be required for use on day works. The proposed hire rates of these items shall be entered against each type of machine, such rates to include for all relevant costs of plant hire inclusive of fuels and lubricants but exclusive of labour charges for the operators, which will be paid for under sub-clause (1) above.

The rates for plant items not listed in the schedule will be the ruling plant hire rates, inclusive of fuels and lubricants but exclusive of labour charges for the operators, inclusive of a 7, 5% handling charge. It is therefore in the Tenderers interest to ensure that the list is complete.

Should there be insufficient space on the pages provided; the Tenderer shall add further pages as required.

THE RATES FOR THE PLANT AND EQUIPMENT MENTIONED IN THE SCHEDULE SHALL BE FILLED IN FOR THE ITEMS REQUESTED. SHOULD AN ITEM BE OMITTED IT SHALL BE DEEMED TO HAVE BEEN INCLUDED IN THE OTHER DAYWORKS RATES.

I. LABOUR

DESIGNATION		RATE	
		R	C
Brick Layers	per hour		
Pipe Layers	per hour		
Plant Operators	per hour		
Truck Drivers	per hour		
Labour - unskilled	per hour		
- semi-skilled	per hour		
- skilled	per hour		

II. MATERIALS

DESIGNATION		RATE	
		R	C
Cement	per 50 kg pocket delivered		
Concrete Sand	per m ³ delivered		
Concrete Aggregate	per m ³ delivered		

III. TRANSPORT

DESIGNATION	RATE	
	R	C
Per cubic metre kilometre		

IV. PLANT AND EQUIPMENT

ITEM	DESCRIPTION	NON WORKING RATE*		OPERATING RATE		PER UNIT
		R	c	R	C	
	LDV					
	Tipper 10 cubic meter					
	Grader (140G or equivalent)					
	Roller					
	Excavator					
	LDV					
	Tipper 10 cubic meter					

*Only applicable on authority of the Engineer

THE CONTRACT

- PART C1: AGREEMENT AND CONTACT DATA
- PART C2: PRICING DATA
- PART C3: SCOPE OF THE WORKS
- PART C4: SITE INFORMATION

VHEMBE DISTRICT MUNICIPALITY



WATER SUPPLY AND BULK WATER RETICULATION OF NGWENANI THEMELI, NGULUMBI, NGOVHELA BACKSIDE, MADAMALALA, PHINDULA, MAEMBENI AND MULEDZHI PHASE 2D (NGWENANI THEMELI)

TABLE OF CONTENTS

PART C1: AGREEMENTS AND CONTRACT DATA (YELLOW COLOUR)

C1.1: FORM OF OFFER AND ACCEPTANCE

C1.2: CONTRACT DATA

C1.2.1: CONDITIONS OF CONTRACT

C1.2.2: PART A: CONTRACT DATA PROVIDED BY THE EMPLOYER PART B: CONTRACT DATA PROVIDED BY THE CONTRACTOR

C1.3: DEMAND GUARANTEE AND RETENTION MONEY GUARANTEE

C1.4: AGREEMENT IN TERMS OF SECTION 37(2) OF THE OCCUPATIONAL HEALTH AND SAFETY ACT No 85 OF 1993

C1.5: AGREEMENT WITH ADJUDICATOR

PART C2: PRICING DATA (YELLOW COLOUR)

C2.1: PRICING INSTRUCTIONS

C2.2: BILL OF QUANTITIES

PART C3: SCOPE OF WORK (BLUE COLOUR) TABLE OF CONTENTS

C3.1: STANDARD SPECIFICATIONS

C3.2: PROJECT SPECIFICATIONS

C3.3: PARTICULAR SPECIFICATIONS

PART C 4: SITE INFORMATION (GREEN COLOUR)

C4.1: LOCALITY PLAN

C4.2: TENDER DRAWINGS

VHEMBE DISTRICT MUNICIPALITY

WATER SUPPLY AND BULK WATER RETICULATION OF NGWENANI THEMELI, NGULUMBI, NGOVHELA BACKSIDE, MADAMALALA, PHINDULA, MAEMBENI AND MULEDZHI PHASE 2D (NGWENANI THEMELI)

C1.1 Form of Offer and Acceptance

Offer

The Employer, identified in the Acceptance signature block, has solicited offers to enter into a contract for the procurement of construction works viz.:

WATER SUPPLY AND BULK WATER RETICULATION OF NGWENANI THEMELI, NGULUMBI, NGOVHELA BACKSIDE, MADAMALALA, PHINDULA, MAEMBENI AND MULEDZHI PHASE 2D (NGWENANI THEMELI):

CONTRACT NUMBER: VDM/TECH/04/05/2026/01

VHEMBE DISTRICT MUNICIPALITY:

The Tenderer, identified in the Offer signature block, has examined the documents listed in the Tender Data and addenda thereto as listed in the Tender Schedules, and by submitting this offer has accepted the Conditions of Tender.

By the representative of the Tenderer, deemed to be duly authorized, signing this part of this Form of Offer and Acceptance, the Tenderer offers to perform all of the obligations and liabilities of the Contractor under the Contract including compliance with all its terms and conditions according to their true intent and meaning for an amount to be determined in accordance with the Conditions of Contract identified in the Contract Data.

The offered total of the prices inclusive of value-added-tax is

.....

..... (Amount in words); R..... (Amount in figures)

This Offer may be accepted by the Employer by signing the Acceptance part of this Form of Offer and Acceptance and returning one copy of this document to the Tenderer before the end of the period of validity stated in the Tender Data, whereupon the Tenderer becomes the party named as the Contractor in terms of the Conditions of Contract identified in the Contract Data.

Signature(s)

Print Name(s)

Capacity

For the Tenderer

..... (Name and address of organization)

Signature of witness..... Date:

Print Name

Important Note

This page to be duly completed by the **Tenderer** before submitting the Tender.

ACCEPTANCE

By signing this part of this Form of Offer and Acceptance, the Employer accepts the Tenderer's Offer. In consideration thereof, the Employer shall pay the Contractor the amount due in accordance with the Conditions of Contract identified in the Contract Data. Acceptance of the Tenderer's Offer shall form an agreement between the Employer and the Tenderer upon the terms and conditions contained in this Agreement and in the Contract that is the subject of this Agreement.

The terms of the contract are contained in

Part 1: Agreements and Contract Data (which include this Agreement)

Part 2: Pricing Data

Part 3: Scope of Work

Part 4: Site Information

and drawings and documents or parts thereof, which may be incorporated by reference into parts 1 to 4 above.

Deviations from and amendments to the documents listed in the Tender Data and any addenda thereto, as listed in the Tender Schedules, as well as any changes to the terms of the Offer agreed by the Tenderer and the Employer during this process of offer and acceptance, are contained in the Schedule of Deviations attached to and forming part of this Agreement. No amendments to or deviations from said documents are valid unless contained in this Schedule, which shall be signed by the authorized representative(s) of both parties.

The Tenderer shall, within 7 days of receiving a completed copy of this Agreement (including the Schedule of Deviations, if any), contact the Employer's Agent (whose details are given in the Contract Data) to arrange the delivery of any guarantees, proof of insurance and any other documentation to be provided in terms of the Conditions of Contract identified in the Contract Data. Failure to fulfill any of the obligations in accordance with those terms shall constitute a repudiation of this Agreement.

Notwithstanding anything contained herein, this Agreement comes into effect on the date when the Tenderer receives one fully completed copy of this original document, including the Schedule of Deviations (if any). Such date should be confirmed in a manner that can be read, copied and recorded and shall be accepted by the contracting parties as the Commencement Date. This agreement shall constitute a binding contract between the parties.

Signature(s)

Print Name(s)

Capacity

For the Employer
.....
(Name and address of organization)

Signature of witness..... Date:

Print Name

SCHEDULE OF DEVIATIONS

The extent of deviations from the Tender documents issued by the Employer before the Tender closing date is limited to those permitted in terms of the Conditions of Tender.

A Tenderer's covering letter shall not be included in the final contract document. Should any matter in such letter, which constitutes a deviation as aforesaid, be the subject of agreements reached during the process of offer and acceptance, the outcome of such agreement shall be recorded here.

Any other matter arising from the process of offer and acceptance either as a confirmation, clarification or change to the Tender documents, and which it is agreed by the Parties becomes an obligation of the contract, shall also be recorded here.

Any change or addition to the Tender documents arising from the above agreements and recorded here shall also be incorporated into the final Contract Document.

- 3.1 Subject
Details
- 3.2 Subject
Details
- 3.3 Subject
Details

By the duly authorized representatives signing this Schedule of Deviations, the Employer and the Contractor agree to and accept the foregoing Schedule of Deviations as the only deviations from and amendments to the documents listed in the Tender Data and addenda thereto as listed in the Tender Schedules, as well as any confirmation, clarification or changes to the terms of the offer agreed by the Contractor and the Employer in concluding this process of offer and acceptance; in witness thereof the parties hereto have caused this agreement to be executed.

It is expressly agreed that no other matter whether in writing, oral communication or implied during the period between the issue of the Tender documents and the receipt by the Contractor of a completed signed copy of this Agreement shall have any meaning or effect in the contract between the parties arising from this Agreement.

Signed by: Signed by:

Print Name: Print Name:

Address: Address:

.....

For and on behalf of the **Employer** in the for and on behalf of the **Contractor** in the

Presence of

presence of

Witness:

Witness:

Print Name:

Print Name:

Date:

Date:

C1.3 DEMAND GUARANTEE AND RETENTION MONEY

VHEMBE DISTRICT MUNICIPALITY



(Not to be completed at tender stage)

C1.3 Performance Guarantee

In accordance with clause 6.2.1 of General Conditions of Contract, 2nd Edition 2010

Contract No: -----

Description of Contract: -----

GUARANTOR DETAILS AND DEFINATIONS

“Guarantor” means: -----

----- (Please put name of firm)

Please address: -----

Postal address: -----

Tel:-----

Fax: -----

“Employer” means: **VHEMBE DISTRICT MUNICIPALITY.**

“Contractor” means: -----

----- (Please put name of firm)

“Guarantee sum” means: 10% of the contract amount

“**Engineer**” means: -----

“**Works**” means: Permanent works together with temporary works

“**Site**” means: The land and other places, made available by the Employer for the purpose of the contract, on under over in or through which the works are to be executed or carried out.

“**Contractor**” means: The Agreement made in terms of the Form of Offer and Acceptance and such amendments or additions to the Contractor as may be agreed in writing between the parties.

“**Contract Sum**” means: The accepted amount inclusive for tax of R-----

Amount in words: -----

“**Expiry Date**” This Guarantee shall expire upon the issue of the completion certificate issued by Vhembe District Municipality signed by the Director of ENGINEERING Services, as such date is advised to the Guarantor in writing confirmed by the Employer.

CONTRACT DETAILS

Engineer issues: Interim Payment Certificates, Final Payment Certificate and the Certificate Completion of the Work as defined in the Contract.

PERFORMANCE GUARANTEE

1. The Guarantor’s liability shall be limited to the amount of the Guaranteed Sum.
2. Expiry Date” This Guarantee shall expire upon the issue of the final completion certificate issued by Vhembe District Municipality signed by the Director of ENGINEERING Services, as such date is advised to the Guarantor in writing confirmed by the Employer
The Engineer and/or the Employer shall advise the Guarantor in writing of the date on the Certificate of the works has been issued.
3. The Guarantor hereby acknowledges that:
 - 3.1. Any reference in this performance Guarantee to the Contract is made for the purpose of convenience and shall not be construed as any intention whatsoever to create an accessory obligation or any intention whatsoever to create a surety ship;
 - 3.2 . Its obligation under this Performance Guarantee is restricted to the payment of money.
4. Subject to the Guarantor’s maximum liability referred to in 1, the Guarantor hereby undertakes to pay the Employer the sum certified upon receipt of the documents identified in 4.1 to 4.3:
 - 4.1. A copy of a first written demand issues by the Employer to the Contractor stating that payment of a sum certified by the Engineer and/ or Employer in an Interim or Final Payment Certificate has not been made in terms of the Contract and failing such payment within seven (7) calendar days, the Employer intends to call upon the Guarantor to make payment in terms of 4.2;
 - 4.2. A first written demand issued by the Employer to the Guarantor at the Guarantor’s physical address and / or postal address with a copy to the Contractor stating that period of seven (7) days has elapsed since the first written demand terms of 4.1 and the sum certificate has still not been paid;
 - 4.3. A copy of the aforesaid payment certificate which entails the Employer to receive payment in terms of the Contract sum in 4.

5. Subject to the Guarantor’s maximum liability referred to in 1, the Guarantor undertakes to pay to the Employer the Guaranteed sum or the full outstanding balance upon receipt of a first written demand from the Employer to the Guarantor at the Guarantor’s physical address and/ or postal address calling up this Performance Guarantee, such demand stating that:
 - 5.1. The contractor has been termination due to the Contractor’s default and this performance Guarantee is called up in terms of 5; or
 - 5.2. A provisional or final sequestration or liquidation court order has been granted against the Contractor and that the Performance Guarantee is called up in terms of 5; and
 - 5.3. The aforesaid written demand is accompanied by a copy of the notice of termination and/or the provisional /final sequestration and/or the provisional liquidation court order.
6. It is recorded that the aggregate amount of payments required to be made by the Guarantor in terms of 4 and 5 shall not exceed the Guarantor’s maximum liability in terms of 1.
7. Payment by the Guarantor in terms of 4 or 5 shall be made within seven (7) calendar days upon receipt of the first written demand to the guarantor.
8. Payment by Guarantor in terms of 5 will only be made against the return of the original Performance Guarantee by the Employer.
9. The Employer shall have the absolute right to arrange his affairs with the Contractor in any manner which the Employer may deem fit and the Guarantor shall not have the right to claim his release from his Performance Guarantee on account alleged to be prejudicial to the Guarantor.
10. The Guarantor chooses the physical address and postal address as stated above for the service of all notices for all purposes in connection herewith.
11. This Performance Guarantee is neither negotiable nor transferable and shall expire in terms of 2, where after on claims will be considered by the Guarantor. The original of this Guarantee shall be returned to the Guarantor after it has expired.
12. This Performance Guarantee, with the required demand notices in terms of 4 or 5, shall be regarded as a liquid document for the purposes of obtaining a court order.
13. Where this Performance Guarantee is issued in the Republic of South Africa the Guarantor hereby consents in terms of Section 45 of the Magistrate’s Court Act No 32 of 1944, as amended, to the jurisdiction of the Magistrate’s Court of any district having jurisdiction in terms of Section 28 of the said Act, notwithstanding that the amount of the claim may exceed the jurisdiction of the Magistrate’s Court.

Sign at -----

Date -----

Guarantor’s signatory (1) -----

Capacity -----

Guarantor’s signatory (2) -----

Capacity -----

Witness signatory (1) -----

Witness signatory (2) -----

**RETENTION MONEY GUARANTEE
(Not to be completed at tender stage)**

In accordance with clause 6.2.1 of General Conditions of Contract, 2nd Edition 2010

Contract No: -----

Description of Contract: -----

GUARANTOR DETAILS AND DEFINATIONS

“Guarantor” means: -----

----- (Please put name of firm)

Please address: -----

Postal address: -----

Tel:-----

Fax: -----

“Employer” means: **VHEMBE DISTRICT MUNICIPALITY.**

“Contractor” means: -----

----- (Please put name of firm)

“Guarantee sum” means: 10% of the contract amount

“Engineer” means: **MORULA CONSULTING ENGINEERS AND PROJECT MANAGERS**

“Works” means: Permanent works together with temporary works

“Site” means: The land and other places, made available by the Employer for the purpose of the contract, on under over in or through which the works are to be executed or carried out.

“Contractor” means: The Agreement made in terms of the Form of Offer and Acceptance and such amendments or additions to the Contractor as may be agreed in writing between the parties.

“Contract Sum” means: The accepted amount inclusive for tax of R-----

Amount in words: -----

“Expiry Date” This Guarantee shall expire upon the issue of the final completion certificate issued by Vhembe District Municipality signed by the Director of ENGINEERING Services, as such date is advised to the Guarantor in writing confirmed by the Employer.

CONTRACT DETAILS

Engineer issues: Interim Payment Certificates, Final Payment Certificate and the Certificate Completion of the Work as defined in the Contract.

RETENTION GUARANTEE

1. The Guarantor's liability shall be limited to the amount of the Guaranteed Sum.
2. Expiry Date" This Guarantee shall expire upon the issue of the final completion certificate issued by Vhembe District Municipality signed by the Director of ENGINEERING Services, as such date is advised to the Guarantor in writing confirmed by the Employer
The Engineer and/or the Employer shall advise the Guarantor in writing of the date on the Certificate of the works has been issued.
3. The Guarantor hereby acknowledges that:
 - 3.1. Any reference in this performance Guarantee to the Contract is made for the purpose of convenience and shall not be construed as any intention whatsoever to create an accessory obligation or any intention whatsoever to create a surety ship;
 - 3.3 . Its obligation under this Retention Guarantee is restricted to the payment of money.
4. Subject to the Guarantor's maximum liability referred to in 1, the Guarantor hereby undertakes to pay the Employer the sum certified upon receipt of the documents identified in 4.1 to 4.3:
 - 4.1. A copy of a first written demand issues by the Employer to the Contractor stating that payment of a sum certified by the Engineer and/ or Employer in an Interim or Final Payment Certificate has not been made in terms of the Contract and failing such payment within seven (7) calendar days, the Employer intends to call upon the Guarantor to make payment in terms of 4.2;
 - 4.2. A first written demand issued by the Employer to the Guarantor at the Guarantor's physical address and / or postal address with a copy to the Contractor stating that period of seven (7) days has elapsed since the first written demand terms of 4.1 and the sum certificate has still not been paid;
 - 4.3. A copy of the aforesaid payment certificate which entails the Employer to receive payment in terms of the Contract sum in 4.
5. Subject to the Guarantor's maximum liability referred to in 1, the Guarantor undertakes to pay to the Employer the Guaranteed sum or the full outstanding balance upon receipt of a first written demand from the Employer to the Guarantor at the Guarantor's physical address and/ or postal address calling up this Performance Guarantee, such demand stating that:
 - 5.1. The contractor has been terminated due to the Contractor's default and this Retention Guarantee is called up in terms of 5; or
 - 5.2. A provisional or final sequestration or liquidation court order has been granted against the Contractor and that the Retention Guarantee is called up in terms of 5; and
 - 5.3. The aforesaid written demand is accompanied by a copy of the notice of termination and/or the provisional /final sequestration and/or the provisional liquidation court order.

6. It is recorded that the aggregate amount of payments required to be made by the Guarantor in terms of 4 and 5 shall not exceed the Guarantor's maximum liability in terms of 1.
7. Payment by the Guarantor in terms of 4 or 5 shall be made within seven (7) calendar days upon receipt of the first written demand to the guarantor.
8. Payment by Guarantor in terms of 5 will only be made against the return of the original Retention Guarantee by the Employer.
9. The Employer shall have the absolute right to arrange his affairs with the Contractor in any manner which the Employer may deem fit and the Guarantor shall not have the right to claim his release from his Retention Guarantee on account alleged to be prejudicial to the Guarantor.
10. The Guarantor chooses the physical address and postal address as stated above for the service of all notices for all purposes in connection herewith.
11. This Retention Guarantee is neither negotiable nor transferable and shall expire in terms of 2, where after on claims will be considered by the Guarantor. The original of this Guarantee shall be returned to the Guarantor after it has expired.
12. This Retention Guarantee, with the required demand notices in terms of 4 or 5, shall be regarded as a liquid document for the purposes of obtaining a court order.
13. Where this Retention Guarantee is issued in the Republic of South Africa the Guarantor hereby consents in terms of Section 45 of the Magistrate's Court Act No 32 of 1944, as amended, to the jurisdiction of the Magistrate's Court of any district having jurisdiction in terms of Section 28 of the said Act, notwithstanding that the amount of the claim may exceed the jurisdiction of the Magistrate's Court.

Sign at -----

Date -----

Guarantor's signatory (1) -----

Capacity -----

Guarantor's signatory (2) -----

Capacity -----

Witness signatory (1) -----

Witness signatory (2) -----

VHEMBE DISTRICT MUNICIPALITY



**WATER SUPPLY AND BULK WATER RETICULATION OF
NGWENANI THEMELI, NGULUMBI, NGOVHELA BACKSIDE,
MADAMALALA, PHINDULA, MAEMBENI AND MULEDZHI**

PHASE 2D (NGWENANI THEMELI)

C.1.2 Contract Data

CONTENTS

C.1.2.1 Part 1: Data provided by the Employer

C.1.2.1.1 Conditions of Contract

C.1.2.1.2 Contract-specific Data

C.1.2.1.2.1 Compulsory Data

C.1.2.1.2.2 Variations to the General Conditions of Contract

C.1.2.1.2.3 Additional clauses to the General Conditions of Contract

Article I. C.1.2.1 Part 1: .Data provided by the Employer

C.1.2.1.1 Conditions of Contract

The Conditions of Contract are:

- the “General Conditions of Contract” as they appear in the commercially-available publication “General Conditions of Contract for Construction Works, Second Edition, 2010”, hereinafter referred to as “GCC 2010”; and
- specific data as contained in this Contract Data.

Each party to the Contract shall purchase its own copy of the GCC 2010 that applies to this Contract, available from its publisher:

South African Institution of Civil Engineering
 Private Bag X200
 Halfway House
 1685
 South Africa

Tel +27 (0)11 805 5947

The following Notes apply:

Note 1

The GCC 2010 makes several references to the Contract Data.

Each item of data below is cross-referenced to the clause in the Conditions of Contract to which it applies. Notwithstanding anything specified to the contrary, the Contract Data shall take precedence in the interpretation of any ambiguity or inconsistency between it and the GCC 2010.

The documents forming the Contract are to be taken as mutually explanatory of one another. For the purpose of interpretation, the priority of the documents shall be in accordance with the following order of precedence:

- (a) the Form of Offer and Acceptance.
- (b) amendments to the General Conditions of Contract within the Contract Data.
- (c) additional conditions to the General Conditions of Contract within the Contract Data.
- (d) corrigenda to the General Conditions of Contract.
- (e) the General Conditions of Contract.
- (f) the Specifications, Drawings, Schedules and other documents forming part of the Contract (in that order) contained in the Scope of Work and the Site Information.

If any ambiguity or discrepancy is found in the documents, the Engineer needs to be contacted to issue any necessary clarification or instruction.

Note 2

Certain pro-forma forms and pro-forma agreements contained in the GCC 2010 have been adapted for this particular contract. Those pro-forma forms and pro-forma agreements contained in the GCC 2010 do not apply where replaced by similar pro-forma forms and pro-forma agreements in this document.

C.1.2.1.2 Contract-specific Data

The following contract-specific data, referring to the General Conditions of Contract, are applicable to this Contract:

C.1.2.1.2.1 Compulsory Data

Clause	<i>Data</i>																								
1.1.1.13	The Defects Liability Period is 12 months																								
1.1.1.14	The time for achieving Practical Completion is 14 months																								
1.1.1.15	The name of the Employer is Vhembe District Municipality																								
1.1.1.26	The Pricing Strategy of a Re-measurement Contract shall apply																								
1.2.1.2	<p>The address of the Employer is:</p> <p>Physical address: Old Parliament, Government Complex, Tusk Venda Street, Thohoyandou</p> <p>Private Bag x5006, Thohoyandou, 0950 Contact numbers: Corporate: 015 960 2000</p>																								
1.1.1.16	<p>The name of the Engineer is:</p> <p>Morula Consulting Engineers and Project Managers</p>																								
1.2.1.2	<p>The address of the Engineer is:</p> <p>Physical address: Stand 54 Dorp street Polokwane; 0699</p> <p>Postal address: P O Box 2740 Polokwane; 0700</p> <p>e-mail address: prince@morulaconsulting.co.za</p> <p>Contact numbers: Corporate: 087 821 7033 Mobile: 061 090 6256 Fax: 015 291 1344</p>																								
3.1.3	<p>The Engineer shall obtain the specific approval of the Employer before executing any of his functions or duties according to the following table:</p> <table border="1" style="width: 100%; border-collapse: collapse;"> <thead> <tr> <th style="text-align: center;">GCC Clause No</th> <th style="text-align: center;">Description</th> <th style="text-align: center;">Requires EWA*</th> <th style="text-align: center;">Delegated to ER*</th> </tr> </thead> <tbody> <tr> <td style="text-align: center;">3.2.1</td> <td>Engineer's Representative's appointment and termination</td> <td style="text-align: center;">Y</td> <td></td> </tr> <tr> <td style="text-align: center;">3.2.4</td> <td>Engineer's Representative acting on Engineer's behalf</td> <td style="text-align: center;">Y</td> <td></td> </tr> <tr> <td style="text-align: center;">4.5.4</td> <td>Payment for notices and fees</td> <td style="text-align: center;">Y</td> <td></td> </tr> <tr> <td style="text-align: center;">4.7.1</td> <td>Fossils, etc on Site</td> <td style="text-align: center;">Y</td> <td></td> </tr> <tr> <td style="text-align: center;">5.7.2</td> <td>Work at night</td> <td style="text-align: center;">Y</td> <td></td> </tr> </tbody> </table>	GCC Clause No	Description	Requires EWA*	Delegated to ER*	3.2.1	Engineer's Representative's appointment and termination	Y		3.2.4	Engineer's Representative acting on Engineer's behalf	Y		4.5.4	Payment for notices and fees	Y		4.7.1	Fossils, etc on Site	Y		5.7.2	Work at night	Y	
GCC Clause No	Description	Requires EWA*	Delegated to ER*																						
3.2.1	Engineer's Representative's appointment and termination	Y																							
3.2.4	Engineer's Representative acting on Engineer's behalf	Y																							
4.5.4	Payment for notices and fees	Y																							
4.7.1	Fossils, etc on Site	Y																							
5.7.2	Work at night	Y																							

Clause	<i>Data</i>																																						
5.7.3	Acceleration of rate of progress	Y																																					
5.7.3	Payment for acceleration	Y																																					
5.9.1	Instructions and drawings on Commencement Date		Y																																				
5.11.1	Suspension of the Works		Y																																				
5.11.3	Proceeding with Works after suspension	Y																																					
5.12.4	Acceleration instead of extension of time	Y																																					
5.13.2	Reduction in penalty		Y																																				
6.3.1	Variation orders	Y																																					
<table border="1" style="width: 100%; border-collapse: collapse;"> <thead> <tr> <th style="text-align: center;">GCC Clause No</th> <th style="text-align: center;">Description</th> <th style="text-align: center;">Requires EWA*</th> <th style="text-align: center;">Delegated to ER*</th> </tr> </thead> <tbody> <tr> <td>6.3.2.1</td> <td>Confirmation of a Variation Order</td> <td>Y</td> <td></td> </tr> <tr> <td>6.4.1.4</td> <td>Dayworks as a Variation Order</td> <td>Y</td> <td></td> </tr> <tr> <td>6.5.2</td> <td>Materials for dayworks</td> <td>Y</td> <td></td> </tr> <tr> <td>6.8.4</td> <td>Costs due to changes in legislation</td> <td>Y</td> <td></td> </tr> <tr> <td>6.11.1</td> <td>Variations exceeding 20%</td> <td></td> <td>Y</td> </tr> <tr> <td>8.2.2.2</td> <td>Damage due to excepted risks</td> <td></td> <td>Y</td> </tr> <tr> <td>10.1.5</td> <td>Consultation on Contractor's claim</td> <td>Y</td> <td>Y</td> </tr> <tr> <td>10.1.5</td> <td>Ruling on Contractor's claim</td> <td>Y</td> <td>N</td> </tr> </tbody> </table> <p>*The following abbreviations apply: ER Engineer's Representative EWA Engineer's Written Action N No NA Not Applicable Y Yes</p>				GCC Clause No	Description	Requires EWA*	Delegated to ER*	6.3.2.1	Confirmation of a Variation Order	Y		6.4.1.4	Dayworks as a Variation Order	Y		6.5.2	Materials for dayworks	Y		6.8.4	Costs due to changes in legislation	Y		6.11.1	Variations exceeding 20%		Y	8.2.2.2	Damage due to excepted risks		Y	10.1.5	Consultation on Contractor's claim	Y	Y	10.1.5	Ruling on Contractor's claim	Y	N
GCC Clause No	Description	Requires EWA*	Delegated to ER*																																				
6.3.2.1	Confirmation of a Variation Order	Y																																					
6.4.1.4	Dayworks as a Variation Order	Y																																					
6.5.2	Materials for dayworks	Y																																					
6.8.4	Costs due to changes in legislation	Y																																					
6.11.1	Variations exceeding 20%		Y																																				
8.2.2.2	Damage due to excepted risks		Y																																				
10.1.5	Consultation on Contractor's claim	Y	Y																																				
10.1.5	Ruling on Contractor's claim	Y	N																																				
3.1.4	Delete this clause.																																						
4.9.1	The Contractor shall deliver to the Engineer, on a monthly basis, a detailed inventory of Construction Equipment kept on Site, full particulars given for each day of the month. Distinction shall be made between Owned Equipment and Hired Equipment as well as Equipment in working order and Equipment out of order. Such inventory shall be submitted by the seventh day of the month following the month to be reported.																																						
4.10.2	The Contractor shall deliver to the Engineer, on a monthly basis, a return in detail of supervisory staff and the number of categorized classes of labour employed each day for the said period by the Contractor for execution of the Contract. Such return shall be submitted by the seventh day of the month following the month to be reported.																																						

Clause	Data
5.3.1	<p>The documentation required before commencement with Works execution are:</p> <p>Health and Safety Plan (Refer to Clause 4.3) A signed Agreement between the Employer and the Contractor for the Works to be completed by the Contractor in terms of the provisions of Section 37(2) of the Occupational Health and Safety Act (Act No.85 of 1993) and the Construction Regulations promulgated thereunder (Refer to Clause 4.3). Proof of payment to the Employer, that the Contractor has paid all contributions required in terms of the Compensation for Occupational Injuries and Diseases Act, No 130 of 1993 (Refer to Clause 4.3). Initial programme (Refer to Clause 5.6). Security (Refer to Clause 6.2). Insurance (Refer to Clause 8.6).</p>
5.3.2	<p>The time to submit the documentation required before commencement with Works execution is 14 Days.</p>
5.4.2	<p>The access and possession of Site shall not be exclusive to the Contractor but shall be as set out elsewhere in the Contract.</p>
5.8.1	<p>The non-working Days are Sundays.</p> <p>The special non-working Days are:</p> <p>Statutory public holidays; and</p> <p>All annual year-end shutdown periods as recommended by the South African Federation of Civil Engineering Contractors (SAFCEC), and which commence after the Commencement Date and which commence before the Due Completion Date.</p>
5.13.1	<p>The penalty for failing to complete the Works is R 2000.00 per calendar day.</p>
5.16.3	<p>The latent defect period is 10 years, commencing on the Day after the date of certification of Practical Completion.</p>
6.5.1.2.3	<p>The percentage allowance to cover overhead charges is: 50 per cent for labour; and 15 per cent for materials.</p>
6.10.1.5	<p>The percentage advance on materials not yet built into the Permanent Works is 80%. Proof of ownership is required.</p>
6.10.3	<p>The limit of retention money is 10% of the value of the Contract Price. A Retention Money Guarantee is compulsory. A penalty will be applied for non-delivery of the Retention Money Guarantee as required. The penalty will be 10% of the value of the completion Retention Money Amount per calendar month for late delivery of the said Retention Money Guarantee.</p>
8.6.1.1.2	<p>The value of Plant and materials supplied by the Employer to be included in the insurance sum is</p>
8.6.1.1.3	<p>The amount to cover professional fees for repairing damage and loss to be included in the insurance sum is a maximum of 10% (ten percent) of the Contract Sum.</p>
8.6.1.3	<p>The limit of indemnity for liability insurance is equal to the contract amount.</p>
10.5.1	<p>Dispute resolution shall be by standing adjudication, use GCC 2010, Appendix 5.</p>
10.7.1	<p>The determination of disputes shall be by arbitration.</p>

C.1.2.1.2.2 Variations to the General Conditions of Contract

Clause	<i>Data</i>
2.5.1	<p>Cession</p> <p><i>Amend Clause 2.5.1 as follows:</i></p> <p><i>Delete the words “without the written consent of the other”</i></p>
5.14.5.1	<p>Consequences of Completion</p> <p><i>Amend Clause 5.14.5.1 as follows:</i></p> <p><i>In the second line, substitute the word ‘Guarantor’ with ‘Contractor’.</i></p>
6.2	<p>Security</p> <p><i>Replace Sub-Clauses 6.2.1 and 6.2.2 with:</i></p> <p>“The Contractor shall deliver to the Employer within such time as may be stated in the Contract Data, a Demand Guarantee, of an Insurance Company registered in terms of the Short-term Insurance Act (Act 53 of 1998) or of a registered Commercial Bank, in a sum equal to the amount stated in the Contract Data. The Demand Guarantee shall be issued by an entity subject to the approved of the Employer, and shall conform in all respects to the format contained in the Contract Data.</p> <p>The security to be provided by the Contractor shall be a Demand Guarantee of 10% of the Contract Sum.</p> <p>Wherever a joint venture constitutes the contracting party, the Demand Guarantee shall be issued on behalf of the joint venture.</p> <p>Failure to produce an acceptable Demand Guarantee within the period stated in the Contract Data, is a fundamental breach of Contract, entitling the Employer to cancel the Contract by due notice in terms of Clause 9.2 with specific reference to Sub-clause 9.2.2 as amended in the Contract Data.”</p>
6.3.1	<p>Variations</p> <p><i>Amend Clause 6.3.1, as follows:</i></p> <p><i>In the first paragraph, third line, after the words "or for any reason appropriate", add the phrase</i> <i>" , including the limiting of contract expenditure so as not to exceed the Employer's budgeted project funding, "</i></p> <p><i>Add the following phrase to the last paragraph of Clause 6.3.1.6, after the words "ascertaining the amount of the Contract Price":</i></p> <p><i>" , and no such variation shall give reason for consideration of any claim in terms of Clause 6.11."</i></p>
6.3.2	<p>Orders for Variations to be in writing</p> <p>Omit the words “Provided that” under Clause 6.3.2 and omit Clause 6.3.2.1.</p>

Clause	Data
6.9.2	<p>Definition of “materials”</p> <p><i>Amend Clause 6.9.2, as follows:</i></p> <p><i>Substitute the word ‘plant’ with ‘Plant’.</i></p>
6.10.1	<p>Interim Payments</p> <p><i>Amend Clause 6.10.1.5 as follows:</i></p> <p><i>In the third line, add the words ‘not yet’ before the words ‘built into’</i></p>
6.10.5	<p>Payment of retention money</p> <p><i>Amend Clause 6.10.5 as follows:</i></p> <p><i>In the second line, add the words ‘, if any,’ after the words ‘Defects Liability Period’</i></p>
6.10.6	<p>Set-off and delayed payments</p> <p><i>Amend Clause 6.10.6.2 as follows:</i></p> <p><i>Delete the words ‘simple interest’ and substitute with the words ‘interest compounded monthly’.</i></p> <p><i>Delete the words ‘Contractor’s Bank’ and substitute with the words ‘Employer’s Bank’</i></p>
6.11	<p>Variations exceeding 15 per cent</p> <p><i>Replace the marginal heading with:</i></p> <p>“Variations exceeding 20 per cent”</p> <p><i>Replace “15 per cent” with “20 per cent” in the text of this Sub-Clause</i></p>
7.4.4	<p>Cost of test specimens and tests</p> <p><i>Amend Clause 7.4.4.2 as follows:</i></p> <p><i>In the <u>second</u> line of paragraph two, add the words ‘the requirements of’ before the words ‘the Contract’</i></p>
7.8.2	<p>Cost of making good of defects</p> <p><i>Amend Clause 7.8.2.1 as follows:</i></p> <p><i>In the first line, correct the spelling of ‘therefore’.</i></p>
8.1.3	<p>Excessive loads and traffic</p> <p><i>In the third line, add a comma after the word ‘Site’ as follows: ‘in the vicinity of the Site, from’.</i></p>
8.3.1	<p>Excepted risks</p> <p><i>Amend Clause 8.3.1.10 as follows:</i></p> <p><i>In the second line, delete the words ‘Employer or any of their’ and substitute with ‘or any of its’.</i></p>

Clause	Data
8.6.6	<p>Contractor to produce proof of payment</p> <p>“The Contractor shall before commencement of the Works produce to the Engineer:</p> <p>8.6.6.1 The policies by which the insurances are effected,</p> <p>8.6.6.2 Proof that due payment of all premiums there under, covering the full required period has been made, and</p> <p>8.6.6.3 Proof of continuity of the policies for the required period.</p>
	<p>Should, during the currency of the Contract, the required period of insurance be extended for any reason, the Contractor shall timeously extend (so as to maintain) the said insurances for the full extended duration.</p> <p>The Engineer shall be empowered to withhold all payment certificates until the Contractor has complied with his obligations in terms of this Clause 8.6.6.”</p>
8.6.7	<p>Remedy on Contractor’s failure to insure</p> <p><i>Delete sub-clause 8.6.7 and substitute with:</i></p> <p>“Failure on the part of the Contractor to effect and keep in force any of the insurances referred to in Clause 8.6.1 and its sub-clauses, is a fundamental breach of Contract, entitling the Employer to cancel the Contract by due notice in terms of Clause 9.2 and with specific reference to sub-clause 9.2.2, as amended in the Contract Data.”</p>
9.1.2	<p>State of emergency</p> <p><i>In the <u>fourth</u> line, delete the words ‘supply of’ and substitute with ‘availability of’.</i></p>
9.2	<p>Termination by Employer</p> <p><i>Delete the contents of Clause 9.2 and substitute with:</i></p> <p>“9.2.1 The Employer may terminate the Contract by written notice to the Contractor if:</p> <p>9.2.1.1 Sequestration of the Contractor’s estate is ordered by a Court with due jurisdiction, or</p>
	<p>9.2.1.2 The Contractor publishes a notice of surrender or presents a petition for the surrender of his estate as insolvent, or makes a compromise with his creditors, or assigns in favour of his creditors, or agrees to carry out the Contract under the supervision of a committee representing his creditors, or (being a company) goes into liquidation, whether provisionally or finally (other than a voluntary liquidation for the purpose of amalgamation or reconstruction), or if the Contractor assigns the Contract without having first obtained the Employer’s consent in writing, or if execution is levied on his goods, or</p>
	<p>9.2.1.3 The Contractor, or anyone on his behalf, or in his employ, offers to any person in the employ of the Employer or the Engineer, a gratuity or reward or commission, or</p>
	<p>9.2.1.4 The Contractor furnished materially inaccurate information in his Tender, which had a bearing on the award of the Contract, or</p>
	<p>9.2.1.5 The Contractor has abandoned the Contract.</p>

Clause	Data
	<p>9.2.2 If the Contractor:</p> <p>9.2.2.1 Has failed to commence the Works in terms of Clause 10 hereof, or has suspended the progress of the Works for fourteen (14) days after receiving from the Engineer written notice to proceed, or</p> <p>9.2.2.2 Has failed to provide the Guarantee in terms of Clause 7 within the time stipulated in the Contract Data, or</p> <p>9.2.2.3 Has failed to proceed with the Works with due diligence, or</p> <p>9.2.2.4 Has failed to remove materials from the Site or to pull down and replace work within fourteen (14) days after receiving from the Engineer written notice that the said materials or work have been condemned and rejected by the Engineer in terms of these conditions, or</p> <p>9.2.2.5 Is not executing the Works in accordance with the Contract, or is neglecting to carry out his obligations under the Contract, or</p> <p>9.2.2.6 Has, to the detriment of good workmanship or in defiance of the Engineer's instructions to the contrary, sublet any part of the Contract, or</p> <p>9.2.2.7 Has assigned the Contract or any part thereof without the Employer's consent in writing,</p> <p>then the Employer may give the Contractor 14 days notice to rectify the default, and if the Contractor fails to rectify the default in said 14 days, then, without further notice, notify the Contractor in writing of the termination of the Contract and expel the Contractor and order the Contractor to vacate the site within 24 hours of issue of the Notice of Termination and to hand the Site over to the Employer, and the Employer may then enter upon the Site and the Works without affecting the rights and powers conferred on the Employer or the Engineer by the Contract and the Employer may himself complete the Works or may employ another contractor to complete the Works, and the Employer or such other contractor may use for such completion so much of the Construction Equipment, Temporary Works and materials brought onto the Site by the Contractor as the Employer may think proper, and the Employer may at any time sell any of the said Construction Equipment, Temporary Works and unused materials and apply the proceeds of sale towards payment of any sums that may be due or become due to the Employer by the Contractor under the Contract. In such circumstances the Contractor shall forthwith vacate the Site and shall not be entitled to remain on the Site on the grounds that he is entitled to do so on a right of retention until amounts due to him have been paid, neither will the Contractor be entitled to any further payments in terms of this Contract.</p>
	<p>9.2.3 If the Contractor, having been given notice to rectify a default in terms of 9.2.2 above, rectifies said default, but later repeats the same or substantially the same default, then the Employer may notify the Contractor of the immediate termination of the Contract, and proceed as stated in the paragraph following the word 'writing' in Clause 9.2.2.7 above.</p>
	<p>9.2.4 Should the amounts that the Employer must pay to complete the Works, exceed the sum that would have been payable to the Contractor on due completion by him, then the Contractor shall upon demand pay to the Employer the difference, and it shall be deemed a debt due by the Contractor to the Employer and shall be recoverable accordingly. Provided that should the Contractor on demand not pay the amount of such excess to the Employer, such sum may be determined and deducted by the Employer from any sum due to or that may become due to the Contractor under this or any previous or subsequent contract between the Contractor and the Employer."</p>

C.1.2.1.2.3 Additional clauses to the General Conditions of Contract:

Clause	<i>Data</i>
1.1	<p>Definitions</p> <p><i>Add the following at the end of Sub-Clause 1.1.1:</i></p>
1.1.1.35	<p>“Client”, as used in the Occupational Health and Safety Act - Construction Regulations, means Employer.</p>
1.1.1.36	<p>“Principal Contractor”, as used in the Occupational Health and Safety Act - Construction Regulations, means Contractor.</p>
4.12	<p>Contractor’s superintendence</p> <p><i>Add the following sub-clause 4.12.4 to Clause 4.12:</i></p> <p>“Where a form is included in the Contract Data for this purpose, the Tenderer shall fill in the name of the person he proposes to entrust with the post of Contractor’s Site Agent on this Contract in the space provided therefore. Previous experience of this person on work of a similar nature during the past five (5) years is to be entered on the form.</p> <p>The Contractor’s Site Agent shall be on Site at all times when work is being performed.</p> <p>The person shall be subject to approval of the Engineer in writing and shall not be replaced or removed from Site without the written approval of the Engineer.”</p>
5.6	<p>Programme</p> <p><i>Add the following sub-clause 5.6.6 to Clause 5.6:</i></p> <p>“Failure on the part of the Contractor to deliver to the Engineer, the</p> <ul style="list-style-type: none"> • programme of the Works in terms of Clause 5.6.1 and • supporting documents in terms of Clause 5.6.2 <p>Within the period stated in the Contract Data, shall be sufficient cause for the Engineer to retain 25 per centum of the value of the Fixed Charge and Value-related items in assessment of amounts due to the Contractor, until the Contractor has submitted aforementioned first Programme of the Works and Supporting Documents”.</p>
5.9.7	<p>Engineer to approve Contractor’s Designs and Drawings</p> <p><i>Add the following sub-clause 5.6.6 to Clause 5.6:</i></p> <p>“All designs, calculations, drawings and operation and maintenance manuals shall be fully endorsed by a third party registered engineer, accomplished in such specific field of practice and the cost thereof shall be borne solely by the Contractor.</p> <p>Once the alternative design has been approved, the Contractor shall indemnify and hold harmless the Engineer, the Employer, their agents and assigns, against all claims howsoever arising out of the said design, whether in contract or delict”.</p>

Clause	Data
5.11	<p>Suspension of the Works</p> <p><i>Add the following sub-clause 5.11.4 to Clause 5.11:</i></p> <p>“If the Contractor does not receive from the Employer the amount due under an Interim Payment Certificate within 28 days after expiry of the time stated in sub-clause 6.10.4 within which payment is to be made (except for deductions in accordance with sub-clauses 6.10.1.6 and 6.10.1.7), the Contractor may, after giving 14 days’ notice to the Employer, suspend the progress of the Works.</p> <p>The Contractor’s action shall not prejudice his entitlements to a claim in terms of Clause 10.1 and to cancellation of the Contract in terms of Clause 9.3.</p> <p>If the Contractor subsequently receives full payment of the amount due under such Interim Payment Certificate before giving a notice of cancellation of the Contract, the Contractor shall resume normal working as soon as is reasonably practicable.”</p>
5.12	<p>Extension of Time for Practical Completion</p> <p><i>Add the following at the end of Sub-Clause 5.12.2.2:</i></p> <p>“The extension of time to be allowed due to abnormal rainfall shall be calculated separately for each calendar month or part thereof in accordance with the following formula:</p> $V = (Nw - Nn) + \left(\frac{Rw - Rn}{x} \right)$ <p>where</p> <p>V = Extension of time in calendar days for the calendar month under consideration</p> <p>Nw = Actual number of days during the calendar month on which a rainfall of 10 mm or more has been recorded</p> <p>Nn = Average number of days for the calendar month on which a rainfall of 10 mm or more has been recorded, as derived from existing rainfall records</p> <p>Rw = Actual recorded rainfall for the calendar month</p> <p>Rn = Average rainfall for the calendar month, as derived from existing rainfall records</p> <p>x = 20</p> <p>The rainfall records which shall provisionally be accepted for calculation purposes are:</p> <p style="text-align: center;">Based on records taken at: Rainfall Station : Thohoyandou Years of record: 1977 – 2010</p>

Clause	<i>Data</i>		
	Month	Average rainfall for calendar month Rn	Average number of days for calendar month on which a rainfall of 10 mm or more were recorded Nn
		(mm)	(days)
	January	91	3
	February	72	2
	March	61	2
	April	3	1
	May	22	0
	June	4	0
	July	5	0
	August	4	0
	September	14	1
	October	41	1
	November	80	3
	December	91	3
	<p>The factor (Nw - Nn) shall be considered to represent a fair allowance for days during which rainfall exceeds 10 mm and the factor (Rw - Rn)/x shall be considered to represent a fair allowance for those days when rainfall does not exceed 10 mm but wet conditions prevent or disrupt work.</p> <p>The total extension of time shall be the algebraic sum of all monthly totals for the contract period, but if the algebraic sum is negative the time for completion shall not be reduced due to subnormal rainfall. Extensions of time for a part of a month shall be calculated using pro rata values of Nn and Rn.”</p> <p>For this project the rainfall formula will only apply as background information, or dispute resolution. Extension of time for rainfall will only be granted on Actual Delays experienced; noted and agreed upon by the engineer.</p>		
6.10	<p>Payments</p> <p><i>Add the following at the end of Sub-Clause 6.10.1:</i></p> <p>“The Contractor shall complete the ‘Contractor’s Monthly Report Schedule’, which pro forma documentation is obtainable from the Engineer. Pursuant to Sub-Clause (1), these, duly signed by all concerned, together with the Contractor’s statement and a VAT invoice in original format are to be submitted to the Engineer. Issue by the Engineer to the Employer and Contractor of any signed payment certificate is conditional to this information being fully endorsed, accurately and timeously submitted to the Engineer”.</p>		
	<p><i>Add the following at the end of Sub-Clause 6.10.1.5:</i></p>		

Clause	<i>Data</i>
	<p>“All documentary evidence of such materials shall be unambiguous with respect to ownership having fully passed to the Contractor on or before the date of submittal of the Contractor’s monthly statement.</p> <p>Should the Contractor fail to supply unambiguous documentary evidence, he shall, prior to submittal of his monthly statement, deliver to the Employer a Guarantor Guarantee in the form contained in the Appendices to the Contract Data.”</p>
9.3	<p>Termination by the Contractor</p> <p><i>Add the following at the end of Sub-Clause 9.3:</i></p> <p>9.3.5 “In addition to, or as an alternative to the rights to termination contained in this Clause 9.3, the Contractor may notify the default to the Employer, with a copy to the Engineer, and if the default is not rectified within 10 days the Contractor may suspend progress of the works until a date 7 days after the default is rectified. The Contractor shall be entitled to extension of time to the extent of delay caused by or resulting from such suspension, and to payment of additional costs caused by or resulting from the suspension. Such extension of time and additional costs shall be promptly ascertained by the Engineer, who shall then grant the extension of time and include the additional costs in all future payment certificates. Such suspension, extension of time and/or payment of additional costs, shall not prejudice the Contractor’s rights to cancel the contract.”</p>

C.1.2.2 Part 2: Data provided by the Contractor

Section 1.01 *The General Conditions of Contract, as specified in Part 1, shall be used as a basis for this Data which is required to be completed.*

Each item of data given below is cross-referenced to the clause in the Conditions of Contract to which it mainly applies.

Clause	Data
1.1.1.9	The Name of the Contractor is:
1.2.1.2	The address of the Contractor is: Physical address:
1.2.1.2	Postal address: e-mail address: Contact numbers: Corporate: Direct: Mobile: Fax:

C1.4 OCCUPATIONAL HEALTH AND SAFETY AGREEMENT

This agreement is mandatory for all contractors appointed by the Vhembe District Municipality or any other institution that do work for or on behalf of Municipality.

This agreement is between:

THE CONTRACTOR:

Herein represented by

In his capacity asBeing duly authorized hereto hereinafter referred to as "contractor".

Compensation Commissioner Number:

(Attach a copy of the Registration Certificate to this agreement)

Company : Name:

Registration Number:

CEO : Name:

ID Number:

Physical Address:

.....

**And the VHEMBE DISTRICT MUNICIPALITY
(Hereinafter referred to as "the Council")**

1. DEFINITIONS

- 1.1 **CONTRACTOR** Means the “Contractor” as defined in the “Principal Contract”.
Annexed hereto in his capacity as mandatory.
- 1.2 **MANDATORY** Includes an agent, contractor or subcontractor for work to be done or service rendered, but without derogating from his status in his own right as an employer of people or user of equipment, machinery, tools or materials.
- 1.3 **THE PRINCIPAL CONTRACT** Means the contract annexed hereto as annexure “A”.
- 1.4 **COUNCIL** Means the Vhembe District Municipality
- 1.5 **RISK CONTROL OFFICER** A person appointed in writing by Council.
- 1.6 Any definitions contained in any Statute hereinafter mentioned shall have the meaning allocated to it by the specific statute.

2. OBJECTIVE

- 2.1 Whereas Council and the Contractor have entered into a contract for service (work) as fully indicated in the “Principle Contract” and whereas the “Contractor” agreed to indemnify Council against the risks stated hereunder whether foreseeable or not, and, whereas it is agreed between the parties that it is of cardinal importance to safeguard both Council and the Contractor’s obligation in terms of relevant legislation as well as to extend the obligation as a company and/or legal person and/or person as an entity concerned with health, safety and the environment.
- 2.2 These rules are applicable to all contractors performing work for Council within the jurisdictional area of the Council and on any premises, which are owned, rented or developed by the Council.
- 2.3 The Council acts through those officials or persons who are generally or specifically charged with the responsibility, in terms of legislation, as well as any other official or person who is generally or specifically charged with the control and supervision of the project.

IT IS HEREBY AGREED AS FOLLOWS:

3. INDEMNITIES

- 3.1 The “Contractor” hereby indemnifies the “Council” against any loss in respect of all claims, proceeding, damages, costs and expenses arising out of any claim or proceeding pertaining to the non compliance by the “Contractor” of any statutory requirements and/or requirements regarding the following Acts in particular pertaining to the provisions of:
 - 3.1.1 The Occupational Health and Safety Act 85 of 1993 (as amended), including the Construction Regulations, 2003 as promulgated on 18 July 2003, in terms of Section 43 of the Occupational Health and Safety Act, 1993 (Act No 85 of 1993), in Government Gazette No. 25207 and Regulation Gazette No. 7721. See Annexure B.
 - 3.1.2 The Health Act 63 of 1977.
 - 3.1.3 Road Traffic Act 29 of 1989 (as amended).
 - 3.1.4 Environment Conservation Act 73 of 1989.
 - 3.1.5 The National Water Act 36 of 1998.
 - 3.1.6 The Criminal Procedure Act 51 of 1977.
 - 3.1.7 The Explosives Act 26 of 1956.
 - 3.1.8 The Arms and Ammunition Act 75 of 1969.
 - 3.1.9 Compensation for Occupational Injuries and Diseases Act 130 of 1993.
 - 3.1.10 The Labour Relations Act 66 of 1995.

- 3.1.11 The Unemployment Insurance Act 30 of 1966 (as amended).
 - 3.1.12 The Basic Conditions of Employment Act 75 of 1997 (as amended).
 - 3.1.13 Standards Act 29 of 1993.
 - 3.1.14 any statutory provisions in any act and/or any law or bylaw of any local government and/or any published official standard incorporated into any statute or bylaw relating to the completion of the work set out in the "Principal Contract".
 - 3.1.15 Any other health and safety standard prescribed by the "Council".
- 3.2 The "Contractor" shall ensure that he familiarizes himself with the requirements of the above legislation and that he, his employees and any subcontractor will comply with all the statutory provisions contained in them.
- 3.3 The "Contractor" shall indemnify the "Council" in respect of any physical loss or damage to any plant, equipment or other property belonging to the "Contractor" or for which he is responsible and he hereby indemnifies the "Council" against any loss in respect of all claims, proceedings, damages, costs and expenses consequent upon the loss of or damage to any plant, equipment or other property belonging to, or which is the responsibility of, any subcontractor, agent or employee of the subcontractor.
- 3.4 The "Contractor" shall and hereby indemnifies the "Council" against any liability, loss, claim or proceedings whatsoever, whether arising in common law or by statute, consequent on personal injuries to or the loss of health or death of any person whosoever arising out of or in the course of or caused by the execution of the "Principal Contract".
- 3.5 The "Contractor" shall and hereby indemnifies the "Council" against any liability, loss, claim or proceedings consequent on loss of or damage to any movable or immovable property arising out of or in the course of or caused by the execution of the "Principal Contract" and due to any act or omission of the "Contractor", his agents, servants or subcontractors.

4. PERFORMANCE SAFE WORKING PRACTICE

- 4.1 The "Council" requires a high standard of safe work performance from all employees and expects that the standard be maintained by the "Contractor" within the "Council's" jurisdictional area or on its premises.
- 4.2 Irrespective of human considerations, the maintaining of these health and safety rules shall be the execution of the prescribed legal requirements. These rules are not to hinder the "Contractor" in rendering services or indemnify the "Contractor" from any legal responsibility to ensure healthy and safe work circumstances.
- 4.3 The "Council" shall assist the "Contractor" in any practical considerations to accommodate the healthy and safe execution of work and therefore require co-operation in the execution of these safety rules.

5. LOCK OUT PROCEDURE

- 5.1 When power or air driven machines or equipment, electrical apparatus or pipe lines are examined, repaired, adjusted, cleaned, lubricated or serviced in any other way than normal servicing, then all isolating switches, -levers, valves or appliances must be put in the "off" or "closed" position and locked.
- 5.2 Should more than one team work on a machine, then each person in control of a team, must put a separate lock on the switch, lever, valve or appliance.

6. CRANES, VEHICLES AND HOISTING

- 6.1 For each crane or hoisting equipment used, the “Contractor” must submit a valid and recent test certificate or other form of the last examination of the machine or equipment, to the “Council”.
- 6.2.1 Only trained personnel with written permission and where determined by Law, with a valid driver’s license, may be allowed to operate any electrical diesel or petrol driver overhead crane, hydraulic or electrical hoisting equipment, self driven forklift, tractor or any other crane or vehicle. No employee of the “Contractor” may perform any overhead work or work on an overhead crane or hoisting equipment or work near cranes or crane rail, before:
- i) An agreement was concluded with the “Council”.
 - ii) Approval has been obtained from the “Council” to perform the work.
 - iii) All applicable danger – and warning symbolic signs are put into position, or exemption, if applied for, is in operation.
- 6.3 The “Contractor” shall be wholly responsible for any loss or damage to cranes, hoisting equipment, plant, machines or equipment brought onto the work site by the “Contractor”

7. MACHINE VALANCES, PROTECTION AND FENDING

- 7.1 No machine valances, protection or fending may be removed from machines, manholes, etc without the written permission of “Council” if applicable exemption procedures were not appropriated.

8. SCAFFOLD, LADDERS, TOOLS AND EQUIPMENT

- 8.1 No equipment or appliance belonging to “Council” may be used without written permission from “Council”.
- 8.2 Unless prior arranged, “Contractors” must bring sufficient tools and equipment to the site to finish the contract, including offices and storerooms. The mentioned equipment remains the responsibility of the “Contractor” with respect to loss, damage and theft.
- 8.3 In exceptional cases, where tools and equipment belonging to “Council” are used to finish the contract, the said equipment and tools are used on own risk and the “Contractor” indemnifies “Council” from any claims that may arise. The said indemnity must be in writing, as well as information regarding the loan period, identification and condition of tools and equipment. The “Contractor” is responsible for the returning of said tools and equipment in the same condition or better. The “Contractor” is responsible to “Council” for any damage or excessive wear of such tools or equipment and material.

9. EXCAVATIONS

- 9.1 Before any excavations commence, written permission must be obtained from “Council” to confirm the location of existing electrical cables, water pipes, etc.
- 9.2 All excavations and obstructions in floor, tar and dirt surfaces must be fenced effectively and safeguarded between sundown and sunup with a sufficient amount of red/yellow warning lights and symbolic signs.
- 9.3 The surrounding area must be kept clean, safe and tidy during excavation. Excess material may not obstruct unnecessarily.
- 9.4 If any property is in danger during excavation, it must be supported and the proposed support work must be submitted to the Department of Labour (OHS) and “Council” for approval.
- 9.5 Written permission must be obtained from “Council” to grant admittance to restricted areas as well as areas where dangerous or poisonous gases are present.

10. FIRST AID

- 10.1 The "Contractor" must provide and maintain a first aid box equipped according to legal requirement where more than (5) five persons are employed. The first aid box must be in the care of a person with a competency certificate from one of the following organizations:
- (i) SA Red Cross Association;
 - (ii) St Johns Ambulance;
 - (iii) SA First Aid League; or
 - (iv) A person or organization approved by the Chief inspector for this purpose.
- 10.2 A visible notice must be put up on any work premises with the name of the person responsible for first aid. In an emergency "Council's" Ambulance / Fire Department or emergency services may be contacted at (015) 290 2000.

11. FLAMMABLE LIQUIDS

- 11.1 The "Contractor" shall be held responsible for the necessary precautionary fire prevention measures. No smoking signs must be put up where applicable. The "Contractor's" employees must be informed of "Council's" fire prevention measures and evacuation procedures.

12. COMPENSATION BY CONTRACTOR

- 12.1 The "Contractor" shall be held responsible for all loss of and damage to property, the death or injury of persons, the resultant loss or damage suffered as well as all law suits, claims, costs, charges, fines and expenses due to negligence, violation of statutory liability or neglect of the "Contractor" or the "Contractor's" employees.

13. TRANSGRESSION OF RULES AND MISBEHAVIOUR

- 13.1 The "Contractor" is warned that any act(s) leading to damage or loss of employees of the "Contractor" or the "Council" shall not be tolerated. The "Council" may (without any reason) demand that any employee of the "Contractor" be withdrawn from the principal "Contract" or site.

14. INCIDENT REPORTING

- 14.1 All incidents referred to in Section 24 of the Occupational Health and Safety Act and or other incidents shall be reported, by the "Contractor", to the Department of Labour, as well as to the "Council" and should such an incident take place outside normal working hours, on a Saturday, Sunday or Public holiday provided with a written report relating to any incident.
- 14.2 The "Council" will obtain an interest in the issue of any formal inquiry conducted in terms of the Occupational Health and Safety Act in any incident involving the "Contractor" and/or his employees and/or his subcontractors.
- 14.3 The "Contractor" undertakes to report to "Council" anything deemed to be unhealthy and/or unsafe and that he undertakes to verse his employees and/or subcontractors in this regard.

15. LIAISON AND SUPERVISION

15.1 The "Contractor" hereby undertakes to liaise on a regular basis with the designated Risk Control Officer and "Council" representative regarding any hazards or incidents that may be identified or encountered during the performance of the "Principal Contract".

16. SERVICE INTERRUPTION

16.1 Should any work done by the "Contractor" cause a possible interruption, written permission must be obtained from "Council", before such work commences. The "Contractor" may not switch on or off any compressed air, steam, oxygen, vacuum supply or electrical supply without written permission from the "Council".

17. CONFIDENTIALITY

17.1 The "Contractor" and his employees shall regard all data, documentation and information of the contract and related documentation as confidential.

17.2 Lost documentation/plans or related documentation shall immediately be reported in writing to the "Council".

17.3 The "Contractor" shall not put up any advertisements or billboard at the site without permission.

17.4 The "Contractor" shall not take photographs of the contract site or part thereof or any work process or part thereof, without written permission from the "Council", or have photographs taken, published or let it be published.

18. CONTRACT SITE AND PRESERVATION

18.1 Employees of the "Contractor" shall not be allowed entrance to the site unless a valid identity document, issued by "Council", is displayed. The mentioned documents shall only be valid for a limited period, where after it must be renewed.

19. COMPLETION OF WORK

19.1 The "Contractor" or his employees shall not leave the contract site before the "Council" is satisfied that the contract is completed according to the requirements and standards set out in the contract and that the working site is left in a satisfactory and safe condition.

20. LIQUOR, DRUGS, DANGEROUS WEAPONS AND FIREARMS

20.1 The "Contractor" shall ensure that no liquor, drugs, dangerous weapons or firearms be brought onto the premises.

21. SEARCHES

21.1 The "Contractor" and any person engaged in the contract work may at any time be searched by "Council" appointed security personnel and all packages, suitcases, etc. must be presented to the access control point for examination prior to them being brought onto the property or leaving the property.

22. GENERAL CONDITIONS

22.1 Notwithstanding anything to the contrary in this agreement, it is hereby specifically determined that the "Contractor-"

22.1.1 shall have acquainted himself and be conversant with the contents of all statutory provisions applicable to the health and safety of workers and other persons on the site including the execution of the work, and in particular the conditions contained in the Occupational Health and Safety Act, 1993 (Act 85/1993), and the regulations promulgated in terms thereof, and shall comply therewith meticulously and in all aspects and/or take care that it is complied with;

22.1.2 shall be obliged to immediately execute all instructions given to him by an authorized representative of "Council" in order to ensure and uphold the implementation and enforcement of the provisions referred to in sub-paragraph 1, to the satisfaction of the said representative;

22.1.3 shall indemnify the "Council" against any or all liability which may be incurred by the "Council" as a result of the omission of the "Contractor", his employees, sub-contractors and/or representatives to comply with the provisions referred to in sub-paragraph 1, or to ensure that it shall be complied with;

22.1.4 shall undertake to pay upon demand any and/or all legal costs and other expenses which "Council" may have incurred as a consequence of any criminal charges or other proceedings pending against, or involving the "Council" as a result of the contravention or non-compliance by the "Contractor", his employees, sub-contractors and/or representative of any of the statutory provisions referred to in sub-paragraph 1.

22.1.5 Should the "Contractor" neglect to immediately execute any health and safety written orders issued to him, or to his employee in charge of the works, in terms of the stipulations of sub-paragraph 2, the "Council" shall be entitled to suspend the execution of the works and take the necessary steps to execute or have such order executed. Under these circumstances the contractor shall be obliged to pay "Council", upon demand, all costs and expenses incurred by "Council", in order to execute or have the said orders executed.

22.1.6 Should the abovementioned steps not establish a healthy and safe work environment the "Council" will be entitled to terminate the contract without incurring any further costs or claims from the contractor?

23. "CONTRACTOR" IDENTIFICATION BOARD

23.1 The "Contractor" shall provide on any work premises a temporary identification board containing at all worksites the following information:

- Company name on behalf of which division/department the work is being done.
- The contact number and name of the person representing the "Contractor".
- The contact number and name of the person representing "Council"

24. ACKNOWLEDGEMENT

24.1 The "Contractor" hereby acknowledges that he has read and received a copy of the "Principal Contract" and agrees to be bound by and undertakes to observe all the terms and conditions of the "Principal Contract". This appointment is made in terms of Section 37(2) of the Occupational Health and Safety Act, 85 of 1993.

25. EXCEPTIONS AND OMISSIONS

26. REMARKS

THE CONTRACTOR

SIGNED AT ON THIS DAY OF

WITNESSES:

..... 1.
THE CONTRACTOR

2.

THE COUNCIL

SIGNED AT ON THIS DAY OF

WITNESSES: 1.

THE COUNCIL

2.

b) INDEMNITY CERTIFICATE

Contractor:

Employer: Vhembe District Municipality

Contract:

I/we
Hereafter the "Contractor"

"Contractor" hereby indemnifies the Vhembe District Municipality (Council) against any claim of whatever sort which may arise directly or indirectly from the execution by me/us of the above-mentioned contract and which may be instituted against "Council", as well as of any loss or damage which the "Council" suffers or expenditure the "Council" incurs to prevent responsibility for such claim, loss or damage, whatever the cause of such claim may be or whatever loss or damage the "Council" suffers.

THUS done and signed at on this day of
..... 20.....

WITNESSES:

1. **CONTRACTOR**

2. **COUNCIL**

c) ACKNOWLEDGEMENT CERTIFICATE

I, in my capacity as.....

Duly authorized hereto representing

..... Contractors, acknowledge receipt of a copy of the Vhembe District Municipality’s safety manual for contractors and the under mentioned person as my supervisor regarding all works and services which must be executed by the Contractor. The appointment is done in terms of the Occupational Health and Safety Act, 1993 (Act 85/1993).

SIGNED AT ON 200...

I,..... accept the abovementioned appointment, and declare that I am familiar with the contents of the Vhembe District Municipality’s Safety Manual for contractors
CASUALTIES REGISTRATION NUMBER

SIGNED AT ON 200....

SIGNATURE:

WITNESSES: 1

2

A copy of this certificate shall be submitted to the “Council” before any work commences.

C1.5: Agreement with Adjudicator

This agreement is made on the.....day of 20.....between: the Employer
(name of company / organisation).....
of (address).....
.....and the Contractor
(name of company / organisation)
of (address).....
..... (hereinafter
called **the Parties**)

and
(name).....
of (address)
.....
(hereinafter called **the Adjudicator**)

Disputes or differences may arise/have arisen* between the Parties under a Contract dated.....
and known as Contract No.....
(Contract title).....

and these disputes or differences shall be/have been* referred to adjudication in accordance with the
CIDB Adjudication Procedure, (hereinafter called "**the Procedure**") and the Adjudicator may be or has
been requested to act.
(* Delete as necessary)

IT IS NOW AGREED as follows:

1. The rights and obligations of the Adjudicator and the Parties shall be as set out in the Procedure.
2. The Adjudicator hereby accepts the appointment and agrees to conduct the adjudication in accordance with the Procedure.
3. The Parties bind themselves jointly and severally to pay the Adjudicator's fees and expenses in accordance with the Procedure as set out in the Contract Data.
4. The Parties and the Adjudicator shall at all times maintain the confidentiality of the adjudication and shall endeavour to ensure that anyone acting on their behalf or through them will do likewise, save with the consent of the other Parties which consent shall not be unreasonably refused.
5. The Adjudicator shall inform the Parties if he intends to destroy the documents which have been sent to him in relation to the adjudication and he shall retain documents for a further period at the request of either Party.

SIGNED by: (Signature):	(Signature):	(Signature):
Name: who warrants that he/ she is duly authorised to sign for and on behalf of the First Party in the presence of	Name: who warrants that he/ she is duly authorised to sign for and on behalf of the Second Party in the presence of	Name: the Adjudicator in the presence of

Witness: (Signature).....	Witness: (Signature).....	Witness: (Signature).....
Name:	Name:	Name:
Address:	Address:	Address:
.....
Date:	Date:	Date:

PART C2: PRICING DATA

C2.1: PRICING INSTRUCTIONS

C2.2: BILL OF QUANTITIES

VHEMBE DISTRICT MUNICIPALITY



WATER SUPPLY AND BULK WATER RETICULATION OF NGWENANI THEMELI, NGULUMBI, NGOVHELA BACKSIDE, MADAMALALA, PHINDULA, MAEMBENI AND MULEDZHI PHASE 2D (NGWENANI THEMELI)

C2.1 Pricing Instructions

1. GENERAL

The pricing instructions describe the criteria and assumptions which will be assumed in the Contract that the Bidder has taken into account when developing his prices. The Bills of Quantities record the Contractor's rates for providing supplies, services, engineering and construction works in accordance with the Scope of Work.

The terms of payment and the provisions for price adjustment, if applicable, are established in the Contract Data. These items are not described in the Pricing Data.

The Bidder's obligations in pricing the Bidder offer and the Employer's undertakings in the checking and correction of arithmetical errors are dealt with in the Standard Conditions of Bidder contained in Annexure F of SANS 294, as amended in and read in conjunction with the Bidder Data.

2. DOCUMENTS MUTUALLY EXPLANATORY

The documents forming the Contract are to be taken as mutually explanatory of one another. The Bill of Quantities forms an integral part of the Contract Documents and shall be read in conjunction with the Bidder Data, Contract Data, Scope of Work, Site Information General and Special Conditions of Contract, the Specifications and the Drawings.

3. DEFINITIONS

For the purpose of this Bill of Quantities, the following words shall have the meanings hereby assigned to them:

Unit : The unit of measurement for each item of work as defined in the Scope of Work and Site Information.

Quantity : The number of units of work for each item.

Rate	:	The payment per unit of measurement at which the Contractor Contracts to do the work.
Amount	:	The product of the quantity and the rate Bidded for an item.
Sum	:	An amount contracted for an item, the extent of which is described in the Bill of Quantities, the specifications or elsewhere but the quantity of work of which is not measured in any units.

4. **DESCRIPTIONS**

Descriptions in the Bill of Quantities are abbreviated and comply generally with those in the Standardised Specifications. Clause 8 of each Standardised Specification, read together with the relevant clauses of the Scope of Work, set out what ancillary or associated activities are included in the rates for the operations specified. Should any requirements of the measurement and payment clause of the applicable Standardised Specification, or the Scope of Work, conflict with the terms of the Bill, the requirements of the Standardised Specification or Scope of Work, as applicable, shall prevail.

5. **REFERENCES**

The clauses in a specification in which further information regarding the schedule item can be obtained appear under "Reference clause" in the Bill. The reference clauses indicated are not necessarily the only sources of information in respect of scheduled items. Further information and specifications may be found elsewhere in the contract documents. Standardised Specifications are identified by the letter or letters which follow SABS in the SABS 1200 series of specifications, eg. G for SABS 1200 G.

6. **UNITS OF MEASUREMENT**

The units of measurement indicated in the Bill of Quantities are metric units.

The following abbreviations are used in the Bill of Quantities:

%	=	per cent
h	=	hour
ha	=	hectare
kg	=	kilogram
kl	=	kilolitre
km	=	kilometre
km-pass	=	kilometre-pass
kW	=	kilowatt
l	=	litre
m	=	metre
mm	=	millimetre
MN	=	meganewton
MN-m	=	meganewton-metre
MPa	=	megapascal
m ²	=	square metre
m ³	=	cubic metre
m ³ -km	=	cubic metre-kilometre
m ² -pass	=	square metre-pass
no	=	number
PC sum	=	Prime Cost sum
Prov Sum	=	Provisional Sum
sum	=	lump sum
t	=	ton (1 000 kg)

7. NET MEASUREMENTS

Unless otherwise stated, items are measured net in accordance with the drawings, and no allowance is made for off-cuts and waste.

8. QUANTITIES

The quantities set out in these Bills of Quantities are approximate and do not necessarily represent the actual amount of work to be done. The quantities of work accepted and certified for payment will be used for determining payments due and not the quantities given in the Bills of Quantities.

The Contract Amount to be determined in accordance with the conditions of contract identified in the Contract Data shall be computed from the actual quantities of authorized work done, value at rates determined in terms of the Contract Data, against the respective items in the Bill of Quantities.

9. CURRENCY

All rates and sums of money quoted in the Bill of Quantities shall be in Rand and whole cents. Fractions of a cent shall be discounted.

10. VALUE ADDED TAX

Value Added Tax shall be excluded from the rates and sums contracted for the various items of work included in the Bill of Quantities. VAT will be added as a single entry to the summary.

11. RATES AND PRICES**11.1 General**

- a) The Contractor must price each item in the Bill of Quantities in BLACK INK. Reproduced computer printouts of the Bills of Quantities will not be acceptable.
- b) The rates and prices to be inserted in the Bill of Quantities shall cover all the services and incidentals for the work described under the several items. Such prices and rates shall cover all costs and expenses that may be required in and for the execution of the work described, and shall cover the cost of all general risks, liabilities and obligations set forth or implied in the documents on which the Bidder is based, as well as overhead charges and profit. Reasonable prices shall be inserted as these will be used as a basis for assessment of payment for additional work that may have to be carried out.
- c) Where the Contractor is required to furnish detailed drawings and designs or other information in terms of the Contract Data, all costs thereof shall be deemed to have been provided for and included in the unit rates and sum amounts contracted for the items scheduled in the Bill of Quantities. Separate additional payments will not be made.
- d) A price or rate is to be entered against each item in the Bill of Quantities, whether the quantities are stated or not. An item against which no price is entered will be considered to be covered by the other prices or rates in the Bill. The Contractor will not be paid for items against which no rate or lump sum has been entered in the Bill of Quantities.

- e) Should the Contractor group a number of items and contract one lump sum for such group of items, this single lump sum shall apply to that group of items and not to each individual item.
- f) Should the Contractor indicate against any item that compensation for such item is included in another item, the rate for the item included in another item shall be deemed nil.
- g) A submission may be regarded as non-responsive if any rates or lump sums in the Bill of Quantities are, in the opinion of the Employer, unreasonable or out of proportion.

11.2 “Rate only” items

The Contractor shall fill in a rate (in the rate column) against all items where the words "rate only" appear in the Amount column, which rate will constitute payment for work which may be done in terms of this item. Such "rate-only" items are used where it is estimated that little or no work will be required under the item or where the item is to be considered as an alternative to another item for which a quantity is given.

11.3 Arithmetic

Excepting where Sum Amounts are required or where Provisional Sums have been indicated, the Contractor shall enter an applicable rate in the Rate Column of the Bill of Quantities for each scheduled item. He shall also enter an appropriate sum in the Amount column for each scheduled item, by determining in the applicable line item the product of the Quantity and the Unit Rate.

If there is an error in the line item resulting from the product of the unit rate and the quantity, the rate shall be binding and the error of extension as entered in the Bidder offer will be corrected by the Employer in determining the Contract Price.

Where there is an error in addition, either as a result of other corrections required by this checking process or in the Bidder's addition of prices, such error will be corrected by the Employer in determining the Contract Price.

11.4 Labour Intensive work

Those parts of the contract to be constructed using labour-intensive methods have been marked in the bill of quantities with the letters LI in a separate column or as a prefix or suffix against every item so designated. The works, or parts of the works so designated are to be constructed using labour-intensive methods only. The use of plant to provide such works, other than plant specifically provided for in the scope of works, is a deviation from the contract. The items marked with the letters 'LI' are not necessarily an exhaustive list of all the activities which must be done by hand, and this clause does not over-ride any of the requirements in the generic labour intensive specification in the Scope of Works.

Where minimum labour intensity is specified by the design the contractor is expected to use their initiative to identify additional activities that can be done labour-intensively in order to comply with the set minimum labour intensity target.

Payment for items which are designated to be constructed labour-intensively (either in this schedule or in the Scope of Works) will not be made unless they are constructed using labour-intensive methods. Any unauthorized use of plant to carry out work which was to be done labour-intensively will not be condoned and any works so constructed will not be certified for payment.

12. VARIATION IN TEXT

No alteration, erasure or addition is to be made in the text of the Bill of Quantities. Should any alteration, erasure or addition be made, it will not be recognized; the original wording of the Bill of Quantities will be adhered to.

VHEMBE DISTRICT MUNICIPALITY

**WATER SUPPLY AND BULK WATER RETICULATION OF NGWENANI THEMELI,
NGULUMBI, NGOVHELA BACKSIDE, MADAMALALA, PHINDULA, MAEMBENI
AND MULEDZHI
PHASE 2D (NGWENANI THEMELI)**

C2.2 BILL OF QUANTITIES

VHEMBE DISTRICT MUNICIPALITY MUNICIPALITY

WATER SUPPLY AND BULK WATER RETICULATION MGWENANI THEMELI, NGULUMBI, NGOVHELA, MADAMALALA, PHINDULA, MAEMBENI AND MULEDZHI VILLAGE.: NGWENANI YA THEMELI
 CONTRACT NO.: VDM/TECH/04/05/2026/01

SCHEDULE 1

SABS 1200 A - PRELIMINARY AND GENERAL

ITEM No.	PAYMENT REFERS	DESCRIPTION	UNIT	QUANTITY	RATE	AMOUNT R c
1	SABS 1200A	PRELIMINARY AND GENERAL				
1.1	8.3	Fixed - Charge Items				
1.1.1	8.3.1	Contractual Requirements	Sum	1.00		
	8.3.2	<u>Establishment of Facilities on Site</u>				
	PSAB 3.2					
	8.3.2.1	a) <u>Facilities for Engineer</u>				
1.1.2		(i) Engineer's Office - 12m ²	Sum	1.00		
1.1.3		(ii) Conference Room - 32m ²	Sum	1.00		
1.1.4	PSAB 3.3	Car Ports	No.	6.00		
1.1.5	PSAB 3.1	Contract Nameboards	No.	2.00		
1.1.6	PSAB 3.4	Supply Survey Equipments	Sum	1.00		
1.1.6	PSAB 3.4	Telecommunication(Cellphone and Calls)	Prov Sum	1.00	20,000.00	20,000.00
1.1.7	PSAB 3.4	Laptop	Prov Sum	1.00	25,000.00	25,000.00
	8.3.2.2	<u>Facilities for Contractor</u>				
1.1.7		Offices And Storage Sheds	No	1.00		
1.1.8		Workshops	Sum	1.00		
1.1.9		Ablution and Latrine facilities	No	2.00		
1.1.10		Tools and equipment	Sum	1.00		
1.1.11		Water Supplies	Sum	1.00		
1.1.12		Electrical Power	Sum	1.00		
1.1.13		Telecommunications	Sum	1.00		
1.1.14		Access	Sum	1.00		
1.1.15		Testing Equipment	Sum	1.00		
	8.3.2.2	<u>Features Requiring Special Attention</u>				
		Contractor's initial obligations in respect of the occupational Health and Safety Act and Construction Regulations				
1.1.16		Submission of the Health and Safety File	Provisional Sum		1.00	25,000.00
1.1.17		Protection of pedestrians at excavation	Provisional Sum		1.00	20,000.00
1,1,18		Accomodation on Site	Provisional Sum		1.00	105,000.00
		CARRIED FORWARD				

BUSHBUCKRIDGE MUNICIPALITY

WATER SUPPLY AND BULK WATER RETICULATION MGWENANI THEMELI, NGULUMBI, NGOVHELA, MADAMALALA, PHINDULA, MAEMBENI AND MULEDZHI
 CONTRACT NO.: VDM/TECH/04/05/2026/01

SCHEDULE 1

SABS 1200 A - PRELIMINARY AND GENERAL

ITEM No.	PAYMENT REFERS	DESCRIPTION	UNIT	QUANTITY	RATE	AMOUNT R c
BROUGHT FORWARD						
1.1.21	8.3.4	Removal of site establishment and trimming of site	Sum	1.00		
1.20	8.40	Time Related Items				
1.2.1	8.4.1	Contractual Requirements	Months	14.00		
	8.4.2.1	<u>Establishment of Facilities on Site</u> <u>Facilities for Engineer</u>				
1.2.2		Furnished Offices - (1 No.)	Sum	1.00		
1.2.3	PSAB 3.3	Car Ports	Sum	1.00		
1.2.4	PSAB 3.4	Survey Assistant and Maintenance Survey Equipment	Sum	1.00		
	8.4.2.2	<u>Facilities for Contractor</u>				
1.2.5		Offices And Storage Sheds	Sum	1.00		
1.2.6		Workshops	Sum	1.00		
1.2.7		Ablution and Latrine facilities	Sum	1.00		
1.2.8		Tools and equipment	Sum	1.00		
1.2.9		Water Supplies	Sum	1.00		
1.2.10		Electrical Power	Sum	1.00		
1.2.11		Telecommunications	Sum	1.00		
1.2.12		Access	Sum	1.00		
1.2.13		Testing Equipment	Sum	1.00		
	8.3.2.2	<u>Features Requiring Special Attention</u>				
1.2.14	8.4.2	Contractor's time-related obligation in respect of the Occupational Health and Safety Act and Construction Regulations	Sum	1.00		
1.2.15	8.4.3	Supervision for duration of construction	Sum	1.00		
1.2.16	8.4.4	Company and Head Office overhead cost for the duration of Construction	Sum	1.00		
		Contractor's charge to allow for handling costs and profit in respect of subitem 8.4.2, 8.4.3 and 1.4.3	%	0.00		
CARRIED FORWARD						

BUSHBUCKRIDGE MUNICIPALITY
 WATER SUPPLY AND BULK WATER RETICULATION MGWENANI THEMELI, NGULUMBI, NGOVHELA, MADAMALALA, PHINDULA, MAEMBENI AND MULEDZHI
 CONTRACT NO.: VDM/TECH/04/05/2026/01

SCHEDULE 1
SABS 1200 A - PRELIMINARY AND GENERAL

ITEM No.	PAYMENT REFERS	DESCRIPTION	UNIT	QUANTITY	RATE	AMOUNT R c
BROUGHT FORWARD						
	8.80	Temporary Works				
1.30	8.8.2	Accommodation of Traffic				
1.3.1		Provide and maintain access roads and adjacent streets including reinstatement of roads on completion the Works	Sum	1.00		
	8.8.4	Existing Services				
1.4.1		Excavate by hand in soft material to expose existing services	m ³	250.00		
1.4.2		Temporary protection of existing services	–	Provisional	Sum	60,000.00
1.4.3		Relocation of existing services	–	Provisional	Sum	800,000.00
1.4.4		Contractor's charge to allow for handling costs and profit in respect of subitem 1.4.2 and 1.4.3	%	860,000.00		
1.4.6		Community Liaison Officer and Safety Officer and Student remuneration	–	Provisional	Sum	231,000.00
1.4.8		Contractor's charge to allow for handling costs and profit in respect to subitems 1.4.5, 1.4.6 and 1.4.7	%	231,000.00		
1.4.10		Training of unskilled and semi-skilled workers by accredited institutions	–	Provisional	Sum	350,000.00
1.4.11		Provision with regards to OHS including monitoring	–	Provisional	Sum	490,000.00
1.4.12		Provision with regards to Environmental including monitoring existing services	–	Provisional	Sum	360,000.00
1.4.13		Provision with regards to Environmental including monitoring existing services	–	Provisional	Sum	490,000.00
1.4.14		Provision of a detector to detect the position of existing services	–	Provisional	Sum	45,000.00
1.4.15		Contractor's charge to allow for handling costs and profit in respect to subitems 1.4.11, 1.4.12, 1.4.13 and 1.4.14 existing services	%	1,375,000.00		
CARRIED FORWARD						

BUSHBUCKRIDGE MUNICIPALITY
WATER SUPPLY AND BULK WATER RETICULATION MGWENANI THEMELI, NGULUMBI, NGOVHELA, MADAMALALA, PHINDULA, MAEMBENI AND MULEDZHI
CONTRACT NO.: VDM/TECH/04/05/2026/01

SCHEDULE 1
SABS 1200 A - PRELIMINARY AND GENERAL

ITEM No.	PAYMENT REFERS	DESCRIPTION	UNIT	QUANTITY	RATE	AMOUNT R c
BROUGHT FORWARD						
1.50	8.70	Dayworks (Provisional)				
		Dayworks - Labour				
1.5.1		a) Contractor's Representative	hr	5.00		Rate Only
1.5.2		b) Qualified Artisan	hr	5.00		Rate Only
1.5.3		c) Foreman, Team-leader (.....hr/workday)	hr	5.00		Rate Only
1.5.4		d) Semi-skilled labourer (.....hr/workday)	hr	10.00		Rate Only
1.5.5		e) Labourer (.....hr/workday)	hr	10.00		Rate Only
		Dayworks - Plant				
		Water Tanker (Specify capacity)				
1.5.6		a)m ³ (small)	hr	5.00		Rate Only
1.5.7		b)m ³ (large) Tipper Truck (Specify capacity)	hr	5.00		Rate Only
1.5.8		c)m ³ (small)	hr	5.00		Rate Only
1.5.9		d)m ³ (large) Flat bed truck (Specify capacity)	hr	5.00		Rate Only
1.5.10		e) Ton (small)	hr	5.00		Rate Only
1.5.11		f) LDV	hr	5.00		Rate Only
1.5.12		g) T.L.B (Tractor Loader Backhoe)	hr	5.00		Rate Only
1.5.13		H) Excavator		5.00		Rate Only
1.5.14		h) Compactor: (Specify size)	hr	5.00		Rate Only
1.5.15		i) Concrete mixer (Specify dry/wet capacity)m ³ /	hr	5.00		Rate Only
		TOTAL TO SUMMARY				

VHEMBE DISTRICT MUNICIPALITY MUNICIPALITY
WATER SUPPLY AND BULK WATER RETICULATION MGWENANI THEMELI,NGULUMBI,NGOVHELA.MADAMALALA,PHINDULA,MAEMBENI AND MULEDZHI
VILLAGE.: NGWENANI YA THEMELI
CONTRACT NO.:VDM/TECH/04/05/2026/01

SCHEDULE 2
SABS 1200 C - SITE CLEARANCE

ITEM No.	PAYMENT REFERS	DESCRIPTION	UNIT	QUANTITY	RATE	AMOUNT R c
2	SABS 1200 C	SITE CLEARANCE				
2.10	8.2.1	Clear and grub pipeline route 3 metre wide	m	56,907.39		
2.20	8.2.2	Remove and grub large trees and tree stumps of girth				
		(a) over 1m and up to and including 2m	No.	4.00		
		(b) over 2m and up to and including 3m	No.	6.00		
2.30	8.2.5	Take down and reinstate existing fences	m	1,500.00		
2.40	8.2.9	Transport materials and debris to unspecified site and dump	m ³ km	2,500.00		
2.50	8.2.10	Removal of topsoil to No.minal depth of 150mm, stockpile and maintain	m ³	5,690.74		
TOTAL TO SUMMARY						

VHEMBE DISTRICT MUNICIPALITY MUNICIPALITY

WATER SUPPLY AND BULK WATER RETICULATION MGWENANI THEMELI, NGULUMBI, NGOVHELA, MADAMALALA, PHINDULA, MAEMBENI AND MULEDZHI VILLAGE.: NGWENANI YA THEMELI

CONTRACT NO.: VDM/TECH/04/05/2026/01

SCHEDULE 3

SABS 1200 DA - EARTHWORKS (Small Works)

ITEM No.	PAYMENT REFERS	DESCRIPTION	UNIT	QUANTITY	RATE	AMOUNT R c
3	SABS 1200DA	Earthworks (Small Works)				
3.10	8.3.2	Restricted Excavation				
3.1.1	LIC	Excavate for trenches, footings and existing services in all materials, backfill and compact, including disposal of surplus/unsuitable material within a freehaul distance :15,0Km	m ³	4,200.00		
3.1.2	8.3.2(b)	Extra over Item 3.1.1 for:				
		(i) Intermediate excavation	m ³	840.00		
		(ii) Hard Rock excavation	m ³	1,050.00		
		TOTAL TO SUMMARY				

VHEMBE DISTRICT MUNICIPALITY MUNICIPALITY
WATER SUPPLY AND BULK WATER RETICULATION MGWENANI THEMELI, NGULUMBI, NGOVHELA, MADAMALALA, PHINDULA, MAEMBENI AND MULEDZHI
VILLAGE.: NGWENANI YA THEMELI
CONTRACT NO.: VDM/TECH/04/05/2026/01

SCHEDULE 4
SABS 1200 DB - EARTHWORKS (Pipe Trenches)

ITEM No.	PAYMENT REFERS	DESCRIPTION	UNIT	QUANTITY	RATE	AMOUNT R c
4.0	SABS 1200 DB	EARTHWORKS (PIPE TRENCHES)				
		<u>TRENCHES FOR WATER PIPES</u>				
4.1	PSDB 8.3.2	Excavate in all materials for trenches, backfill, compact and dispose of surplus material:				
		Pipes over 75 mm dia up to 200 mm dia for depths: Over and Up To :				
		(ii) 0,0m 2,0m	m	45,525.9		
		(ii) 2,0m 3,0m	m	8,536.1		
		(ii) 3,0m 4,0m	m	2,845.4		
4.2	PSDB 8.3.2	Extra over item 4.1 above for:				
4.2.1		Intermediate excavation	m ³	10,698.6		
4.2.2		Hard rock excavation	m ³	5,690.7		
4.2.3		Hand excavation where ordered by the Engineer:				
		(i) Soft material	m ³	500.0		
		(ii) Intermediate material	m ³	500.0		
		(iii) Hard material	m ³	200.0		
4.3		Backfill stabilized with 5% cement where directed by the Engineer	m ³	180.0		
4.4		Soilcrete backfill where directed by the Engineer	m ³	250.0		
4.5	8.3.2	Excavate and dispose of unsuitable material from trench bottom	m ³	1,200.0		
4.6	PSDB 8.3.3	Excavation ancillaries:				
4.6.1		Make up deficiency in backfill material:				
		(i) From other necessary excavations on Site	m ³	350.0		
		(ii) By importation from commercial or off-site sources selected by the Contractor	m ³	350.0		
4.7		Compaction in road crossings:				
		(i) 93% of modified AASHTO density	m ³	150.0		
4.8	8.3.4	Particular Items :				
4.8.1		Temporary Works				
		(i) For new tie-in connections to the existing pipeline	No	10.0		
		(ii) For new tie-in connections to the supply bulk pipeline	No	2.0		
TOTAL TO SUMMARY						

VHEMBE DISTRICT MUNICIPALITY MUNICIPALITY
 WATER SUPPLY AND BULK WATER RETICULATION MGWENANI THEMELI, NGULUMBI, NGOVHELA, MADAMALALA, PHINDULA, MAEMBENI AND MULEDZHI
 VILLAGE.: NGWENANI YA THEMELI
 CONTRACT NO.: VDM/TECH/04/05/2026/01

SCHEDULE 5
SABS 1200 GA - CONCRETE (Small Works)

ITEM No.	PAYMENT REFERS	DESCRIPTION	UNIT	QUANTITY	RATE	AMOUNT R c
5.00	SABS 1200GA	CONCRETE : SMALL WORKS				
5.10	8.1.4.1	Pipeline Pipe Encasement				
5.1.1		25MPa concrete bedding and encasing to all diameter of pipes, including shuttering and blinding. Excavation, straps and reinforcing measured elsewhere.	m ³	40.00		
5.1.2	8.4.3	Mass Concrete 15MPa concrete to thrust blocks and the like, including shuttering. Excavation measured elsewhere.	m ³	80.00		
TOTAL TO SUMMARY						

VHEMBE DISTRICT MUNICIPALITY MUNICIPALITY
WATER SUPPLY AND BULK WATER RETICULATION MGWENANI THEMELI, NGULUMBI, NGOVHELA, MADAMALALA, PHINDULA, MAEMBENI AND MULEDZHI
VILLAGE.: NGWENANI YA THEMELI
CONTRACT NO.: VDM/TECH/04/05/2026/01

SCHEDULE 6
SABS 1200 L - MEDIUM PRESSURE PIPELINES

ITEM No.	PAYMENT REFERS	DESCRIPTION	UNIT	QUANTITY	RATE	AMOUNT R c
6.10	SABS 1200L	MEDIUM PRESSURE PIPELINES				
6.1.1		Supply, lay, bed and test the following uPVC pressure pipes (conforming with SABS 966-11976 specifications) in 6m lengths each pipe fitted at one end with socket for machanical jointing, in the following diameters:				
		(i) uPVC Class 12				
	LIC	a) 200mm dia Class 12	m	3,000.00		
	LIC	a) 160mm dia Class 12	m	2,780.00		
	LIC	b) 110mm dia Class 12	m	2,400.00		
	LIC	c) 90mm dia Class 12	m	7,800.00		
	LIC	d) 75mm dia Class 12	m	12,100.00		
	LIC	e) 63mm dia Class 12	m	24,500.00		
		(ii) uPVC Class 9				
	LIC	a) 200mm dia Class 9	m			rate only
	LIC	b) 160mm dia Class 9	m			rate only
	LIC	c) 110mm dia Class 9	m			rate only
	LIC	d) 75mm dia Class 9	m			rate only
		(iii) uPVC Class 6				
	LIC	a) 160mm dia Class 6	m			rate only
	LIC	b) 110mm dia Class 6	m			rate only
	LIC	c) 90mm dia Class 6	m			rate only
	LIC	d) 75mm dia Class 6	m			rate only
	LIC	d) 63mm dia Class 6	m			rate only
		CARRIED FORWARD				

VHEMBE DISTRICT MUNICIPALITY MUNICIPALITY
WATER SUPPLY AND BULK WATER RETICULATION MGWENANI THEMELI,NGULUMBI,NGOVHELA.MADAMALALA,PHINDULA,MAEMBENI AND MULEDZHI
VILLAGE.: NGWENANI YA THEMELI
CONTRACT NO.:VDM/TECH/04/05/2026/01

SCHEDULE 6
SABS 1200 L - MEDIUM PRESSURE PIPELINES

ITEM No.	PAYMENT REFERS	DESCRIPTION	UNIT	QUANTITY	RATE	AMOUNT R c
BROUGHT FORWARD						
6.2.2	SABS 1200 L	<u>FITTINGS AND SPECIALS FOR FIXING ONTO uPVC PIPES</u>				
	8.2.2	Fittings to be suitable for coupling directly (mechanically) onto uPVC pipes. Fittings to be Class 12 (unless otherwise specified). Fittings for uPVC pipes to be uPVC, cast iron or coated steel.				
		<u>Fittings</u>				
		a) Cast Iron End Caps : for uPVC				
	LIC	200 mm Dia	No.	5.00		
	LIC	160 mm Dia	No.	8.00		
	LIC	110 mm Dia	No.	25.00		
	LIC	90 mm Dia	No.	35.00		
	LIC	75 mm Dia	No.	45.00		
	LIC	63 mm Dia	No.	68.00		
		b) C.I. Reducing Tee:Socket-ended to fit uPVC				
	LIC	200 x 160 mm Dia	No.	3.00		
	LIC	160 x 110 mm Dia	No.	10.00		
	LIC	160 x 90 mm Dia	No.	10.00		
	LIC	110 x 90 mm Dia	No.	3.00		
	LIC	110 x 75 mm Dia	No.	12.00		
	LIC	75 x 63 mm Dia	No.	12.00		
		c) Cast Iron Reducers : to fit uPVC				
	LIC	160 x 110 mm Dia	No.	10.00		
	LIC	110 x 90 mm Dia	No.	6.00		
	LIC	160 x 90 mm Dia	No.	8.00		
	LIC	110 x 75 mm Dia	No.	7.00		
	LIC	110 x 63 mm Dia	No.	12.00		
		d) C.I. Equal Tees:Socket-ended to fit uPVC				
	LIC	200 mm Dia	No.	2.00		
	LIC	160 mm Dia	No.	2.00		
	LIC	110 mm Dia	No.	3.00		
	LIC	90 mm Dia	No.	4.00		
	LIC	75 mm Dia	No.	135.00		
	LIC	63 mm Dia	No.	135.00		
		e) Bends 90 deg:uPVC Class 16 to fit uPVC pipes				
	LIC	200 ND	No.	8.00		
	LIC	160 ND	No.	15.00		
	LIC	110 ND	No.	50.00		
	LIC	75 ND	No.	380.00		
	LIC	63 ND	No.	380.00		
		CARRIED FORWARD				

VHEMBE DISTRICT MUNICIPALITY MUNICIPALITY
WATER SUPPLY AND BULK WATER RETICULATION MGWENANI THEMELI, NGULUMBI, NGOVHELA, MADAMALALA, PHINDULA, MAEMBENI AND MULEDZHI
VILLAGE.: NGWENANI YA THEMELI
CONTRACT NO.: VDM/TECH/04/05/2026/01

SCHEDULE 6
SABS 1200 L - MEDIUM PRESSURE PIPELINES

ITEM No.	PAYMENT REFERS	DESCRIPTION	UNIT	QUANTITY	RATE	AMOUNT R c
BROUGHT FORWARD						
	LIC SABS 1200 L	f) Bends 45 deg: uPVC Class 12 to fit uPVC pipes 200 ND 160 ND 110 ND 75 ND 63 ND	No. No. No. No. No.	4.00 6.00 15.00 80.00 90.00		
	LIC	g) Bends 22.5 deg: uPVC Class 12 to fit uPVC pipes 200 ND 160 ND 110 ND 75 ND 63 ND	No. No. No. No. No.	5.00 8.00 15.00 80.00 90.00		
	LIC	g) Bends 11.5 deg: uPVC Class 12 to fit uPVC pipes 200 ND 160 ND 110 ND 75 ND 63 ND	No. No. No. No. No.	2.00 5.00 10.00 60.00 83.00		
	LIC	h) 150 NS G.M.S, t = 4,5 equal tee, flanged to table 1600/3	No.	3.00		
	LIC	i) 150ND G.M.S, T=4,5mm, 90 degrees medium bend, flanged to table 1600/3	No.	5.00		
	LIC	j) 150mm dia Klamflex flange adaptor from steel to uPVC pipe, Class 16	No.	5.00		
6.30	8.2.2	<u>VALVES</u>				
6.3.1	LIC	Gate Valves (uPVC Pipes) Supply and install Socket-ended Resilient Gate valves Class PN-16 clockwise closing, Non-rising spindle with top. a) 200 ND b) 160 ND c) 110 ND d) 75ND e) 63ND	No. No. No. No. No.	3.00 5.00 8.00 75.00 80.00		
6.3.2	LIC	Non Return Valves a) 200 ND b) 160 ND c) 110 ND d) 75ND e) 75ND	No. No. No. No. No.	1.00 3.00 3.00 14.00 14.00		
		CARRIED FORWARD				

VHEMBE DISTRICT MUNICIPALITY MUNICIPALITY
 WATER SUPPLY AND BULK WATER RETICULATION MGWENANI THEMELI, NGULUMBI, NGOVHELA, MADAMALALA, PHINDULA, MAEMBENI AND MULEDZHI
 VILLAGE.: NGWENANI YA THEMELI
 CONTRACT NO.: VDM/TECH/04/05/2026/01

SCHEDULE 6
SABS 1200 L - MEDIUM PRESSURE PIPELINES

ITEM No.	PAYMENT REFERS	DESCRIPTION	UNIT	QUANTITY	RATE	AMOUNT R c
BROUGHT FORWARD						
6.40	LIC	MISCELLANEOUS				
6.4.1		Concrete thrust block for water pipes including all formwork, excavation, etc.	m ³	100.00		
6.4.2		<u>Pipeline marker</u> Supply and install pipeline markers as indicated on Drg. No.	No.	110.00		
6.50		VALVES CHAMBERS Construct Valve Chambers using Engineering Bricks complete with concrete floor slab, 220mm thick brickwall, concrete roof slab, ventilation pipes, step irons, manhole cover and frame complete with locking device as per Drg No.				
6.5.1	LIC	Gate and Non-Return Valve Chambers	No.	206.00		
TOTAL TO SUMMARY						

VHEMBE DISTRICT MUNICIPALITY MUNICIPALITY
 WATER SUPPLY AND BULK WATER RETICULATION MGWENANI THEMELI, NGULUMBI, NGOVHELA, MADAMALALA, PHINDULA, MAEMBENI AND MULEDZHI
 VILLAGE.: NGWENANI YA THEMELI
 CONTRACT NO.: VDM/TECH/04/05/2026/01

SCHEDULE 7

SABS 1200 LB - BEDDING (Pipes)

ITEM No.	PAYMENT REFERS	DESCRIPTION	UNIT	QUANTITY	RATE	AMOUNT R c
7.10	SABS 1200LB	PIPE BEDDING				
7.1.1		Selected granualr material for bedding cradle for flexible pipes from:				
	8.2.2.2 LIC	a) Trench excavation	m3	6,840.00		
	LIC	b) Borrow pits (Provisional)	m3	2,394.00		
		<u>Provisional of selected fill material for flexible pipe blanket</u>				
	8.2.2.2 LIC	a) Trench excavation	m3	16,150.00		
7.1.2		Overhaul for imported material for bedding cranddle and selected fill blanket (Provisional)	m3.km	38,760.00		
		TOTAL TO SUMMARY				

VHEMBE DISTRICT MUNICIPALITY MUNICIPALITY
 WATER SUPPLY AND BULK WATER RETICULATION MGWENANI THEMELI, NGULUMBI, NGOVHELA, MADAMALALA, PHINDULA, MAEMBENI AND MULEDZHI
 VILLAGE.: NGWENANI YA THEMELI
 CONTRACT NO.: VDM/TECH/04/05/2026/01

SCHEDULE 8
SABS 1200 LF - PSLF

ITEM No.	PAYMENT REFERS	DESCRIPTION	UNIT	QUANTITY	RATE	AMOUNT R c
8.00	1200 LF PSLF	YARD CONNECTION				
8.10	8.2.1	Complete Installations including Meter detailed as shown on Drs No.				
		a) Single Short	No	279.0		
		b) Single Long	No	300.0		
		c) Double Short	No	308.0		
		d) Double Long	No	313.0		
		TOTAL TO SUMMARY				

VHEMBE DISTRICT MUNICIPALITY MUNICIPALITY

WATER SUPPLY AND BULK WATER RETICULATION MGWENANI THEMELI,NGULUMBI,NGOVHELA.MADAMALALA,PHINDULA,MAEMBENI AND MULEDZHI
VILLAGE.: NGWENANI YA THEMELI
CONTRACT NO.:VDM/TECH/04/05/2026/01

VHEMBE DISTRICT MUNICIPALITY MUNICIPALITY
WATER SUPPLY AND BULK WATER RETICULATION MGWENANI
THEMELI,NGULUMBI,NGOVHELA.MADAMALALA,PHINDULA,MAEMBENI AND MULEDZHI
VILLAGE: NGWENANI YA THEMELI
CONTRACT NO.:VDM/TECH/04/05/2026/01

SUMMARY OF SCHEDULE OF QUANTITIES

SECTIONS	DESCRIPTION	AMOUNT
SECTION 2	SITE CLEARANCE	
SECTION 3	EARTHWORKS (Small Works)	
SECTION 4	EARTHWORKS (Pipe Trenches)	
SECTION 5	CONCRETE (Small Works)	
SECTION 6	MEDIUM PRESSURE PIPELINES	
SECTION 7	BEDDING (Pipes)	
SECTION 8	YARD CONNECTIONS	
	SUB-TOTAL (A)	

VHEMBE DISTRICT MUNICIPALITY MUNICIPALITY
 WATER SUPPLY AND BULK WATER RETICULATION MGWENANI THEMELI,NGULUMBI,NGOVHELA.MADAMALALA,PHINDULA,MAEMBENI AND MULEDZHI
 VILLAGE.: NGWENANI YA THEMELI
 CONTRACT NO.:VDM/TECH/04/05/2026/01

**WATER SUPPLY AND BULK WATER RETICULATION MGWENANI
 THEMELI,NGULUMBI,NGOVHELA.MADAMALALA,PHINDULA,MAEMBENI AND MULEDZHI PHASE 2A (NGWENANI YA THEMELI
 CONTRACT NO.:VDM/TECH/04/05/2026/01**

SUMMARY OF SCHEDULE OF QUANTITIES

DESCRIPTION	AMOUNT
PRELIMINARY AND GENERAL	
NGWENANI YA THEMELI BULK AND RETICULATION	
SUB-TOTAL (A)	
ADD 10% CONTIGENCY	
SUB-TOTAL (B)	
ADD 15% VAT	
TOTAL CONTRACT AMOUNT	

PART C3: SCOPE OF WORK

VHEMBE DISTRICT MUNICIPALITY



WATER SUPPLY AND BULK WATER RETICULATION OF NGWENANI THEMELI, NGULUMBI, NGOVHELA BACKSIDE, MADAMALALA, PHINDULA, MAEMBENI AND MULEDZHI PHASE 2D (NGWENANI THEMELI)

C3: SCOPE OF WORK

C3.1 STANDARD SPECIFICATIONS

C3.2 PROJECT SPECIFICATIONS

PART A: GENERAL

PS-1	Project Description
PS-2	Description of the Site and Access
PS-3	Details of the Works
PS-4	Construction Management Requirements
PS-5	Security Clearance of Personnel
PS-6	Subcontractors
PS-7	Supply of Materials
PS-8	Execution of Works

PART B: AMENDMENTS TO THE STANDARD SPECIFICATIONS

PSA	SABS 1200 A: General
PSC	SABS 1200 D: Earthworks

C3.3 PARTICULAR SPECIFICATIONS

SECTION PC	Trimming Of Site
SECTION PC	Maintenance
SECTION PE	Contingencies
SECTION PG	Generic Labour-Intensive Specification
SECTION POHS OHSA	1993 Safety Specification

VHEMBE DISTRICT MUNICIPALITY



WATER SUPPLY AND BULK WATER RETICULATION OF NGWENANI THEMELI, NGULUMBI, NGOVHELA BACKSIDE, MADAMALALA, PHINDULA, MAEMBENI AND MULEDZHI PHASE 2D (NGWENANI THEMELI)

D1.1 DESCRIPTION OF THE WORKS

D1.1.1 Employer's Objectives

The contract comprises the construction of **WATER SUPPLY AND BULK WATER RETICULATION OF NGWENANI THEMELI, NGULUMBI, NGOVHELA BACKSIDE, MADAMALALA, PHINDULA, MAEMBENI AND MULEDZHI PHASE 2D (NGWENANI THEMELI)**

D1.1.2 Overview of the Works

1.0 Proposed works

Please note that the scope of work determined below is estimated and the correct scope of work will be determined when the survey of the area has been completed.

1.1 Bulk Water Supply - Pipeline

Bulk water supply will be 200mm dia Upvc Class 12 supplying water from the storage to the village.

Table 1

Description	Unit	Length
Bulk Pipeline (200mm dia) (Upvc Class 12)	m	3000
Total		3000

1.2 Reticulation

Summary of the estimated scope of reticulation networks is as follows:

Table 2

Village Name	Estimated Quantities (m)					
	63mm	75mm	90mm	110mm	160mm	Total
1.Ngwenani Ya Themeli Village	24117,98	11938,91	7748,47	2338,04	2772,41	48915,81
TOTAL	24117,98	11938,91	7748,47	2338,04	2772,41	48915,81

1.3 Stand Pipes

Yard Connections will be implemented as follows:

Table 3

Village Name	Yard Connections to be Installed
1.Ngwenani Ya Themeli Village	1200
Total	1200

D1.1.3 Extent of the Works

The work required to be done by the Contractor, comprises the execution of civil work and includes:

- a) Establishment of the Contractor's camp and facilities
- b) Clearing and removal of trees
- c) Excavation and earthworks
- d) Pipework and valve chambers
- e) Concrete Reservoirs
- e) Trimming and finishing of construction site
- f) Removal of site establishment

D1.1.4 Location of the Works

The area is located in the North-Western part of the Thulamela Municipality within Vhembe District of Limpopo Province approximately 15 km from Thohoyandou. The project area is made up of seven scattered villages. The geographic location of each village is defined in the following coordinates:

Table 1: Coordinates of Project

Item	Village Name	Latitude (S)	Longitude(E)
1	Ngwenani Themeli Village	22 ⁰ 57'01.85"	30 ⁰ 25'29.97"

D1.1.5 Temporary Works

The Contractor has no responsibility for construction of temporary works.

D1.2 ENGINEERING

D1.2.1 Design Services and Activity matrix

- a) The Contractor has no responsibility for design of permanent works.
- b) The Contractor has no responsibilities for the design of temporary works.

D1.2.2 Employer's Design

The Employer's design of the Works is complete.

Construction drawings for the Works are complete.

As-built drawings will be compiled by the Employer, however it is to be noted that it remains the

duty of the Contractor to timeously convey any information in his possession which may prove necessary for the Engineer for compilation of the as-built drawings.

D1.2.3 Drawings

D1.2.3.1 Drawings Prepared by Contractor

None required.

D1.2.3.2 Drawings Prepared by the Employer

The drawings prepared by the Employer comprise the following:

a) Drawings issued separately

The Contractor will be supplied with one full scale print of each construction drawing free-of-charge. Further copies will be charged for at ruling rates.

Any information in the possession of the Contractor, which is necessary for the resident engineer for completing of his as-built drawings, shall be supplied to the resident engineer before a certificate of completion will be issued.

Only figured dimensions shall be used and drawings shall not be scaled unless so instructed by the Engineer. The Engineer will supply any figured dimensions which may have been omitted from the drawings.

b) Drawings are issued separately in A3 format.

As per Volume 2 of the Tender Document

D1.3 PROCUREMENT

D1.3.1 Preferential Procurement Procedure Requirements

The Employer's preferential procurement policy applicable to this Contract is set out in section 6.3.2 of the Tender Data.

D1.3.1.1 Applicable Specification

The South Africa National Standards SANS 1914 - 5: 2002 Edition 1 specification shall apply to the Contract.

a) Definition of Targeted Labour

South African Citizens who:

- have not been employed for more than 100 days during the year preceding their engagement on the Contract; and
- reside within the boundaries of Vhembe District Local Municipality

b) Weighting Factor (Clause 3.3.1)

The weighting factor for all cases shall be unity.

c) Targeted Labour Engagement

Targeted labour shall be engaged on the following aspects of the Contract:

<u>Activity</u>	<u>Target area</u>
-----------------	--------------------

Site Clearance	Clearing of pipeline route
Bedding	Pipe laying
Backfilling	Pipe laying

D1.3.2 Subcontracting

D1.3.2.1 Mandatory subcontract works

This project does not provide for any mandatory subcontract works.

D1.3.2.2 Preferred subcontractors/suppliers

This project does not provide for any preferred subcontractors or suppliers.

D1.3.2.3 Subcontracting procedures

Should the Contractor intend to employ subcontractors for execution of portions of the Works, the relevant information shall be submitted per Appendix A8 of Part 2 of this document, for consideration of the Employer.

D1.4 CONSTRUCTION

D1.4.1 Works Specifications

D1.4.1.1 Applicable SABS Standardised Specifications

The applicable standardised specifications for this Contract shall be the following:

SABS 1200	A	-	General
SABS 1200	C	-	Site Clearance
SABS 1200	D	-	Earthworks
SABS 1200	DB	-	Earthworks (Pipe Trenches)
SABS 1200	DK	-	Gabions & Pitching
SABS 1200	G	-	Concrete
SABS 1200	L	-	Medium Pressure Pipelines
SABS 1200	LB	-	Bedding

D1.4.1.2 The following variations to standardised specifications and additional clauses are applicable to this Contract and are contained in the “Annexure to the Scope of Work”.

PSA	General
PSAB	Engineer’s Office
PSC	Site Clearance
PSDB	Earthworks (Pipe Trenches)
PSDK	Gabions and Pitching
PSG	Concrete (Structural)
PSHC	Corrosion Protection
PSL	Medium Pressure Pipelines
PSLB	Bedding (Pipes)

D1.4.1.3 Particular Specifications

The following Particular Specifications are applicable to this Contract and are contained in the “Annexure to the Scope of Work”.

PA	Trimming of Site
PB	Building Work
PE	Contingencies
PF	Fencing
POHAS	Occupational Health and Safety

D1.4.2 Plant and Materials

All materials used in the Works shall, where such mark has been awarded for a specific type of material, bear the SABS mark.

D1.4.3 Construction Equipment

The contractor's equipment for construction shall be adequate for the purpose required, of modern design and in good condition to carry out the works expeditiously. Should the Engineer be of the opinion that the equipment in use is in any way unsuitable for carrying out the works in a manner or at a rate commensurate with the requirements of the contract, he shall have the right to call on the Contractor at any time during the progress of the works to provide such additional or improved equipment as may be necessary to meet these requirements.

The Employer makes no provision in this contract for financial assistance to the Contractor for the acquisition of plant, machinery and equipment.

D1.4.4 Existing Services

D1.4.4.1 Care of Existing Services

It is to be noted that construction work will be done adjacent to or traversing existing services. Prior to commencement of any constructional work in the aforesaid affected area, the Contractor shall satisfy the Engineer that all necessary precautions with respect to setting out procedures have been taken by the Contractor to evade the existing services.

The Contractor shall, before starting any excavations, carefully search and probe the terrain for any existing services or indications of the presence of such services. A payment item is included in the Schedule of Quantities for excavations by hand to locate known and unknown services. If other methods are to be used, the cost thereof is to be included in the Preliminary and General Payment items.

In addition, if the proposed new services cross underneath overhead power lines belonging to Eskom as well as underground pipelines and communication cables belonging to Telkom, the Contractor shall have to comply with all the requirements laid down by the relevant authorities when working in the vicinity thereof. The Contractor shall be responsible for checking the locations of all such services with representative of the relevant authorities to ensure that no damage is caused by construction operations.

Work executed within the road reserve of provincial or local roads shall be carried out strictly in accordance with the requirements laid down by the relevant provincial or local authorities. These include the use of traffic signs, flagman and other requirements as applicable.

As the above work entails working in or close to an already developed enclosure, special care must be taken so as not to disturb the functioning of the existing facilities.

D1.4.4.2 Connection to Existing Services

Prior to connection of new services to existing services, the Contractor shall ensure that the constructed services are clean and free of foreign matter and shall subsequently request the Engineer, in writing, to inspect such Works. Only upon written approval of the Engineer, may connections to existing services be made.

D1.4.4.3 Contractor to Notify Relevant Authority and the Engineer of Damaged Service

In the event of any service being damaged or accidentally disconnected for any reason, the Contractor shall immediately contact the relevant authority for instructions and shall report the occurrence to the Engineer in writing. The report shall include the reasons for the occurrence of the incident. When instructed the damaged is to be repaired as soon as possible to the approval of the Engineer and Authority. The Contractor will be held responsible for paying all costs incurred by the Service owner or himself as result of each incident where the relevant service was clearly identified beforehand.

D1.4.5 **Site Establishment**D1.4.5.1 Services and Facilities provided by the Employer:a) Water

No water is available on site.

b) Electricity / power supply

No electricity is available on site.

The Contractor shall be responsible for making his own arrangements to obtain water, electric power and other services that he may require for construction purposes.

The costs of making such arrangements, for meeting the conditions imposed and for the metered consumption shall be paid by the Contractor, and his tender will be held to include for all such requirements throughout the duration of the Contract. All water including that used for testing will be charged for at the prevailing tariffs.

D1.4.5.2 Facilities Provided by the Contractor

The Contractor will be required to make his own arrangements for the provision of a suitable construction camp, offices and workshops. He shall be responsible for all negotiations with the relevant authorities and he shall comply with all requirements imposed by those authorities. Suitable sites available within the municipal area will be pointed out during the site inspection.

Should the Contractor require additional storage sites outside of the municipal areas he will be responsible for making his own arrangements at his own cost for such offices.

The facility shall be properly fenced around the perimeter. Temporary buildings and fencing are to be neat and presentable and the surrounding areas must be at all times be kept in a neat, clean and orderly condition. The costs associated with the provision of these items shall be borne by the Contractor. The Contractor will be required to remove all facilities and restore the site to its original condition on completion of Works.

D1.4.5.3 Other Facilities and Servicesa) Latrine and Ablution Facilities

It will be required of the Contractor to provide temporary toilets and ablution facilities for his staff for the currency of the contract, to the standards laid down by the Authorities.

b) Housing of Contractor's Staff

The Contractor shall make his own arrangements for the housing of his supervisory staff.

c) Security

The Contractor will be responsible for providing adequate security for the Works and for the site establishment. All costs associated with the provision of watchmen shall be borne by the Contractor.

D1.4.5.4 Name Boards

The Contractor shall provide for the installation of two name boards. The size, design and contents shall be as indicated on the detail drawing.

The name boards shall be removed upon completion of the Works.

D1.4.6 **Site Usage**

The Employer expects the contractor, his staff or agents to maintain good public relations with landowners, other contractors and members of the public at all time.

The Contractor shall see to it that no roads, gates, pipes, fences, vegetation and crops with private ownership is damaged due to construction activities.

D1.4.7 Permits and Way Leaves

No way leaves are required on this project.

D1.4.8 Alterations, Additions, Extensions and Modifications to Existing Works

The Contractor shall verify all levels, alignment and dimensions of existing structures or components thereof prior to the commencement of any work to determine the compatibility with the proposed works. The Contractor shall notify the Employer's Agent of any discrepancies.

D1.4.9 Water for Construction Purposes

No water for construction purposes is available on site. The Contractor shall make provision for procuring, transporting and storing of water for construction purposes at his own cost.

D1.4.10 Survey Control and Setting Out of the Works

D1.4.10.1 Survey Control

a) Geometric Control

The Bench Mark Control and topographical survey for the Works has been established. The Contractor is to check the Bench marks and existing levels prior to construction and bring any discrepancies to the attention of the Engineer.

b) Preservation and Replacement of Beacons and Pegs

The Contractor shall protect and preserve all survey marks. Any survey marks disturbed or removed without prior written consent of the Engineer, shall be replaced by a Registered Land Surveyor at the expense of the Contractor.

Any errors in construction levels or positions resulting from use of disturbed bench marks shall be made good by the Contractor at his expense.

D1.4.10.2 Setting out of the Works

a) Setting out

The Contractor shall set out the Works in relation to original points, lines and levels of reference specified in the Contract Data or notified by the Engineer. The Contractor shall be responsible for the correct positioning of all parts of the Works, and shall rectify any error in the positions, levels, dimensions or alignment of the Works.

b) Construction Tolerance Control

The Contractor will be required to issue to the Engineer in writing certification of construction accuracy at each of the following construction phases, before continuing with the next phase of construction:

- i) Setting out of Works.
- ii) Corner positions and levels of building platform

The Contractor shall only continue with the next phase of construction when directed by the Engineer in writing.

Should any item or section of the Works be constructed outside the limits of tolerance specified, instruction for remedial or other measures will be issued by the Engineer. The Contractor will not be permitted to continue with the next phase of construction until remedial work has been completed to the satisfaction of the Engineer.

No claim for loss in material, production or time resulting from the Contractor's work being constructed outside the limits of tolerance specified, will be entertained.

D1.5 MANAGEMENT

D1.5.1 Management of the Works

D1.5.1.1 Planning and Programming

The Contractor shall supply within the period stated in the Contract Data a suitable and realistic construction programme, cash flow diagram, and critical path diagram for the consideration of the Engineer. This programme shall show the proposed scheduling and methods of execution of the Works and the resources to be allocated to each item or phase of the work. Quantities proposed for execution during each week and the anticipated cash-flow based upon these quantities should be shown, due allowance being made for price escalations and retention moneys.

The programme shall make provision for the accommodation of other contractor's requirements. It will be required from the contractor to liaise with other contractors to ensure continuous co-ordination and execution of the scheduled work.

D1.5.1.2 Recording of Weather

The Contractor shall provide and install a rain gauge on site and shall record rainfall data in the site diary. A site diary will be issued to the Contractor.

D1.5.2 Health and Safety

D1.5.2.1 Health and Safety Requirements

The Occupational Health and Safety Act, Act 85 of 1993 shall apply to this contract. The Contractor shall comply with the Particular Specification for Occupational Health and Safety.

D1.5.2.2 Protection of the Public

As the above entails working in an already developed area where services are provided to the general public special attention must be paid to the following aspects:

- a) No blasting or working with percussion tools will be allowed unless prior written approval from the Engineer and local authorities is obtained.
- b) Safety of the public must be of prime importance and the utmost care must be taken to ensure that the correct signs, barriers and warning devices are in place.
- c) Movement of construction equipment must be controlled on site at all times.
- d) When dust from the Works becomes a nuisance the Contractor shall, when so ordered by the Engineer, apply sufficient water or take other measures to lay the dust.

D1.6 ANNEXURES

Standard Forms to be used during currency of Contract

Certificate Summary
 Summary of Schedules
 Schedules – Description

Contract Price Adjustment
Daywork Returns
Requisition for Final Checking of Work
Requisition for Checking of Earthworks
Requisition for Concrete Pour
Testing of Pipelines

ANNEXURES TO THE SCOPE OF WORK

reconciliation of all quantities, rates, extensions and additions in the certificate. Upon approval by the Engineer's Representative, the certificate shall be submitted in typed form to the Engineer before or on the 7th day of each month following the month of measurement, together with the required number of copies, for certification. It will be assumed that the Contractor has made adequate provision in the prices tendered for manufacture/supply, delivery, assembly, installation and commissioning of all necessary aids required to execute the contract. The certificates shall be according to the standard format included in the annexures to these specifications. Special attention shall be given to the requirements set out in Special Condition of Contract 49(1).

Where day works have been instructed by the Engineer, the Contractor shall submit the returns to the Engineer for signature and approval within twenty-four (24) hours of the end of the working day on which the work was executed. Day work returns shall be submitted on forms included in the annexures to the Specifications.

PSA7 SUMS STATED PROVISIONALLY (Clause 8.5)

PSA7.1 A provisional amount has been included in Schedule 1 for materials to be used during the execution of day works.

In addition to the abovementioned amount, provision is made for a mark-up on the materials to be used during the execution of day works. Payment made shall be regarded as full compensation for overheads, charges and profit on the materials to be used when executing day works.

PSA7.2 A Provisional Sum has been included in Schedule 1 for contingencies. No percentage mark-up will be applicable to any payments made in this regard other than those included in prices for variation determined in terms of Clause 36 of the Conditions of Contract.

PSA8 INSTRUCTIONS BY THE ENGINEER

Site instructions by the Engineer, addressed to the Contractor at his office on the site, will be numbered consecutively and will be deemed to have been received by the Contractor's Representative unless a break in the sequence of numbers is brought to the notice of the Engineer in writing immediately.

PSA9 SITE RECORD BOOK/DIARY

An approved quality A4-size, triplicate copy, Site Record Book/Diary shall be kept in the Contractor's site office and be accessible to the Engineer at all times.

A summary of each working day's events shall be recorded in this book, including inter alia, plant and machinery, movement of materials, construction work completed or undertaken (e.g. volume of concrete cast, mass of reinforcement fixed, length of cabling erected, etc. Daily entries shall be initialled both by the Resident Engineer / Engineer / Engineer's Representative at the close of the day's activities, or immediately prior to the start of construction activity on the following working day.

Compliance with these requirements is deemed to be included in the Contractor's tendered rates.

PSA10 CONSTRUCTION

PSA10.1 Survey

PSA10.1.1 Setting out of the works

The Bench Mark Control and topographical survey for the works has been established. The Contractor is to check the Bench Marks and existing levels by staking prior to construction and bring any discrepancies to the attention of the Engineer.

PSA10.1.2 Preservation and Replacement of Beacons and Pegs

The Contractor shall protect and preserve all survey marks. Any survey marks disturbed or removed without prior written consent of the Engineer, shall be replaced by a Registered Land Surveyor at the expense of the Contractor.

PSA10.1.3 **Setting-out and Construction Tolerance Control**

The Contractor will be required to issue to the Engineer in writing certification of construction accuracy at each of the following construction phases, before continuing with the next phase of construction:

- a) Setting out of Works
- b) Centreline of pipeline

The Contractor shall only continue with the next phase of construction when directed by the Engineer in writing.

Should any item or section of the Works be constructed outside the limits of tolerance specified, instruction for remedial or other measures will be issued by the Engineer. The Contractor will not be permitted to continue with the next phase of construction until remedial work has been completed to the satisfaction of the Engineer.

No claim for loss in material, production or time resulting from the Contractor's work being constructed outside the limits of tolerance specified, will be entertained.

PSAB **ENGINEER'S OFFICE**

PSAB1 **OFFICE BUILDINGS (Clause 3.2)**

The Contractor shall supply and furnish an on-site office of at least 16 m² for the use of the Engineer or his representative. Included in this item the Contractor must allow for the cost of providing electricity, acceptable lighting and air conditioning.

The internal furnishings of the office shall include:

- a) One trestle table, 2 m long x 1 m wide x 0,9 m high with a smooth top
- b) One desk having a top size of at least 1,5 m x 0,9 m
- c) One high chair
- d) Two chairs
- e) A lockable steel filing cabinet with four drawers
- f) An A0 drawing cabinet

The Contractor will be responsible for the security of the office.

PSAB2 **TELEPHONE (Clause 5.4)**

A cell phone will be required for the use of the Resident Engineer for the duration of the contract.

PSAB3 **NAME BOARDS (Clause 3.1)**

Two names board will be required.

PSAB4 **MEASUREMENT AND PAYMENT**

PSAB4.1 **Telephone**

A provisional sum shall be included for providing communication systems.

Payment for expenditure under this item will be made in accordance with the money expended, subject to written proof by the Contractor of payment of the amounts.

PSC **SITE CLEARANCE**

PSC1 **SCOPE (Clause 1.1)**

The scope of the work shall also include:

- a) Clear and grub the area of the works. Include for material, rubble and debris, temporary stockpiling (if necessary) and dispose of neatly on site as directed by the Engineer.
- b) Remove and grub all trees and tree stumps regardless of girth. (No tree shall be removed without the express approval of the Engineer).
- c) A 3.0 m clearance has been allowed around the effective centre line outer limits of the pipeline. Should the Contractor require more space due allowance shall be made in his rate for this item.

PSC2 **DISPOSAL OF MATERIAL (Clause 3.1)**

All rubble, debris and waste material shall be disposed of neatly on site as directed by the Engineer.

PSC3 **PRESERVATION OF TREES (Clause 5.2.3)**

No trees shall be cut down without the express approval of the Engineer.

PSC4 **CONSERVATION OF TOPSOIL (Clause 5.6)**

Topsoil shall be preserved and restored over the backfill area.

PSC5 **LANDSCAPE PRESERVATION AND CONSERVATION OF FLORA (Clause 5.7).**

All flora outside the designated 3.0 m clearance line defined under the preceding Clause PSC1 shall be preserved.

Any damage of whatever nature shall be made good to the Engineer's instructions and at the Contractor's own expense.

The cost of preservation shall be deemed included in the Tenderer's rates.

PSC6 **MEASUREMENT & PAYMENT**

PSC6.1 **Transport and Disposal of Materials and Debris on Site**

The rate shall cover all cost for temporary stockpiling on site (if necessary); and disposing of neatly on site to the Engineer's site instructions.

PSDB **EARTHWORKS** (Pipe Trenches)

PSDB1 **COMPACTION IN AREAS SUBJECT TO TRAFFIC LOADS** (Sub-clause 5.7.2)

All road crossings indicated on the drawings and those areas designated by the Engineer as being areas subject to traffic loads shall be compacted in accordance with SABS 1200DB - Clause 5.7.2, that is, trenches are to be backfilled in layers of compacted thickness not exceeding 150 mm and shall be compacted to 93% of MOD AASHTO density in the case of cohesive soils and 98% of MOD AASHTO density in the case of non-cohesive soils.

PSDB2 **DEPTH OF TRENCH EXCAVATIONS** (Sub-clause 8.2.3)

Trench excavations shall make provision for the specified bedding described in clauses 5.5 and 8.2.3. Unless otherwise specified, all water supply pipes shall be laid with a minimum cover of 1

000 mm.

VARIATIONS TO THE REQUIREMENTS OF SABS 1200DK - EARTHWORKS (GABIONS & PITCHING)**PSDK GABIONS AND PITCHING****PSDK1 GEOTEXTILE (Sub-clause 3.1.4)**

PSDK 1.1 The geotextile to be used where shown on the drawings shall be of the non-woven, spun, needle punched type made from polyester fibres.

PSDK2 PITCHING

Pitching shall be backed by geotextile of the grade and with jointing specified on the drawings. No protective layer is between the geotextile and pitching but the Contractor shall exercise the necessary care during the execution of the work to ensure that the geotextile is not damaged.

PSG CONCRETE (Structural)**PSG1 MATERIALS****PSG1.1 CEMENT (Clause 3.2.1)**

All Cement to be used shall conform to SABS EN 197-1. Only CEM I 42, 5 cement shall be used in construction of the Works.

PSG1.2 STORAGE OF CEMENT (Clause 3.2.3)

A first-in-first out circulation shall be followed to ensure that no cement shall be older than two (2) months from the date of manufacture.

PSG1.3 AGGREGATES (Clause 3.4.1)

The maximum size of the coarse aggregate shall be 20 mm unless otherwise indicated on the drawings.

PSG2 PLANT**PSG 2.1 FORMWORK****PSG2.1.1 Finish (Clause 4.5.2)**

All concrete, save for water retaining structures against which earth will be backfilled, shall be finished rough.

All exposed concrete surfaces shall be finished smooth to Degree of Accuracy I. (Sub clause 6.2.3), unless otherwise indicated on the drawings.

PSG2.1.2 Ties (Clause 4.5.3)

No system leaving holes through the walls will be permitted. Ferrules shall be of the permanent sacrificial type.

Sacrificial holes formed in reinforced concrete walls during the fixing of formwork shall be repaired with 1:3 cement-sand mortar. All grouting material shall be thoroughly punned in.

PSG2.1.3 Chamfers (New Clause 4.5.4)

All rectangular edges or corners shall be chamfered off to 20 mm x 20 mm unless otherwise indicated on the drawings.

The scheduled prices for formwork shall include for forming of chamfers.

PSG3 CONSTRUCTION**PSG3.1 REINFORCEMENT**

PSG3.1.1 Fixing Tolerances (Clause 5.1.2)

Reinforcement shall be positioned as shown on the drawings (read together with the bending schedules) and maintained in those positions within the tolerances given in Clause 6.2 to degree of accuracy I, unless otherwise indicated on the drawings.

PSG3.2 FORMWORKPSG3.2.1 Classification of Special Finishes (Clause 5.2.1)PSG3.2.1.1 Rubbed surface finish

Where a rubbed surface finish is specified or scheduled the surface shall first be treated as a smooth finish as specified in SABS 1200 G sub clause 5.2.1(b).

After sufficient time has elapsed to allow the mortar to set, the surface shall be saturated by water. Rubbing shall then be carried out with a medium coarse carborundum stone and a small amount of mortar until all form marks, projections and irregularities are removed and a uniform surface obtained.

Leaving the paste produced by the rubbing in place, rubbing shall be continued with a fine carborundum stone and water. Rubbing shall be continued until the entire surface is of a smooth even texture and uniform colour. After the final rubbing the surface shall be washed down to remove surplus paste and powder.

PSG3.3 HOLES, CHASES AND FIXING BLOCKS (Clause 5.3)

Substitute the contents of the clause with:

a) General

Holes, recesses and boxed-out openings shall be allowed in concrete structures, as specified, for the subsequent installation of mechanical equipment and/or pipework.

b) Preparation of openings for the installation of equipment

Before commencing the positioning in holes of any pipes/specials the Contractor shall:

- i) Remove all shuttering and boxing remaining in the holes;
- ii) Make any alterations required to the position and shape of the holes;
- iii) Thoroughly clean the sides of the holes so as to obtain a satisfactory bond surface for the new concrete; and
- iv) Free all surfaces of the pipes/specials of all coatings, and thoroughly scrape and clean the pipes/specials.
- v) Apply a wet-to-dry concrete adhesive (two component, solvent free, and polysulphide modified epoxy compound) immediately before grouting.

c) Grouting of voids

The concrete ingredients shall be mixed and placed as dry as possible to obtain a dense, waterproof concrete. Where a watertight seal is required, the concrete shall constitute a non-ferrous, non-shrink grout. The grout shall be worked around the puddle flange, if any, and the pipe barrel or body of the special, and shall be vibrated in layers so as to obviate

any falling away from pipe/special surface of the concrete already placed. The whole shall, when set, form a dense, homogeneous, and waterproof mass. A spare vibrator with an independent power source shall be kept in readiness to ensure continuity of placing in the event of the breakdown of the duty vibrator.

Smooth formwork that has been suitably strengthened for use with a vibrator shall be provided for facing the concrete around each pipe/special.

PSG3.4 PIPES AND CONDUITS EMBEDDED IN CONCRETE (Clause 5.4)

Except with the written approval of the Engineer, no pipes other than those shown on the drawings shall be embedded in concrete, and the approval of the Engineer for the position of all services to be embedded shall be obtained before concreting commences. The clear space between pipes of any kind embedded in reinforced concrete and the clear space between such pipes and reinforcement shall not at any point be less than:

- i) 40 mm; or
- ii) 5 mm plus the maximum size of coarse aggregate, whichever is the greater.

PSG3.5 CONCRETE

PSG3.5.1 QUALITY

PSG3.5.1.1 No-fines Concrete (New Clause 5.5.1.8)

a) Scope

This section covers the manufacture and placing of no-fines concrete used in the Works.

b) Materials

Cement, aggregate and water shall comply with the requirements of Clause 3 of SABS 1200G, read together with sub-clause PSG1.1 herein.

c) Classes of No-Fines Concrete

No-fines concrete shall be classified by the prefix NF and the size of aggregate to be used. ClassNF 19 means a no-fines concrete with a 19mm nominal size aggregate.

The volume of aggregate per 50kg of cement for each class of concrete shall be as follows:

Class	Aggregate per 50kg cement
NF 38	0,33m ³
NF 19	0,30m ³
NF 13	0,27m ³

d) Batching and Mixing

Cement shall be measured by mass or full pockets of 50kg each and aggregate shall be measured by volume in approved measuring boxes or barrows.

The quantity of water added shall be just sufficient to form a smooth grout which will adhere to and coat completely each and every particle of aggregate, and which is just wet enough to ensure that at periods of contact of aggregate the grout will run together to form a small fillet to bond the aggregate together. The mix shall contain no more than 20 litres of water per 50kg of cement.

Mixing shall be carried out in an approved batch type mechanical mixer but small quantities may be hand mixed.

e) Placing

No-fines concrete shall be placed in accordance with the procedure agreed to by the Engineer. It shall be placed in its final position within 30 minutes of mixing.

The concrete shall be worked sufficiently to ensure that it completely fills the space to be concreted and that adjacent aggregate particles are in contact with one another. Excessive tamping or ramming shall be avoided and under no circumstances shall the concrete be vibrated.

f) Curing

All no-fines concrete shall be protected from the elements and loss of moisture. Protection against loss of moisture shall be accomplished by one or more of the following:

- a) Retaining formwork in place.
- b) Covering exposed surfaces with sacking or other approved material kept continuously wet.
- c) Covering exposed surfaces with plastic sheeting.

No-fines concrete shall be cured for at least 7 days.

g) Covering of No-Fines Layer

In the event that no-fines concrete is to be covered by concrete, the under mentioned procedures shall be followed:

Before second stage concrete is cast on the no-fines, the surface shall be covered with building paper to prevent mortar from the wet concrete entering the no-fines layer. The building paper shall be properly protected against unnecessary damage before the concrete is cast.

h) Permeability of the No-fines Layer

After the no-fines concrete has been cured, the layer shall be tested for permeability by the continuous sprinkling of water over the entire area with approved sprinklers. The layer shall be considered acceptable if no water is ponding on the surface and if the water is running freely into the drainage system.

PSG3.5.2 COMPACTION (Clause 5.5.6.3)

Delete the words:

“or (if approved) by spading, rodding or forking”.

PSG3.5.3 CONCRETE SURFACE FINISH (Clause 5.5.10.2)

Delete the words:

“Degree of Accuracy II” and substitute with: “Degree of Accuracy I unless otherwise indicated on the drawings”.

PSG3.5.4 WATERTIGHT CONCRETE (Clause 5.5.11)

Add to Clause 5.5.11 the following:

a) Definition (Clause 2.3)

For purposes of this Contract, all reservoirs, chambers and manholes will be regarded as **water retaining structures**.

The requirements of the Department of Water Affairs Specification DWS0750 (refer to

Section 5) shall apply in addition to SABS 1200G.

b) Construction Joints

i) General

Construction joints in the reinforced concrete walls shall consist only of horizontal joints. If under abnormal conditions a vertical construction joint is unavoidable it may only be constructed with the approval of the Engineer.

Construction joints shall only be placed at intervals shown on the drawings or as directed by the Engineer. The exact position of construction joints shall be marked on the formwork in order to obtain truly horizontal joints.

A sealant using an approved PVC water stop (water bar) shall be placed, as specified, **at all construction joints**.

ii) Preparation of Surface

Prior to placing any further concrete, the joint must be clean, damp and free of laitance. During the period when the concrete has set but is still green all loose material shall be removed, without disturbing the aggregates, by light brushing. Where this is not possible, or if the concrete has already set, the surface film shall be removed by mechanical means appropriate to the degree of hardness of concrete so as to expose the aggregate over the entire surface and leave a sound, irregular surface.

c) Ferrule Cup Holes

No system leaving holes passing through the walls will be permitted. Ferrules shall be of the permanent sacrificial type.

Holes formed in reinforced concrete walls during the fixing of formwork shall be repaired on the waterside face with an approved epoxy or non-shrink grout. On the dry face the holes left in the concrete shall be repaired with 1:3 cement-sand mortar. All grouting material shall be thoroughly punned in.

PSG4 **TOLERANCES**

PSG4.1 **PERMISSIBLE DEVIATIONS**

PSG4.1.1 Specified PD's (Clause 6.2.3)

The following permissible deviations for location of holding down bolts shall apply:

a) the centre line of a holding-down bolt from its designated location in plan:

plus 1 mm, minus 1 mm

b) the top of the bolt from its designated elevation:

plus 5 mm, minus 3 mm

PSHC **CORROSION PROTECTION OF STRUCTURAL STEELWORK**

PSHC 1 **PREPARATION FOR COATING** (Clause 5.4)

PSHC 1.1 **Wire-Brushing (Clause 5.4.3.2)**

Notwithstanding the requirements of PSH 4.3, steelwork, as relevant after fabrication shall be cleaned by hand by means of wire-brushing or any other appropriate method to a finish equal to or better than Sa 2½ of SIS 05 59 00.

PSHC 1.2 **Sand Blasting (Clause 5.4.3.1)**

Notwithstanding the requirements of PSH 4.3, steelwork, as relevant after fabrication shall be cleaned by means of sand blasting to a finish equal to or better than Sa 2½ of SIS 05 59 00.

PSL **MEDIUM PRESSURE PIPELINES**

PSL1 **GRADE OF STEEL** (Clause 3.4)

All steel piping and fittings shall be electric welded low carbon steel pipes in accordance with the requirements of SABS 719-1971 and BS 534-1966. Where non-standard specials have been detailed on the drawings, such dimensions shall be adhered to. All flanged pipes and fittings shall have flanges as specified, and shall be supplied complete with all packings, nuts, bolts and washers. Steel piping shall be made from Grade B steel. Viking Johnson couplings complete with all seals, bolts, nuts, etc. shall be used where detailed. Where new installations couple up with existing the Contractor shall ascertain what the flange drillings are of all existing fittings prior to any placement or order, and shall confirm this information with the Engineer.

PSL2 **PIPE COUPLINGS** (Additional to clause 3.7)

PSL2.1 **Polyvinyl Chloride** pipes shall be supplied with factory fitted 'Z-type' couplings. Solvent welded joints will only be permitted for pipes of diameter smaller than 50 mm. PVC pipe fittings shall be PVC or Cast Iron, aluminium fittings are not allowed.

PSL2.2 **Polyethylene** pipes shall be supplied suitable for, and with compression or insert type fittings as scheduled. No screwed fittings shall be used without written approval. Polyethylene pipe fittings shall be Nylon.

PSL3 **ASBESTOS CEMENT PIPE FITTINGS** (Clause 3.8.1)

Asbestos Cement pipe fittings shall be Cast Iron or Steel. Where steel fittings are provided, they shall be adequately reinforced against ovalness (over the entire circumference and width corresponding to half the width of the appropriate standard AC coupling) by means of welded collars of minimum thickness 12mm.

PSL4 **VALVES** (Clause 3.10)

PSL4.1 **Gate Valves**

All gate valves to comply with SABS 664, waterworks application, be clockwise closing have a non-rising spindle and be plain thrust collared. Valves and flanges (if any) to be to the class specified.

Valves to be operated by either hand wheel, cap top and tee-key or extended spindle and hand wheel/tee-key. Operator to be specified.

Valves to be flanged or spigot ended as specified.

PSL4.2 **Butterfly Valves**

All Butterfly valves to be of the 'Boving' (or similar approved) resilient sealing type and shall be supplied complete with geared operator and hand wheel. All geared operators shall have horizontal spindles.

PSL4.3 **Valve Spindles**

All extended valve spindles shall be supplied at both ends with cast iron tops for valve key operation. The spindle shall be fitted into the valve box with a bearing for easy operation.

The lengths of extended spindles are to suit the dimensions of their installation positions, all spindles supported at 4m maximum intervals.

PSL5 **STEEL FLANGES** (Clause 3.8.3)

PSL7 HANDLING AND RIGGING (Clause 4.1)**PSL7.1 Transportation**

Pipes and valves shall be protected during transportation and handling against damages caused by impact, dropping, etc. Special care shall be taken during transportation to protect pipes. Rubber lined vertical posts shall be spaced on the sides of transporting vehicles to provide adequate support to the loaded pipes. All pipes shall be inspected for defects immediately before laying and faulty pipes or pipes which have suffered damage which would affect their serviceability shall not be used in the Works.

PSL7.2 Off-loading and storage

Pipes which cannot be off-loaded by hand shall only be lifted by means of suitably approved broad band slings. The use of wire, chains, hooks, crowbars and similar items shall not be permitted and the pipes, fittings and specials shall not be handled in such a manner as could cause damage to occur.

Pipes, fittings and specials shall at no time be laid, stacked or rolled directly into the ground but shall be supported on suitable padded cradles or other approved material near each end of the pipe, fittings or special. Particular care shall be taken where pipes with fitted couplings are handled or stacked to prevent any pressure on the couplings. Where loose AC-couplings are provided the couplings shall be stored flat on their sides and under no condition be rolled or stored in an upright position.

All PVC-pipework as well as the rubber sealing rings in pipe couplings shall be protected from the elements to prevent deterioration of the pipework.

No concessions will be made in the above regard and failure on the Contractor's part to comply shall be considered just cause for the Engineer to order such part of the works to be closed down.

When the pipes are to be stored on site it is essential that the storage be as level as possible and clearing of any objects which may cause damage to the pipes. When a load of pipes arrives, insure that a representative of the manufacturer is present to supervise the off-loading.

PSL7.3 Inspection on delivery

The Engineer's Representative will thoroughly inspect all pipes, fittings and specials delivered to the site but his acceptance of same as being in good condition shall not relieve the Contractor of any of his obligations or responsibilities under this Contract.

Materials rejected by the Engineer shall be removed from the site and shall be replaced by other approved materials by the Contractor at his own expense.

PSL8 SETTING OUT (Clause 4.2)

Alignment of the pipes may be done either by means of infra-red sighting equipment or by sight rails. The following method should be followed if alignment is to be done by sight rails:

Prior to the preparation of the pipe bedding, the Contractor is to erect sight rails of 38mm x 150mm timber at intervals of a maximum of 60m or at points of change of pipe gradient, whichever may be the lesser. These shall be supported by wooden posts on each side firmly fixed on solid ground and the rails shall be accurately placed in position as regards alignment and invert level of the proposed trench. The centre line of the trench (i.e. pipeline) shall be denoted on each sight rail, both back and front by a single vertical line drawn thereon, and the rail on either side of the centre line painted in two contrasting colours. The Contractor shall also provide boning rods of an appropriate length marked in even decimetres for use in the fixing of the trench bottom to the correct line and level.

PSL9 LAYING AND JOINTING

PSL9.1 Approval of trenches and bedding

No pipe laying shall commence on any particular section until the Engineer has approved of the trenches and bedding. No pipes shall be laid in trenches with free standing water.

PSL9.2 Positioning pipes and fittings

The pipes shall be laid true to the lines, levels and grades shown on the drawings, or ordered by the Engineer, to within the specified tolerances.

PSL9.3 Jointing

All valves and fittings are to be checked beforehand to ensure their operational order prior to connection in the line.

The ends of laid pipes shall be suitably closed by means of approved caps, or as shown on the drawings, to prevent the ingress of soil or other matter. After the pipes have been laid, they shall be inspected and checked by the Engineer for grade, direction and line, to the specified tolerances.

PSL10 BACKFILL (New clause)

PSL10.1 Approval

Following the inspection by the Engineer with respect to the grade, direction and line as well the successful testing of the pipeline the Contractor shall promptly refill trenches and excavations.

PSL10.2 Material and Method

Material used for backfill shall be either selected granular material, selected backfill material or main fill as specified in SABS 1200 LB : Bedding (Pipes) with the backfill profile as described for the specific type of bedding.

The pipe must be supported underneath and on the side by placing prisms of the bedding material underneath the pipe. The backfill material shall then be punned around the pipe until a cover above the pipe of at least half the width of the trench is reached. Only then may mechanical compaction commence.

The selected material shall be brought up in 150mm layers, uniformly moistened to the optimum moisture content to attain the specified compaction. After reaching a cover of 300mm above the pipe, filling with the main fill may commence.

The degree of compaction shall in all cases be at least 90% of the modified AASHTO density.

PSL10.3 Finishing off

The backfill shall be mounded to a height of 100mm above ground level with gaps allowed at regular intervals for cross drainage. Sufficient topsoil shall be set aside during vegetation to form not less than the upper 150mm layer of backfill material. Any surplus material shall then be levelled off adjacent to the pipeline.

PSL11 LEGEND AND NODAL DESCRIPTIONS

Descriptions of each pipeline node, giving details of the required fittings and the sequence of assembly, as well as legend explaining the codes used in the nodal descriptions will be supplied to the successful Tenderer.

PSL12 TEST PRESSURE (Clause 7.3.1.2)

The maximum working pressure head for the purposes of clause 7.3.1.2 shall be taken as the working pressure of the specified pipe or such working pressure indicated by the Engineer for the

particular designed pipe reach.

PSL13 MEASUREMENT AND PAYMENT

PSL13.1 Principles

- a) Measurement of the specials and valves shall be as per the appropriate items in SABS 1200L i.e. Items 8.2.2 and 8.2.3.

Measurement of the pipes shall be as per item 8.2.1 in SABS 1200 L.

PSLB BEDDING (Pipes)

PSLB1 MATERIALS (Subclause 3)

PSLB1.1 Selected Granular Material (Subclause 3.1)

Selected granular material shall be regarded as a clean river sand or any other granular, non-cohesive material of an acceptable nature and a P.I. less than 6. Stones shall not be in excess of 20mm. Selected granular material might occur in-situ, be imported or selected from trench excavation.

PSLB1.2 Selected Fill Material (Subclause 3.2)

Selected fill material shall be material that has a P.I. less than 10 and does not contain vegetation or stones exceeding 30mm. Selected fill material might occur in-situ, be imported or selected from trench excavations.

PSLB1.3 Ordinary Backfilling

Ordinary backfilling will consist of material excavated and, if so approved by the Engineer, of material imported from other parts of the trench or borrowed from adjacent to the trench on the downhill side. All material above the selected fill blanket (drawing SABS LB-1) will be measured as ordinary backfill.

PSLB2 BEDDING (Subclause 3.3)

PSLB2.1 Rigid Pipes

All steel and AC pipes for water supply will be regarded as being rigid and shall be bedded in a class C bed detailed on attached drawing 8100.91.1C, unless otherwise specified.

PSLB2.2 Flexible pipes

uPVC and polythene pipes will be regarded as being flexible and shall be bedded as detailed on attached drawing 8100.91.2C.

PSLB3 TOLERANCES

PSLB3.1 Moisture Content and Density (Subclause 6.1)

Degree of accuracy II shall prevail.

PARTICULAR SPECIFICATIONS

PA TRIMMING OF SITE

PA1 SCOPE

This work shall consist of the finishing of the entire site affected by the Contractor's operations before the issue of the Completion Certificate.

PA2 REQUIREMENTS

After completion of the work covered by this Contract, the entire area affected by the Contractor's operations shall be finished off and cleared up and all loose rock shall be removed, if required, and disposed of as directed by the Engineer.

Under no circumstances shall the Contractor use machines for trimming.

All loose stones, roots or other waste matter exposed on fill or excavation slopes, which are liable to become loosened shall be removed and all debris and muck from clearing operations shall be disposed of and the area affected by the Contractor's operations and all camp sites left in a neat and presentable manner.

All false work, temporary supports and structures, casting yards or platforms and equipment shall be removed from the site and from all ground occupied by the Contractor in connection with the work. All parts of the work and adjacent ground shall be left in a neat and presentable condition, all to the satisfaction of the Engineer.

PA3 MEASUREMENT AND PAYMENT

Measurement and payment for complying with the above requirements will not be made separately, and would be regarded as being provided for in full by relevant payment items under 1200 A - General.

PB BUILDING WORK

PB1 SCOPE

This section of the Specifications deals specifically with all the building work associated with the Works.

Concrete work, steelwork, cladding, pipe laying, mechanical and electrical equipment, etc. forming part of or to be housed in a building erected in terms of this specification shall conform to the requirements of the relevant standardized or particular specifications referred to in the Project Specification.

PB2 INTERPRETATIONS

The relevant SABS 1200 Standardized Specifications such as Site Clearance, Earthworks, Earthworks (pipe trenches), Concrete (structural), Low pressure pipelines, Bedding (pipes), Sewers and Storm water drainage shall also apply to the work under this section.

PB3 **MATERIALS**

All materials used for the Building Work shall, where such mark has been awarded for a specific type of material, bear the SABS mark.

PB3.1 **Brick and Plasterwork**

Cement, sand and water shall conform to the requirements of SABS 1200 G - Concrete.

Unless otherwise described, cement mortar shall be composed of six parts by volume of sand to one part by volume of cement. The materials are to be mixed dry until the mixture is of a uniform colour and then clean water is to be added gradually through a fine rose and the mixture turned over until the ingredients are thoroughly incorporated.

Cement mortar must be mixed in small quantities and must be used within one hour of mixing, as the use of cement mortar that has commenced to set will not be permitted.

Plaster on concrete ceilings, beams, columns etc. shall be mixed one part cement to three parts sand.

Bricks shall be of the best quality sound hard burnt pressed bricks or in the absence of clay bricks, concrete bricks; even in size and shape and equal to a sample submitted to and approved by the Engineer prior to commencement of work.

Clay bricks shall conform with the requirements of SABS 227 and concrete bricks to SABS 987.

Damp proof courses, unless otherwise described, shall be an asphaltic damp proof course with a base of fibre felt, and complying with the requirements of SABS 248 Horizontal Damp Proof Courses, and with a mass of 3, 25 kg/m² or a plastic damp proof course of 15 micron thickness as Type B, complying with the requirements of SABS 952.

PB3.3 **Paintwork****PB3.3.1** **Primers**

Plastered surfaces must be cleaned down and have one coat alkali resisting primer of an approved brand applied in strict accordance with the manufacturer's instructions, before any undercoats are applied.

Galvanised metal surfaces must be treated with one coat Metal Etch Primer complying with the requirements of SABS 723.

Steel surfaces must be treated with one coat Type Zinc Chromate Primer complying with the requirements of SABS 679.

Steel windows and doors and steel door frames, before being built in, must have all loose primer together with all rust spots, dirt, etc. removed and be treated with one coat red oxide or zinc chromate primer complying with the requirements of SABS 909.

Wood surfaces to receive paint finish must be cleaned down, all knots treated with knotting and be primed with Type I Wood Primer externally and Type III Wood Primer internally, both complying with the requirements of SABS 678.

PB3.3.2 **Paints**

Emulsion paint for interior use must be Grade I Emulsion Paint complying with the requirements of SABS 663. Emulsion paint for exterior use must be of the Synthetic Polymer Base Type complying with the requirements of SABS 634.

High Gloss Enamel Paint Shall be used on all surfaces other than specified above. High Gloss enamel paint must be Grade I paint complying with the requirements of SABS 630 for decorative High Gloss Enamel Paints with a Non-Aqueous Solvent Base, for Interior and Exterior use.

Undercoats for paints, except Emulsion paints, must be Type I undercoat Paint complying with the requirements of SABS 681.

PB3.4 Doors, Windows and Glazing

PB3.4.1 Doors

Unless indicated otherwise on drawings, all doors and door frames shall be of solid hardwood. Frames shall be fitted with suitable tie bars and braces at bottom, and lugs for building in, three to each jamb of frames without fanlights and four to each jamb of frames with fanlights. All doors shall be provided with locks to the requirements of SABS 4 and each lock shall be provided with a duplicate key.

PB3.4.2 Windows

Steel windows must be of approved manufacture and design, constructed of rolled mild steel sections, properly mitred and welded at angles with welding cleaned off smooth on all faces and complying with the requirements of SABS 727. Window types and sizes shall be as specified on the drawings.

PB3.4.3 Glazing

Sheeting glass for glazing, unless otherwise specified, must be flat drawn clear glass of the thicknesses indicated below:

For panes not exceeding 0, 65 m² : 3 mm
 For panes exceeding 0, 65 m² and not exceeding 1, 5 m² : 4 mm

PB3.5 Tiling

PB3.5.1 Adhesives and Grouts

a) Wall Adhesive

A grey, cement-based thin bed, wall tile powder adhesive for fixing tiles to walls mixed with a bonding agent such as 'Tylon - Bond It'.

b) Floor Adhesive

A grey, cement-based thick bed, floor tile powder adhesive for fixing heavy tiles to floors or walls.

c) Wall grout

A cement-based, plasticized grouting compound for wall tile installation.

d) Bonding Agent

A latex modified for use with adhesives and grouts to improve water resistance.

e) Silicone sealant

A silicone-based sealant of nearest approximate colour to tile, used to seal the corners of permanently wet areas and expansion joints (made at consistent interval positions) on large tiled surfaces.

PB3.5.2 Tiles

Tiles shall be of first grade quality glazed ceramic tiles, white in colour, a maximum size of 160 mm square, of a maximum thickness of 5 mm, unless otherwise specified.

PB4 **PLANT**

Plant, equipment, tools, scaffolding, etc. utilised in building work shall be of suitable capacity, condition and design to ensure the satisfactory and timeous completion of the Works within the specified period and in terms of these specifications and good building practices.

Only registered artisans (e.g. plumbers, electricians, etc.) shall be employed on any work where this is compulsory building practice.

PB5 **CONSTRUCTION****PB5.1** **Brick- and Plasterwork**PB5.1.1 Normal Brick Walls

Brickwork must be built in stretcher bond. No false headers are to be used and none but whole bricks except where legitimately required to form bond. The bricks are to be well wetted (sutured in hot weather) with water before being laid and the course of bricks last laid is to be well wetted before bedding fresh bricks upon it. All perpend and angles are to be kept plumb. The brickwork is to have the joints flushed up at every course solid throughout the whole width of the course, and each course is to be laid on a solid bed of mortar. Pointing is to be done as the work proceeds.

The joints of all walls to be plastered are to be raked out 15 mm as the work proceeds to form a key for plaster or screed. All walls are to be built up in regular and horizontal courses and carried out so that no part built is more than 1, 2 m higher than any adjoining walls. Mortar beds generally are not to exceed 12 mm thickness.

PB5.1.2 Face brick walls

In all faced brickwork the bond must be set out on the first level course of brickwork, at floor level internally and two courses below ground level externally. The bond, if necessary, is to be broken in the centre of panels under windows or to piers between windows. All perpend must be kept true and all courses must be built to gauge rods. Facings must be carefully protected from damage, mortar droppings, paint splashes, etc. during the whole period of the Contract and, on completion, they must be thoroughly cleaned down and left perfect. The practice of oiling facings on completion will not be allowed.

PB5.1.3 Reinforced Brick Lintels

Brick lintels are to be built of normal, sound, well burnt, good quality building bricks, similar to the facings where exposed, properly bonded longitudinally and bedded and pointed in cement mortar as described. Special care must be taken to ensure solid bedding, particularly where the reinforcement occurs.

The lintels are to be reinforced with straight continuous mild steel rods of the size and number scheduled. The rods must each extend 300 mm on each side of the opening and are to be evenly spaced across its thickness in the first horizontal joint above the soffit.

Brick lintels in cavity walls must have all rods placed below the solid sections of the walls, excepting for those rods specifically scheduled to occur below the cavity.

Where two or more openings are less than 665 mm apart, the lintel shall be continuous over all such openings and the dividing piers, plus 300 mm bearing at each extreme end as before, shall have such height and reinforcement as scheduled for widest opening spanned.

Span in mm	Min. height of lintels above soffit course, in brick courses	Reinforcement per half brick thickness of wall above for solid walls	
		No. of Rods	Dia. (mm)
600	2	1	6
900	3	2	6
1200	3	2	6
1500	4	3	6
1800	4	3	6
2400	6	3	6

In addition to any reinforcing specified in the table above one layer of brick reinforcing shall be placed at every alternate brick course above the lintel. The brick reinforcing thus placed shall extend at least 300 mm on each side of the opening.

All brick lintels are to be supported by two 114 x 38 timber bearers (on edge) for a duration of 7 days. Extreme care shall be taken beforehand to ensure a level and straight support.

PB5.1.4

Damp proof courses

The sheeting is to be cut into strips of the required width and laid on all foundation walls to the full thickness of the walls and without any longitudinal joints. At ends, angles and intersections the sheeting must be lapped 150 mm and sealed.

Under all window sills exposed to the weather, the sheeting must be laid on the brickwork in the first joint immediately below the sill and turned up with an easy bend and tucked into window frame.

Over reinforced brick lintels exposed to the weather, the sheeting must be laid to form damp proof course as detailed above for solid walls and cavity walls.

PB5.1.5

Reinforcing in Brick walls

Reinforcing (brick force) of an approved manufacture shall be placed on every fourth course in all brick walls. In half brick and cavity walls 80 mm wide reinforcing mesh shall be used and 150 mm wide mesh in the case of the one-brick walls.

PB5.1.6

Plaster work

All chases must be cut and electrical conducting and boxes fixed before any plastering is done. On no account will chasing be allowed in finished plaster work, and if such chasing is necessary, the entire wall surface must be hacked off and re-plastered.

Except where otherwise described, all external plaster is to be finished with a wooden float and all internal plaster is to be finished with steel trowel, all too perfectly true and even surfaces, free from tool marks and other defects on completion.

All finished surfaces are to be protected from injury. All joints in brickwork are to be well raked out, all surfaces, brickwork and concrete, to be plastered must be brushed down to remove all dirt and dust and be thoroughly wetted directly before plastering. Concrete surfaces must be roughened or hacked as necessary to give a proper key for plaster. The surfaces must then be slashed with coarse cement grout before plastering is commenced. The surfaces of all internal plaster must be steel troweled to a smooth even and true finish. External plaster must be finished to a true and even surface with wood float. Plaster must be returned into reveals and soffit of openings and all angles and edges must be true and straight. All plaster surfaces must be free from blemish and any cracks, blisters, or other defects must be cut out and made good and the whole left perfect at completion. Plaster on walls must be not less than 12 mm or more than 20 mm in thickness, and plaster on concrete work must be not less than 10 mm or more than 15 mm in thickness, except where specifically otherwise described.

PB5.1.7 Slip joints

Slip joints shall be provided between brickwork and concrete slabs and beams by levelling up and steel trowelling smooth the bearing surfaces of brickwork with 3:1 mortar and covering the bearing surface before concrete is cast with 2 layers of 0,500 mm (five hundred micron) black general purpose sheeting membrane.

The ends and sides of beams and edges of concrete slabs shall be separated from the brickwork with 12 mm polystyrene placed vertically against the brickwork before the concrete is cast.

PB5.1.8 Beam filling

Unless otherwise specified, beam filling shall be half brick thick, built in cement mortar, cut in between roof timbers and carried hard up to underside of roof covering and flushed up in mortar with a groove formed between covering and mortar. Care shall be taken to protect cladded surfaces from mortar, prior to beam filling.

PB5.3 Paintwork

All surfaces not being painted, such as face brickwork, sills, floors and stained woodwork, must be covered up and protected against paint and distemper sports before any painting is commenced. All floors must be swept clean and walls dusted down before any paintwork is commenced and no sweeping or dusting must be done while painting is in progress.

All plastered wall; ceiling and similar surfaces must be perfectly dry and in a fit state to receive the finishing's, before the work is put in hand.

All coats of paints, etc. must be thoroughly dry before subsequent coats are applied, and rubbed down where necessary.

All work must be finished to colours approved by the Engineer.

The tints of undercoats must approximate those of the finishing colour and in order to indicate the number of coats applied and to avoid misses when applying a succeeding coat a slight difference shall be made in the tint of each coat.

The Contractor must provide all necessary dust sheets, covers, etc., and shall exercise all necessary care to prevent marking the surfaces of joinery, walls, floors, glass, electrical fittings, etc., and must keep all parts of the works perfectly clean and free at all times from spotting, accumulation of rubbish, debris or dirt arising from the painting operations. Any surface disfigured or otherwise damaged must be completely renovated or replaced as necessary, by the Contractor at his own expense. The premises must be left clean and fit for occupation at the completion of the work.

PB5.4 Floor and roof slab Finishes

Where a floated concrete floor finish is specified on the drawings, the requirements of SABS 1200G or GA, whichever is relevant, shall apply.

Floor and roof slabs shall be constructed to line and level as indicated on the drawings.

PB6 TOLERANCES

Where tolerances are not specified in the clauses above those generally accepted as re-presenting good workmanship in the building trades shall apply.

PB7 TESTING

The Engineer reserves the right to order any tests, whether at place of manufacture or on site, necessary to evaluate the quality of the work and to ensure the finished building conforms to all the specified requirements.

PB8 **FEATURES REQUIRING SPECIAL ATTENTION****PB8.1** **Formed openings in brickwork**

All formed openings in brickwork shall be plastered on all faces internal to the opening, true to line and level with finished minimum internal dimensions as indicated on the plans.

PB9 **MEASUREMENT AND PAYMENT****PB9.1** **Schedule Items**PB9.1.1 **Brickwork**

Brickwork, if measured as a separate item, shall be measured in square metre of the nett brick-walled area (with the wall width and type of brick-finish, indicated). No deductions will be made for small openings such as air bricks, etc. The tendered price per square metre of brickwork shall include also for the following:

- a) Brick forcing (every fourth layer)
- b) Reinforcing of lintels
- c) Miscellaneous items built into brickwork shown on the drawings such as air bricks.

PB9.1.2 **Wall, ceiling, roof and floor finishes**

Cement plaster on walls and ceilings, roof screeds, floor screeds, paint and any other finish described or specified, shall if measured as separate item be measured in square metre of the nett surface area. No deductions shall be made for small openings nor shall additions be made for small protrusions and reveals. No separate payment shall be made for the processes involved and material supplied for the complete painting of all fixtures and fittings, as specified herein and the costs thereof shall be included in the tendered price for the supply, manufacturing and erection of all such items to be erected.

PB9.1.3 **Miscellaneous**

- a) Doors and windows shall be measured per unit of door or window complete with door frame, lock keys, glazing, painting, etc., for each type and size of door or window or as a lump sum payment for all doors and windows included in the door and window schedule of the Works.

Rates tendered for doors and windows shall included for the burglar proofing there off. Burglar proofing shall be welded unto the steel frame of all windows and doors. The minimum thickness of any solid burglar proofing bar shall be 12 mm and the minimum thickness of any tubing member shall be at least 2.5 mm.

- b) Other items of building work, fixtures and fittings, shall be measured and paid for in the units of measurement listed in the Schedule of Quantities.

The tendered rate shall be for the supply, erection/construction and commissioning of the item. The rates shall include for all plant, material, labour and other related costs.

PB9.1.4 **Services**

- a) Reticulation of services shall be measured per lump sum. The tendered rate for the specified service shall include for the supply, erection/construction, installation and commissioning of the services/system as indicated on the drawings. The tendered rate shall include for all fittings, specials, etc. The rates shall include for all plant, material, labour and other related costs.

The distribution board shall have ample capacity to be extended for future extensions to the electrical reticulation of the building. The distribution board shall have an additional 50 A circuit breaker to cater for the connection of the luminaire lighting system to be installed by on a nominated sub-contract.

- b) The installation of the luminaire lighting system in the hall area shall be done by a specialist nominated sub-contractor.
- c) The lump sum tendered under for the connection of services shall include all costs incurred for the installation and commissioning of the mentioned services under this item. The tendered lump sum shall include for all fees and duties payable to the Local Authority/Council or Bulk Service Provider for the application and connection of the service to the municipal service network. All connections to the municipal service network shall be to the specification and regulation of the relevant Local Authority.

PE **CONTINGENCIES**

PE1 **CONTINGENCIES**

An amount to be spent in part or in whole at the complete discretion of the Engineer. This amount shall not form part of the 15% as is defined in Clause 53 of the General Conditions of Contract.

PF **FENCING**

PF1 **SCOPE**

This sub-section includes all work in connection with the erection of stock proof, vermin proof, residential or security fencing as shown on the drawings or as directed by the Engineer. It also includes any work necessary on the lifting and re-erecting of existing fences. The standard of fencing, the positioning of the gates and the quantities shown in the Schedule of Quantities against each item under this section, may be subject to variation and the Contractor shall ascertain, from the Engineer, the exact location of, and specification to which the fencing shall be constructed, before placing any orders for material. The minimum standards of fencing required are indicated on the drawings.

PF2 **MATERIALS**

PF2.1 **Security Fencing**

All posts, standards and droppers for security fencing shall be either galvanised or painted steel sections to the dimensions and details indicated on the drawings. Plain and diamond wire and other fencing materials shall all be according to the details indicated on the drawings.

PF2.2 **Gates**

All gates shall be to the details indicated on the drawings and components shall either be galvanised or painted according to the specifications on the drawings.

PF2.3 **Bolts**

Bolts shall be galvanised steel bolts of the required length and diameter which shall not be less than 12mm. Eyebolts to gates of 16mm diameter. All the necessary bolts together with nuts and washers shall be supplied with each post or gate.

PF3 **CONSTRUCTION**

PF3.1 **Clearing of Fence Site**

All brush scrub and other obstructions which may interfere with the proper construction of the fences shall be removed and surface irregularities shall be graded so that the fence will conform to

the general contour of the ground.

No separate payment will be made for such clearing.

PF3.2 Connections

Existing cross fences shall be connected to the new fences. Straining posts with stays for every direction of strain shall be placed at the junction with existing fences and the wires in both fences properly fastened to the posts.

PF3.3 Placing of Posts

All posts, struts and standards shall be firmly planted into the natural ground, be it soil, gravel or rock, to the depths detailed. Gate posts and struts shall be erected at all gates and straining posts and struts shall be erected at all ends and corners or bends in the line of the fence and at all junctions with other fences. Intermediate straining posts and struts, and standards shall be spaced at the intervals indicated on the drawings.

All posts (excepting struts), standards and droppers shall be placed in a vertical position except in unusual locations where, in the opinion of the Engineer, it will be more satisfactory to place such member perpendicular to the slope of the ground. All posts, struts, standards and droppers shall be set in holes dug to the specified depth even in rock where blasting might be necessary to obtain the required depth. All gate posts shall be set in concrete and other members shall either be set in concrete or in well compacted backfill as indicated on the drawings. No concreting or backfilling shall be done until all members have been properly aligned. All posts and struts for security fencing shall be set in concrete as shown on the drawings. Steel members, not required to be set in concrete, may be driven into the ground provided such members are not buckled or otherwise damaged after being driven in, and provided further that correct alignment of the driven members is maintained.

PF3.4 Attaching Wire

After all posts, struts and standards have been set firmly and after all concrete has hardened for at least four days the fence wire shall be attached according to the details indicated on the drawings. **All wire shall be attached to the sides of the posts and standards furthest from the object being fenced.** Wire shall be carefully stretched and strung in true alignment and without sag. Wire shall be attached to each post and standard by one of the following methods:

- a) by drilling holes through the member and strapping the wire with plain iron staples passing completely through the member, or
- b) where iron members are used, by securing the wire by means of binding wire which must pass through the hole in the standard.

PF3.5 Attaching Wire Netting or Diamond Mesh

Wire netting and diamond mesh covering shall be securely fixed to the fence according to the details on the drawings.

PF3.6 Installing Gates

Gates shall be installed in the position indicated by the Engineer. The gates shall be erected so as to swing in a horizontal plane at right angles to gate post clear of the ground in all positions.

PF4 FINISHING, TRIMMING AND PAINTING

All un-galvanised metal components of fencing shall be painted according to the specifications on the drawings. After the fencing has been erected, any chipped or damaged paint work shall be touched up according to the same paint specifications.

PF5 TOLERANCES

Fence: Maximum permissible deviation from horizontal alignment: ± 25 mm relative to a straight line measured at a level 100mm above natural ground level between corner posts.

Maximum permissible deviation from vertical alignment for corner posts: plus 25mm, minus zero off vertical. Positive notation applies to the sides of posts furthest from the object being fenced.

Gate Posts shall be constructed plumb to a tolerance of ± 3 mm off vertical.

Intermediate posts and standards shall be constructed to a tolerance of +10mm minus zero off vertical. Positive notation applies to the sides of posts furthest from the object being fenced.

PF6 REMOVAL OF EXISTING SECURING FENCING

The existing security fencing surround for the hospital terrain and other localities are not functional at present and shall be rehabilitated, removed and replaced partly or per element, all as prescribed here following:

- a) Existing straining posts with struts shall be retained and repainted except where instructed by the Engineer to be removed.
- b) The following elements of the existing fence shall be removed, where after the site shall be cleared as specified in PF3.1:
 - i) Attached mesh wire and fencing wires
 - ii) Standards
 - iii) Gate posts and corner posts with struts and where instructed, straining posts: All complete with struts and concrete bases
 - iv) Gates
- c) All standards in good condition shall be repainted and re-used.
- e) All posts and struts, gates and fencing wire shall be removed from site and provision has been made in the Schedule of Quantities Summary, for credit for these materials.

PF7 MEASUREMENT AND PAYMENT

PF7.1 Security Fencing

This fencing shall be measured in metres between gate and end posts along the general slope of the ground. Payment shall include full compensation for the clearing of the line, for the supply and erection of plain wire, barbed wire, binding wire and all other components on the drawings but shall specifically exclude corner, end and gate posts and their stays, intermediate posts and standards.

PF7.2 Corner, Bends, Ends and Intermediate Posts

Corners, bends, ends and intermediate posts shall be measured by the number and shall include compensation for the supply, painting and erection of all posts and stays required at such ends, corners or bends and shall also include for any concreting where so specified.

PF7.3 Gates

Gates shall be measured by the number. A double gate as required for security fencing shall be measured as one number double gate. Payment shall include full compensation for the supply, painting and erection of the gate and ancillary components, as well as for the supply, painting and erection of gate posts and struts and for the concreting of such posts and struts (where required).

PF7.4 Pay Items

1.	Vermin proof Fencing	m
2.	Stock proof Fencing	m
3.	Residential Fencing	m
4.	Security Fencing	m

5.	Corners, bends and ends and intermediate posts (shall distinguish between the different types of fencing)	no
6.	Gates (shall distinguish between the different types of fencing and between the different types and widths of gates)	no
7.	<u>Standards:</u>	
7.1	Removal of existing, repaint and reinstallation	no
7.2	New standards supplied and installed	no
8.	Removal of corner posts, gate posts & straining posts	no
9.	Removal of fence	m
10.	Repainting of existing straining posts	no

POHAS **OCCUPATIONAL HEALTH AND SAFETY**

POHAS1 **SCOPE**

This specification details the health and safety requirements associated with the Works.

This specification is drawn up in accordance with the Construction Regulations. This specification must be read in conjunction with the following sections of this document:

- i) Part C : Contract Data
- ii) Part D1 : Scope of Work
- iii) Part D2 : Site Information, prior to attempting to identify and detail the hazards relative to the specific Works.

POHAS2 **INTERPRETATIONS**

POHAS2.1 **Legislation and Regulations**

The following legislation is applicable:

- a) Occupational Health and Safety Act, Act 85 of 1993 (hereinafter referred to as “the Act”),
- b) Construction Regulations promulgated on 18 July 2003 and incorporated into the said Act by Government Notice R. 1010, published in Government Gazette 25207, (hereinafter referred to as “the Regulations”).

POHAS2.2 **Definitions**

- a) Construction work is defined as:
 - “Any work in connection with: -
 - the erection, maintenance, alteration, renovation, repair, demolition or dismantling of or addition to a building or any similar structure;
 - the installation, erection, dismantling or maintenance of a fixed plant where such work includes the risk of a person falling;
 - the construction, maintenance, demolition or dismantling of any bridge, dam, canal, road, railway, runway, sewer or water reticulation system or any similar civil engineering structure; or
 - the moving of earth, clearing of land, the making of an excavation, piling, or any similar type of work”.
- b) The “Contractor” is defined as an employer who performs construction work and includes the principal contractor and his sub-contractors.
- c) The “Employer” means any person, institution or company for whom construction work is performed.
- d) The “Agent” means any person who acts as a representative of the Employer.

POHAS3 **GENERAL**

POHAS3.1 The Contractor shall ensure that all work is executed in accordance with work procedures, which

comply to accepted safety practices with the Act and the Regulations.

POHAS3.2 The Employer will appoint the Contractor in writing for execution of the Works. The Contractor shall accept its appointment under the terms and Conditions of Contract. The Contractor shall sign and agree to those terms and conditions and shall, before commencing work, notify the Department of Labour in writing of the intended construction work in terms of Regulation 3 of the Regulations.

POHAS3.3 The Contractor shall not engage in any construction work until confirmation has been received in writing on behalf of the Employer that the Contractor's health and safety plan is deemed suitable.

POHAS3.4 The Contractor shall inform the Engineer in writing of the name and address of the Contractor's construction safety officer (CSO) and of any subsequent changes in the name and address of the officer, together with the scope and limitations of the CSO's authority to act for the Contractor. The Contractor's CSO shall make available to the Employer an all-hours telephone number at which the CSO can be contacted at any time in the event of an emergency involving any of the Contractor's employees, or other persons at the Works.

POHAS3.5 The location of the Works specific to this Contract is clearly described in the Scope of Work, forming Portion 2, Part 3 of this document.

The Contractor shall, in preparation of his Health and Safety Plan, familiarise himself with emergency services in the location of the Works and with the local infrastructure, e.g. clinics, hospitals, police services, ambulance services, fire protection services and disaster management centres, to such extent that he is conversant with these, should the need therefor arise.

Telephone numbers of all emergency services to be permanently displayed at the site camp, in a convenient and prominent position, wherever possible, close to a telephone.

POHAS3.6 Should the Contractor at any stage in execution of the Works -

- a) fail to implement or maintain his health and safety plan;
- b) execute construction work which is not in accordance with his health and safety plan; or
- (c) act in any way which may pose a threat to the health and safety of persons,

the Employer, his Agent or the Engineer will, by written order, suspend the progress of the Works. The Contractor shall, during such suspension, properly protect the Works so far as is necessary.

POHAS3.7 The Contractor shall provide proof of his registration and good standing with the Compensation Fund, or with a licensed compensation insurer, prior to commencement with the Works.

POHAS3.8 The Contractor shall, in submitting his tender, demonstrate that he has made provision for the cost of compliance with the specified health and safety requirements, the Act and the Construction Regulations, all in terms of sub-clause 4(1)h of the Construction Regulations. The costs of compliance shall clearly be demonstrated separately under the appropriate items of measurement, both under "fixed charge items" and "time related items".

POHAS3.9 The Contractor shall consistently demonstrate his competence and adequacy of resources to perform the duties imposed on the Contractor in terms of this Specification, the Act and the Construction Regulations.

POHAS3.10 The Contractor shall, throughout execution of the Contract, ensure that all conditions imposed on his sub-contractors in terms of the Act and the Construction Regulations are complied with, as if they were the Contractor.

POHAS4 GENERAL REQUIREMENTS

POHAS4.1 Health and Safety Plan

The Contractor shall provide and demonstrate to the Employer a suitable and sufficiently documented health and safety plan, in compliance with the Act and the Regulations, which shall be

applied from the date of commencement of and for the duration of execution of the Works.

- a) The Contractor's health and safety plan shall include the following principles:
 - i) A Health and Safety Policy authorised by the Contractor's executive corps that clearly states overall health and safety objectives and commitment to improving health and safety performance.
 - ii) A proper risk assessment of the construction work.
 - iii) Pro-active identification of potential hazards and unsafe working conditions.
 - iv) Informing and/or training of employees working in hazardous and risk areas.
 - v) Provision of a safe working environment and safety equipment.
 - vi) Ensure the safety of sub-contractors through their safety plans.
 - vii) Monitoring health and safety on the construction works on a regular basis.
 - viii) Use of competent construction safety officers.

- b) The Contractor's health and safety plan should cover the following detail:
 - i) Health and Safety Policy.
 - ii) Indication of competent supervision on site.
 - iii) Competencies of persons (scaffold supervisors, first aiders, etc.)
 - iv) Duties and responsibilities of all appointed persons on the project.
 - v) Indication of condition and availability of high-risk equipment, tools & equipment.
 - vi) Monitoring mechanisms.
 - vii) Risk assessments of hazards identified.
 - viii) Arrangements for continuous risk assessments on the project.
 - ix) Medical and first aid arrangements.
 - x) Emergency preparedness arrangements.
 - xi) Accident/ incident reporting and investigation arrangements.
 - xii) Personal protective equipment arrangements.
 - xiii) Site health and safety meeting arrangements.
 - xiv) Audit arrangements.
 - xv) Selection, procurement & management of other contractors.
 - xvi) Maintenance arrangements of machinery and equipment.
 - xvii) Designer/Engineer interaction arrangements.
 - xviii) Workers welfare facilities.
 - xix) Induction arrangements.
 - xx) Training arrangements.
 - xxi) Performance review and improvements on the project.
 - xxii) Past health and safety performance statistics of the Contractor.

POHAS4.2 Health and Safety File

- a) The Contractor shall ensure that a health and safety file, which shall include all documentation required in terms of the provisions of this specification, the Act and the Regulations, is opened and kept on site and made available to the Employer or inspector upon request.
- b) The Contractor's health and safety file should inter alia cover the following detail:
 - i) A copy of the health and safety plan.
 - ii) All inspection reports as indicated in POHAS4.4.
 - iii) Accident and incident reports.
 - iv) Minutes of monthly health and safety meetings.
 - v) Contact details of the CSO.
 - vi) Inventory of safety and first aid equipment.
 - vii) Method statements and procedures not included in the health and safety plan.
 - viii) Continuous risk assessments on the project.
 - ix) Toxic and hazardous material data sheets.
- c) Upon completion of the Works, the Contractor shall hand over a consolidated health and safety file to the Employer.

POHAS4.3 Appointments

POHAS4.3.1 Construction Supervisor (CS)

The Contractor shall in writing appoint a full time competent employee as the construction supervisor, with the duty of supervising construction of the Works.

POHAS4.3.2 Construction Safety Officer (CSO)

Before commencing with the Works, the Contractor shall designate in writing a competent construction safety officer who shall be acceptable to the Agent, to represent and act for the Contractor in health and safety related matters.

POHAS4.3.3 Other Appointments

The Contractor shall in writing appoint competent supervisors, suitable and accomplished, as identified in the health and safety plan.

POHAS4.4 Monitoring Mechanisms

Inspections as required by the Act must be conducted and the records thereof kept in the health and safety file.

POHAS4.4.1 Weekly inspections of first aid boxes.

POHAS4.4.2 Weekly inspections of ladders.

POHAS4.4.3 Weekly inspections of fire-fighting equipment.

POHAS4.4.4 Names and addresses of its employees who are registered as trained fire fighting personnel as well as a duty roster.

POHAS4.4.5 Monthly inspections of welding machines.

POHAS4.4.6 Monthly inspections of oxy-acetylene equipment.

POHAS4.4.7 Monthly inspections of builders' hoists.

POHAS4.4.8 Monthly inspections of mobile and tower cranes.

POHAS4.4.9 Monthly inspections of lifting gear.

POHAS4.4.10 Monthly inspections of electrical equipment.

POHAS4.4.11 Monthly tests of earth leakage units.

POHAS4.4.12 Inspections of formwork and support work on a routine basis as specified in POHAS5.1 (d).

POHAS4.5 First Aid

POHAS4.5.1 Safety Notice Board

The Contractor shall provide a safety notice board where safety notices, site regulations concerning safe working practices and information on the location of the nearest first aid station, can be conspicuously displayed to its entire staff. The size of the notice board shall be at least 600 mm x 800 mm.

POHAS4.5.2 First Aid Equipment

The Contractor shall provide a stretcher for emergencies and a first aid box with the minimum contents as prescribed by the General Safety Regulations as published by means of Government Notices.

The first aid box (es) shall be checked weekly by a responsible person, who shall be appointed by the Contractor and a record shall be kept of the contents. Any deficient medical supplies shall be promptly replenished by the Contractor.

POHAS4.5.3 Hazard Notices

The Contractor shall display hazard notices in all areas where hazardous conditions prevail or may occur. Areas so demarcated shall be deemed to be "designated areas".

POHAS4.5.4 Reporting of incidents and/or injuries

All incidents in respect of damage to Works, property or machinery or injury to persons shall be reported by the CSO or Site Representative to the Employer as soon as possible.

A mandatory incident report form, containing full details of the incident, shall be completed and submitted to the Employer within twenty four (24) hours of the occurrence of the incident.

The Employer shall have the right to make all or any enquiries as to the cause and result of any such incident. The Contractor shall provide the Employer with full facilities for carrying out such enquiries.

POHAS4.6 Good Housekeeping

The Contractor shall at all-time carry out the Works in a manner to avoid the risk of bodily harm to persons or risk of damage to any property. The Contractor shall take all precautions, which are necessary and adequate to eliminate any conditions, which contribute to the risk of injury to persons or damage to property. The Contractor shall continuously inspect all work, materials and equipment to discover and determine any such conditions and shall be solely responsible for the discovery, determination and elimination of such conditions.

The Contractor shall keep the construction site neat and tidy and shall dispose of all waste material in an orderly manner. All materials and equipment on the construction site shall be stored neatly and safely.

POHAS4.7 Personal Protective Clothing

The Contractor shall provide the necessary personal protective clothing for his employees in hazardous areas, appropriate to the nature of the hazard.

POHAS4.7.1 Hard Hats

All employees of the Contractor shall wear hard hats in designated areas. The Contractor shall keep enough hard hats available, of a contrasting colour to that of his employees, for the use of visitors to the Works. Hard hats shall not be painted or otherwise defaced.

POHAS4.7.2 Eye & Ear Protection

Suitable eye and/or ear protection shall be worn in designated areas or when grinding, chipping, breaking, drilling, arc-welding, cutting with oxy-acetylene equipment or similar activities are taking place.

POHAS4.7.3 Footwear

All employees of the Contractor shall wear serviceable, laced-up safety footwear suitable for the intended purpose in designated areas.

POHAS4.7.4 Gloves

All employees of the Contractor shall wear suitable protective gloves in designated areas or when handling hot or hazardous materials or chemicals.

POHAS4.7.5 Clothing

All employees of the Contractor shall wear suitable protective clothing when working in proximity of machinery, power tools, hazardous materials or chemicals. Reflective vests shall be worn when working in or close to areas where traffic or movement of vehicles, earth moving equipment and poor visibility occur. Persons working over an accumulation of water.

POHAS4.8 Road Traffic and Transportation

- POHAS4.8.1 The Contractor shall ensure that vehicles are maintained in a roadworthy condition.
- POHAS4.8.2 The Contractor shall ensure that drivers of vehicles are in possession of an appropriate and valid driver's licence.
- POHAS4.8.3 The Contractor shall not permit any driver to be in control of a vehicle on the Works while under the influence of intoxicating liquor or narcotic drugs.
- POHAS4.8.4 All vehicles of the Contractor shall display a name board bearing the Contractor's name. Hired vehicles shall bear an identifying sticker.

POHAS4.9 Overhead Power lines

Regulations of the electricity supply authority in connection with prohibition of operations in the vicinity of overhead power lines shall be complied with by the Contractor at all times.

POHAS4.10 Machinery, Tools and Equipment

The Contractor shall ensure that all machinery, tools and equipment are safe to use and maintained in a good condition. All tools and machinery driven by electrical, mechanical or other means shall be adequately guarded. All machinery, tools and equipment are to be regularly inspected and such registers are to be kept on site.

POHAS4.11 Welfare Facilities

- POHAS4.11.1 The Contractor shall provide and maintain at or within reasonable access of the Works, the following clean facilities:
 - a) At least one(1) shower for every fifteen(15) workers of each gender.
 - b) At least one(1) sanitary facility for every thirty(30) workers of each gender.
 - c) Changing facilities for each gender, and
 - d) Sheltered eating areas.

POHAS5 SPECIAL REQUIREMENTS

POHAS5.1 Formwork and Support Work

The Contractor shall ensure that -

- a) all formwork and support work operations are carried out under the supervision of a competent person who has been appointed by the Contractor in writing for that purpose;
- b) all formwork and support work structures are adequately designed, erected, supported, braced and maintained so that they will be capable of supporting all anticipated vertical and lateral loads that may be applied to them and also that no loads are imposed onto the structure that the structure is not designed to withstand;
- c) the foundation conditions are and remain suitable to withstand the load caused by the formwork and support work structure and any imposed loads such that the formwork and support work structure are stable;
- d) all formwork and support work structures are inspected by a competent person, who has been appointed by the Contractor in writing for that purpose, immediately before, during

- and after the placement of concrete or any other imposed load and thereafter on a daily basis until the formwork and support work structure has been removed and the results have been recorded in a register, kept in the health and safety file;
- e) upon casting concrete, the support work or formwork structure should be left in place until the concrete has acquired sufficient strength to support safely, not only its own load, but also any imposed loads and not removed until authorisation has been given by the competent person contemplated in sub-paragraph (a).

POHAS5.2 Prevention of Uncontrolled Collapse

The Contractor shall ensure that -

- a) all reasonable practicable steps are taken to prevent the uncontrolled collapse of any new or existing structure or any part thereof, which may become unstable or is in a temporary state of weakness or instability due to the carrying out of construction work; and
- b) no structure or part of a structure is loaded in a manner that would render it unsafe.

POHAS5.3 Scaffolding

- (a) When using access scaffolding the Contractor shall ensure that such scaffolding, when used, complies with the safety standards incorporated for this purpose into the Regulations under section 44 of the Act.
- (b) The Contractor shall ensure that all scaffolding operations are carried out under the supervision of a competent person who has been appointed in writing and that all scaffold erectors, team leaders and inspectors are competent to carry out their work.
- (c) All scaffolding shall comply to SABS 085 "The design, erection, use and inspection of access scaffolding" of which a copy shall be kept in the health and safety file.

POHAS5.4 Safe Working Loads

The Contractor shall ensure that:

- a) the safe working loads of hoists, load-bearing beams and cranes are prominently displayed at all times;
- b) the safe working loads are not exceeded under any circumstances; and
- c) all lifting gear is marked with a unique identity number and recorded in a register kept in the health and safety file.

POHAS5.5 Commissioning Safety Precautions

The Contractor shall ensure that wherever repairs, adjustments or any other work are undertaken on any plant or machinery, the power supply is switched off, disconnected or the plant/machinery disengaged until the work or repairs have been completed.

POHAS5.6 Use and Storage of Toxic, Hazardous Chemical and Flammable Materials

- a) The Contractor shall take adequate safety precautions with the handling and storage of any toxic, hazardous chemicals and flammable materials.
- b) The Contractor shall provide suitable and adequate protective equipment when working in areas where toxic, hazardous chemicals and flammable materials are being used.
- c) The Contractor shall ensure that its employees have familiarised themselves with the toxic and hazardous material data sheets applicable as well as the location of fire fighting equipment, safety showers/baths and other washing facilities, prior to commencement of work.

POHAS5.7 Work on Elevated Positions

- a) Whenever persons are required to work in an elevated position, every possible and

- practicable means shall be adopted to provide such persons with effective safeguards;
- b) The Contractor shall stop all persons working on the erection of steelwork during periods of inclement weather or if the possibility of lightning strikes is present;
 - c) Safety belts shall be worn when working at an elevation of 2 metres or more;
 - d) Working on elevated positions shall only be carried out under the supervision of a competent person, appointed in writing by the Contractor;
 - e) Under no circumstances may safety belts be used as fall arrest equipment but only as a fall prevention device. Full body harnesses with appropriate arrest mechanisms are to be used for fall arrest purposes;
 - f) Lifelines are to be used with safety harnesses or safety belts when doing steel erection and other similar activities such that persons are not exposed to danger by continuously attaching and detaching the lanyards from the structure.

POHAS5.8 Excavations

- a) Digging or excavation operations may not commence without the written authorisation from the competent supervisor appointed by the Contractor in writing.
- b) Adequate precautions shall be taken by the Contractor to prevent slumping of excavations, as well as to prevent rocks and loose material falling onto workers.
- c) All excavations by the Contractor are to be clearly demarcated to prevent accidental access.
Solid barricading shall be used at areas where there is a fall hazard present (save for pipe trenches). Danger tape may only be used to make the solid barricading more visible.

POHAS5.9 Indemnity of Employer and His Agents

- a) The annexure to this Contract Document contains a declaration pertaining to the Health and Safety Plan which shall be duly completed and signed by the Tenderer.
A copy of the signed declaration shall be included in the Contractor's Health and Safety Plan.
- b) Any acceptance, approval, check, certificate, consent, examination, inspection, instruction, notice, observation, proposal, request, test or similar act by either the Employer or any of his Agents (including absence of disapproval) shall not relieve the Contractor from any responsibility he has under the Contract, the Act and the Construction Regulations, including responsibility for errors, omissions, discrepancies and non-compliances.

POHAS6 MEASUREMENT AND PAYMENT

The Contractor shall clearly demonstrate that he has indeed made provision for the cost of health and safety measures during the construction process, as required in terms of Sub-clause 4(1) (h) of the Construction Regulations (2003) proclaimed under section 43 of the Occupational Health and Safety Act. (Act No. 85 of 1993).

The tendered price shall include for compliance to the following legislation:

- Compensation for Occupational Injuries and Diseases Act, 130 of 1993;
 - Occupation Health and Safety Act, 85 of 1993 and Regulations promulgated there under;
- And
- Construction Regulations, 2003.

Differentiation shall be made in the Schedule of Quantities between the following two payment items:

- Establishment by the Contractor of facilities on site,
- And
- Operations and maintenance by the Contractor of facilities on site to ensure that all work is executed in accordance with above mentioned legislation and this Specification.

VHEMBE DISTRICT MUNICIPALITY

C4 Site Information

C4.1 LOCALITY MAP

C4.2 BID DRAWING

VHEMBE DISTRICT MUNICIPALITY

**WATER SUPPLY AND BULK WATER RETICULATION OF NGWENANI
THEMELI, NGULUMBI, NGOVHELA BACKSIDE, MADAMALALA,
PHINDULA, MAEMBENI AND MULEDZHI
PHASE 2D (NGWENANI THEMELI)**

C4 Site Information

C4.1 LOCALITY MAP

VHEMBE DISTRICT MUNICIPALITY



CONTRACT NUMBER: VDM/TECH/04/05/2026/01

**WATER SUPPLY AND BULK WATER RETICULATION OF NGWENANI THEMELI,
NGULUMBI, NGOVHELA BACKSIDE, MADAMALALA, PHINDULA, MAEMBENI AND
MULEDZHI
PHASE 2D (NGWENANI THEMELI)**

C4 SITE INFORMATION

C5.1

Contractor

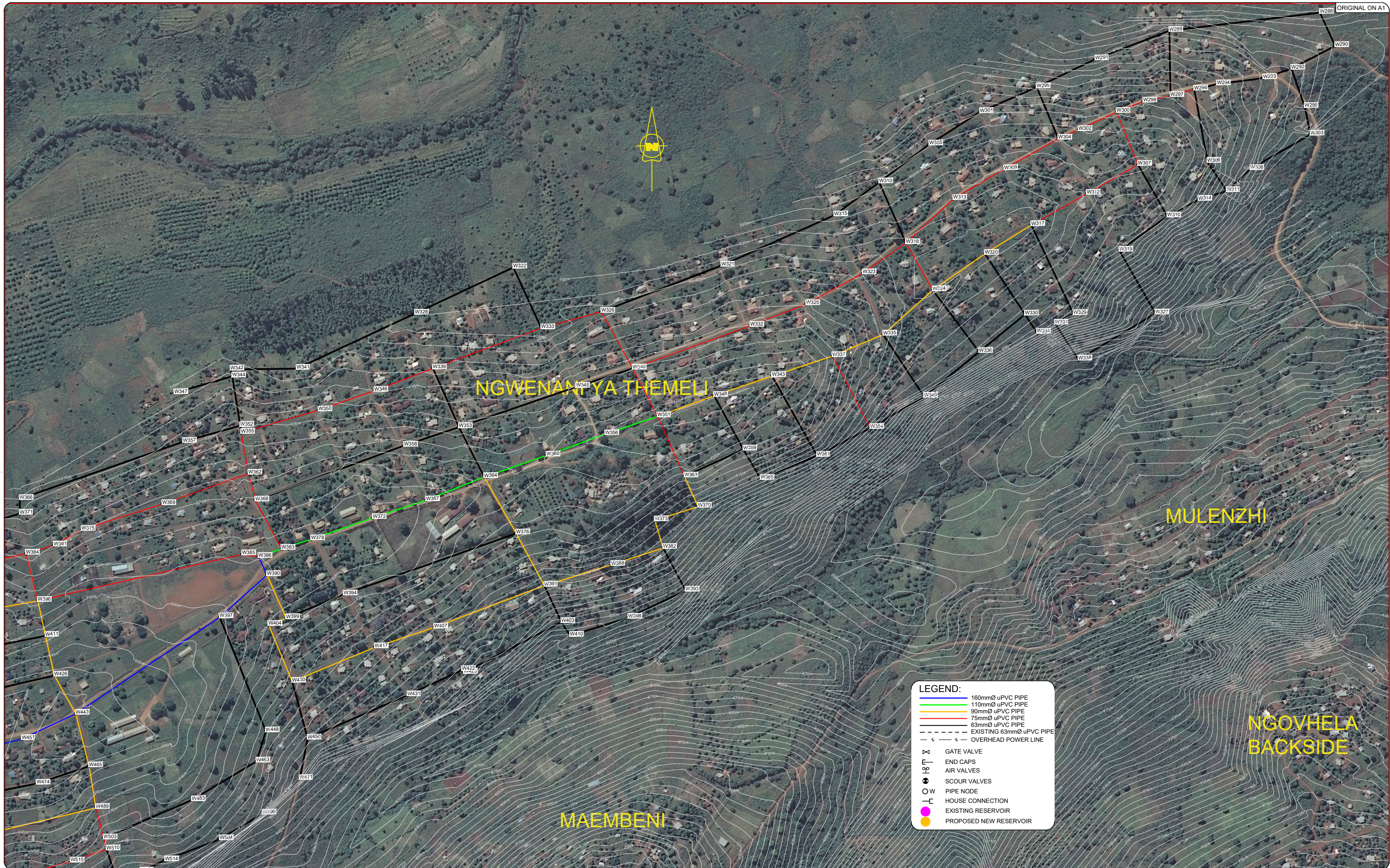
Witness 1

Witness 2

Employer

Witness 1

Witness 2



No	DATE	REVISION	CONSULT	DIR

DESIGNED BY	H.T.
CHECKED BY	H.T.
DRAWN BY	T.M.
CHECKED BY	H.T.

VHEMBE DISTRICT MUNICIPALITY



PRIVATE BAG X5006
THOHOYANDOU
0950
TEL. (015) 960 2000
FAX. (015) 962 1017

MORULA CONSULTING ENGINEERS



P. o. Box 2740
POLOKWANE
0700
CONSULTING ENGINEERS & PROJECT MANAGERS
"a new dawn"
TEL. (015) 296-4460
FAX. (015) 296-4103

.....VDM.....DATE.....
.....CONSULTING ENGINEER.....DATE.....

VHEMBE DISTRICT MUNICIPALITY PROJECT STATUS: TENDER

WATER SUPPLY-BULK AND RETICULATION UPGRADING OF NGWENANI THEMELI, NGULUMBI, NGOVHELA, MADAMALALA, PHINDULA, MAEMBANI AND MULEDZHI

NGULUMBI WATER RETICULATION LAYOUT PLAN (SHEET 2 OF 2)

(Full signature)	SHEET 2 OF 2
.....	SCALE 1:2500
DRAWING NUMBER MC/VDM/BRU/Lp07	REVISION ①

VHEMBE DISTRICT MUNICIPALITY



CONTRACT NUMBER: VDM/TECH/04/05/2026/01

**WATER SUPPLY AND BULK WATER RETICULATION OF NGWENANI THEMELI,
NGULUMBI, NGOVHELA BACKSIDE, MADAMALALA, PHINDULA, MAEMBENI AND
MULEDZHI
PHASE 2D (NGWENANI THEMELI)**

C5 DRAWINGS

C5.1

Contractor

Witness 1

Witness 2

Employer

Witness 1

Witness 2



VHEMBE DISTRICT MUNICIPALITY

CONTRACT No:

FOR

**WATER SUPPLY-BULK AND RETICULATION UPGRADING OF
NGWENANI THEMET, NGULUMBI, NGOVHELA, MADAMALALA,
PHINDULA, MAEMBANI AND MULEDZHI PHASE 2**



TENDER DRAWINGS

JUNE 2026

ISSUED TO:

VHEMBE DISTRICT MUNICIPALITY
Private Bag X 5006
THOHOYANDOU
0950

TEL. (015) 960-2000
FAX. (015) 962-1017

ISSUED BY:

MORULA CONSULTING ENGINEERS

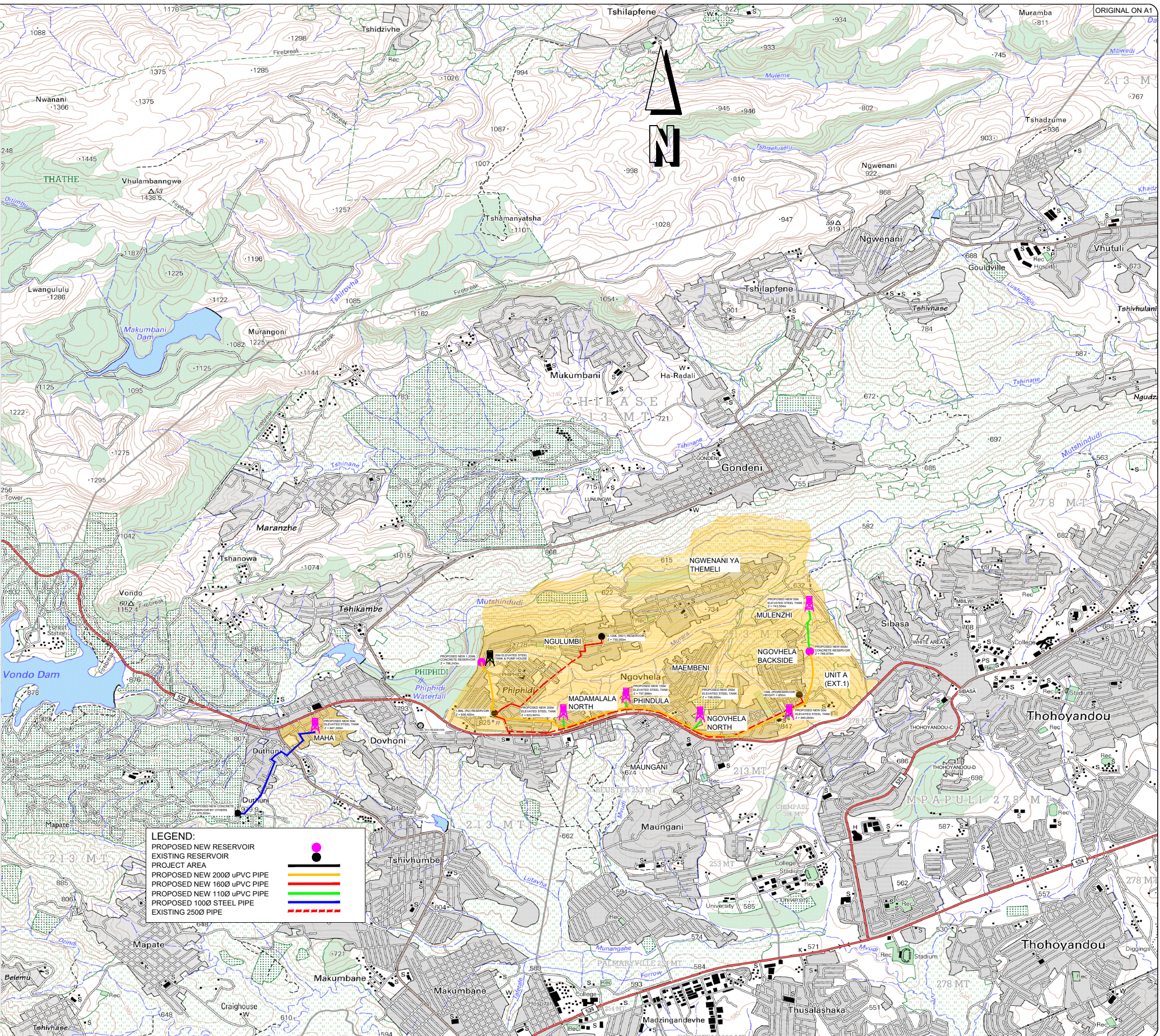


P.o. Box 2740
POLOKWANE
0700

Tel: (015) 296-4460
Fax: (015) 296-4103

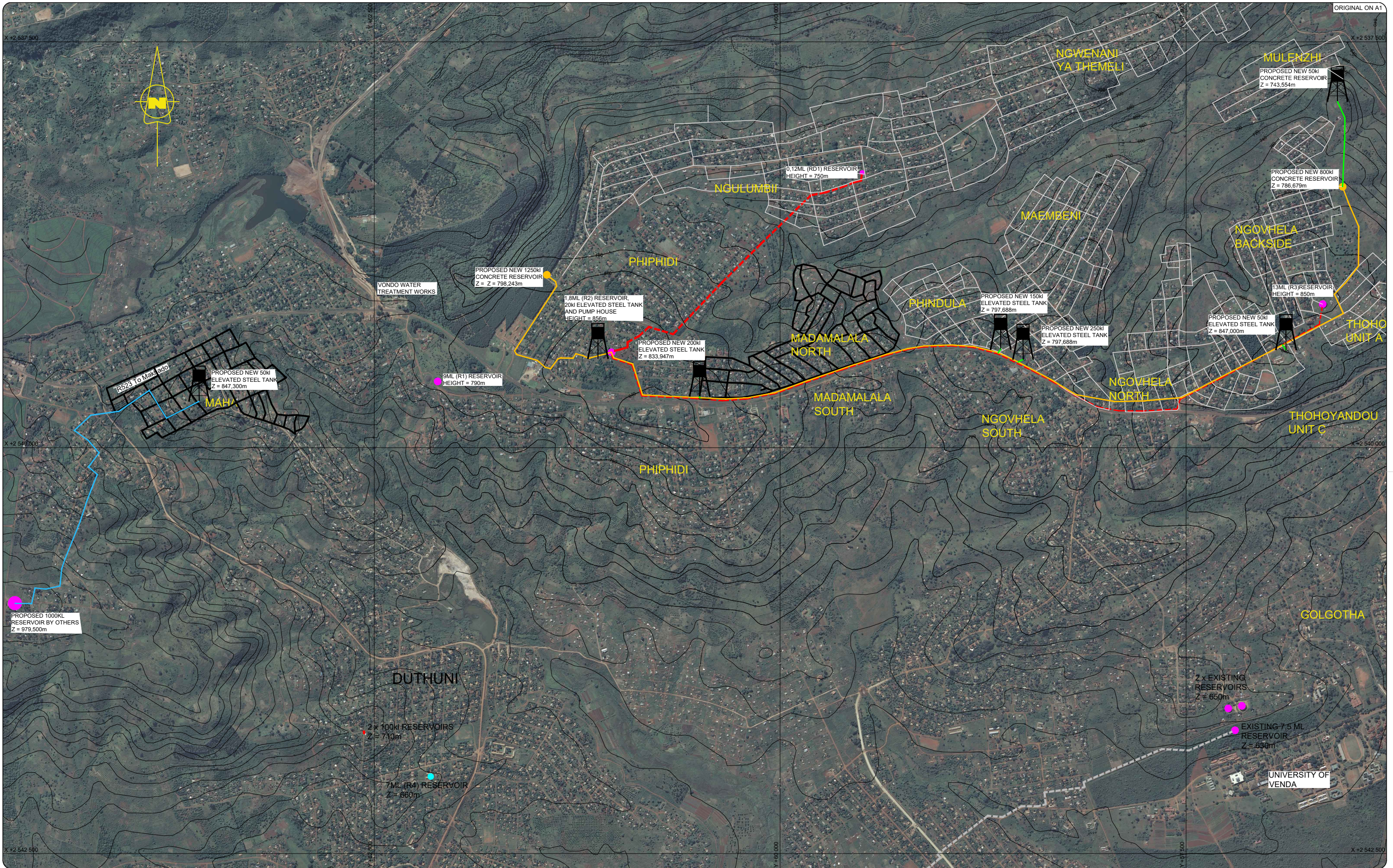
LIST OF DRAWINGS

Drawing No.	Description
MCVDM/BRU/Kp/01	KEY PLAN AND LIST OF DRAWINGS
MCVDM/BRU/Kp/02	GENERAL LAYOUT PLAN
WATER RETICULATION PLANS	
MCVDM/BRU/Lp/01	MADAMALALA NORTH WATER RETICULATION LAYOUT PLAN
MCVDM/BRU/Lp/02	PHINDULA AND MAEMBENI WATER RETICULATION LAYOUT PLAN
MCVDM/BRU/Lp/03	NGOVHELA WATER RETICULATION LAYOUT PLAN
MCVDM/BRU/Lp/04	NGOVHELA BACKSIDE WATER RETICULATION LAYOUT PLAN
MCVDM/BRU/Lp/05	MULENZHI WATER RETICULATION LAYOUT PLAN
MCVDM/BRU/Lp/06	NGULUMBI WATER RETICULATION LAYOUT PLAN (SHEET 1 OF 2)
MCVDM/BRU/Lp/07	NGULUMBI WATER RETICULATION LAYOUT PLAN (SHEET 2 OF 2)
MCVDM/BRU/Lp/08	MAHA WATER RETICULATION LAYOUT PLAN
WATER RETICULATION SETTING OUT PLANS	
MCVDM/BRU/So/01	MADAMALALA NORTH WATER RETICULATION SETTING OUT DATA
MCVDM/BRU/So/02	PHINDULA AND MAEMBENI WATER RETICULATION SETTING OUT DATA
MCVDM/BRU/So/03	NGOVHELA WATER RETICULATION SETTING OUT DATA
MCVDM/BRU/So/04	NGOVHELA BACKSIDE WATER RETICULATION LAYOUT PLAN
MCVDM/BRU/So/05	MULENZHI WATER RETICULATION SETTING OUT DATA
MCVDM/BRU/So/06	NGULUMBI WATER RETICULATION SETTING OUT DATA
MCVDM/BRU/So/07	MAHA WATER RETICULATION SETTING OUT DATA
BULK PIPELINE LAYOUT & LONGITUDINAL PLANS	
MCVDM/BRU/Rp/01	FROM R2 RESERVOIR TO MULENZHI ELEVATED TANK: ROUTE PLAN WITH LONGITUDINAL SECTION Ch 0,000 TO Ch 1500,000
MCVDM/BRU/Rp/02	FROM R2 RESERVOIR TO MULENZHI ELEVATED TANK: ROUTE PLAN WITH LONGITUDINAL SECTION Ch 1500,000 TO Ch 3000,000
MCVDM/BRU/Rp/03	FROM R2 RESERVOIR TO MULENZHI ELEVATED TANK: ROUTE PLAN WITH LONGITUDINAL SECTION Ch 3000,000 TO Ch 4500,000
MCVDM/BRU/Rp/04	FROM R2 RESERVOIR TO MULENZHI ELEVATED TANK: ROUTE PLAN WITH LONGITUDINAL SECTION Ch 4500,000 TO Ch 6000,000
MCVDM/BRU/Rp/05	FROM R2 RESERVOIR TO MULENZHI ELEVATED TANK: ROUTE PLAN WITH LONGITUDINAL SECTION Ch 6000,000 TO Ch 6333,893
MCVDM/BRU/Rp/06	FROM PROPOSED NEW BULK PIPELINE TO MADAMALALA NORTH, PHINDULA & NGOVHELA NORTH MULENZHI ELEVATED TANK: ROUTE PLANS WITH LONGITUDINAL SECTIONS
MCVDM/BRU/Rp/07	FROM R2 RESERVOIR TO PROPOSED NEW RESERVOIR AT NGWENANI YA MAPHOLI: ROUTE PLAN WITH LONGITUDINAL SECTION Ch 0,000 TO Ch 1500,000
MCVDM/BRU/Rp/08	FROM R2 RESERVOIR TO PROPOSED NEW RESERVOIR AT NGWENANI YA MAPHOLI: ROUTE PLAN WITH LONGITUDINAL SECTION Ch 1500,000 TO Ch 2200,562
MCVDM/BRU/Rp/09	FROM R2 RESERVOIR TO PROPOSED NEW RESERVOIR AT DUTHUNI: ROUTE PLAN WITH LONGITUDINAL SECTION Ch 0,000 TO Ch 1000,000
MCVDM/BRU/Rp/10	FROM R2 RESERVOIR TO PROPOSED NEW RESERVOIR AT DUTHUNI: ROUTE PLAN WITH LONGITUDINAL SECTION Ch 0,000 TO Ch 2228,362
VILLAGE TAKE-OFF CHAMBERS	
MCVDM/BRU/Vt/01	VILLAGE TAKEOFF VALVE CHAMBER NO. 1: TO MADAMALALA NORTH ELEVATED STEEL TANK
MCVDM/BRU/Vt/02	VILLAGE TAKEOFF VALVE CHAMBER NO. 1: TO PHINDULA ELEVATED STEEL TANK
MCVDM/BRU/Vt/03	VILLAGE TAKEOFF VALVE CHAMBER NO. 1: TO NGOVHELA BACKSIDE ELEVATED STEEL TANK
MCVDM/BRU/Vt/04	VILLAGE TAKEOFF VALVE CHAMBER NO. 1: TO MAEMBENI ELEVATED STEEL TANK
INLET, OUTLET, SCOUR & OVERFLOW DETAILS	
MCVDM/BRU/RD/01	1250KJ AND 800KJ RESERVOIRS: INLET DETAILS
MCVDM/BRU/RD/02	1250KJ AND 800KJ RESERVOIRS: OUTLET DETAILS
MCVDM/BRU/RD/03	1250KJ AND 800KJ RESERVOIRS: OVERFLOW AND SCOUR DETAILS (SHEET 1 OF 2)
MCVDM/BRU/RD/04	1250KJ AND 800KJ RESERVOIRS: OVERFLOW AND SCOUR DETAILS (SHEET 2 OF 2)
ELEVATED TANK DETAILS	
MCVDM/BRU/DT/01	ELEVATED TANK: FOUNDATION, STRUCTURAL STEEL, REINFORCEMENT DETAILS
RESERVOIR PLANS	
MCVDM/BRU/CR/01	1250KJ RESERVOIR: TYPICAL SECTION AND LAYOUT PLANS
MCVDM/BRU/CR/02	1250KJ RESERVOIR: GENERAL LAYOUT: MECHANICAL DETAILS
MCVDM/BRU/CR/03	1250KJ RESERVOIR: INLET AND OUTLET DETAILS
MCVDM/BRU/CR/04	1250KJ RESERVOIR: SCOUR AND OVERFLOW DETAILS
MCVDM/BRU/CR/05	1250KJ RESERVOIR: FABRICATED MANHOLE AND TYPES 1, 2 AND 3 ACCESS LADDER DETAILS
MCVDM/BRU/CR/06	1250KJ RESERVOIR: SHEET 1 OF 2: MECHANICAL DETAILS
MCVDM/BRU/CR/07	1250KJ RESERVOIR: SCHEDULE OF FITTINGS AND GENERAL NOTES: SHEET 2 OF 2: MECHANICAL DETAILS
MCVDM/BRU/CR/08	1250KJ RESERVOIR: REINFORCEMENT DETAILS
MCVDM/BRU/CR/09	1250KJ RESERVOIR: BENDING SCHEDULES AND CONCRETE END STRUCTURE HEADWALL DETAILS
MCVDM/BRU/CR/10	1250KJ RESERVOIR: TYPICAL SECTION AND UNDER FLOOR LAYOUT
MCVDM/BRU/CR/11	850KJ RESERVOIR: TYPICAL CONCRETE AND MECHANICAL DETAILS
MCVDM/BRU/CR/12	850KJ RESERVOIR: TYPICAL MECHANICAL DETAILS, ALTERNATIVE PUMPLINE AND FLOAT CONTROL INLETS, OUTLET, SCOUR AND OVERFLOWS
MCVDM/BRU/CR/13	850KJ RESERVOIR: LEVEL INDICATOR DETAILS
MCVDM/BRU/CR/14	850KJ RESERVOIR: SCHEDULES OF MECHANICAL FITTINGS AND NOTES
MCVDM/BRU/CR/15	850KJ RESERVOIR: TYPICAL CONCRETE AND REINFORCEMENT DETAILS
STANDARD DETAILS	
MCVDM/BRU/SD/01	TYPE 1 AIR VALVE CHAMBER DETAILS
MCVDM/BRU/SD/02	TYPE 2 AIR VALVE CHAMBER DETAILS
MCVDM/BRU/SD/03	TYPE 3 AIR VALVE CHAMBER DETAILS
MCVDM/BRU/SD/04	TYPE 1 SCOUR VALVE CHAMBER DETAILS
MCVDM/BRU/SD/05	TYPE 2 SCOUR VALVE CHAMBER DETAILS
MCVDM/BRU/SD/06	TYPE 3 SCOUR VALVE CHAMBER DETAILS
MCVDM/BRU/SD/07	TYPICAL ACCESS LADDER, AIR BREATHER AND HINGE DETAILS
MCVDM/BRU/SD/08	TYPICAL DETAILS FOR PIPELINE MARKERS AND BENCHMARKS
MCVDM/BRU/SD/09	VALVE CHAMBER DETAILS
MCVDM/BRU/SD/10	TYPICAL HOUSE CONNECTION
MCVDM/BRU/SD/11	THRUST BLOCK DETAILS
MCVDM/BRU/SD/12	PIPE BEDDING DETAILS
MCVDM/BRU/SD/13	PEDESTRIAN - PROOF FENCE 1.85m
MCVDM/BRU/SD/14	TYPICAL DETAILS FOR SECTION OF ROAD CROSSING
MCVDM/BRU/SD/15	TYPICAL RIVER CROSSING DETAIL
MCVDM/BRU/SD/16	NAMEBOARD DETAILS



LEGEND:
 PROPOSED NEW RESERVOIR (Pink dot)
 EXISTING RESERVOIR (Black dot)
 PROJECT AREA (Yellow shading)
 PROPOSED NEW 2000 uPVC PIPE (Black line)
 PROPOSED NEW 1600 uPVC PIPE (Red line)
 PROPOSED NEW 1100 uPVC PIPE (Green line)
 PROPOSED 1000 STEEL PIPE (Blue line)
 EXISTING 2500 PIPE (Dashed red line)

DESIGNED BY		H.T.	VHEMBE DISTRICT MUNICIPALITY		MORULA CONSULTING ENGINEERS		VHEMBE DISTRICT MUNICIPALITY		PROJECT STATUS: TENDER		(Full signature)	
CHECKED BY		H.T.	PRIVATE BAG X5006 THOHOYANDOU 0950		P.O. Box 2740 POLOKWANE 0700		WATER SUPPLY-BULK AND RETICULATION UPGRADING OF NGWENANI THEMELI, NGULUMBI, NGOVHELA, MADAMALALA, PHINDULA, MAEMBANI AND MULEDZHI		SHEET 1 OF 1		SCALE	
DRAWN BY		T.M.	TEL. (015) 960 2000 FAX. (015) 962 1017		CONSULTING ENGINEERS & PROJECT MANAGERS "a new dawn"		CONSULTING ENGINEER		DRAWING NUMBER		REVISION	
CHECKED BY		H.T.			TEL. (015) 296-4460 FAX. (015) 296-4103		DATE		MCVDM/BRU/Kp/01		①	
No.	DATE	REVISION	CONSULT	OR	DATE		DATE		KEY PLAN AND LIST OF DRAWINGS			



No	DATE	REVISION	CONSULT	DIR

DESIGNED BY	H.T.
CHECKED BY	H.T.
DRAWN BY	T.M.
CHECKED BY	H.T.

VHEMBE DISTRICT MUNICIPALITY



PRIVATE BAG X5006
THOHOYANDOU
0950
TEL. (015) 960 2000
FAX. (015) 962 1017

MORULA CONSULTING ENGINEERS



P.O. Box 2740
POLOKWANE
0700
CONSULTING ENGINEERS & PROJECT MANAGERS
"a new dawn"
TEL. (015) 296-4460
FAX. (015) 296-4103

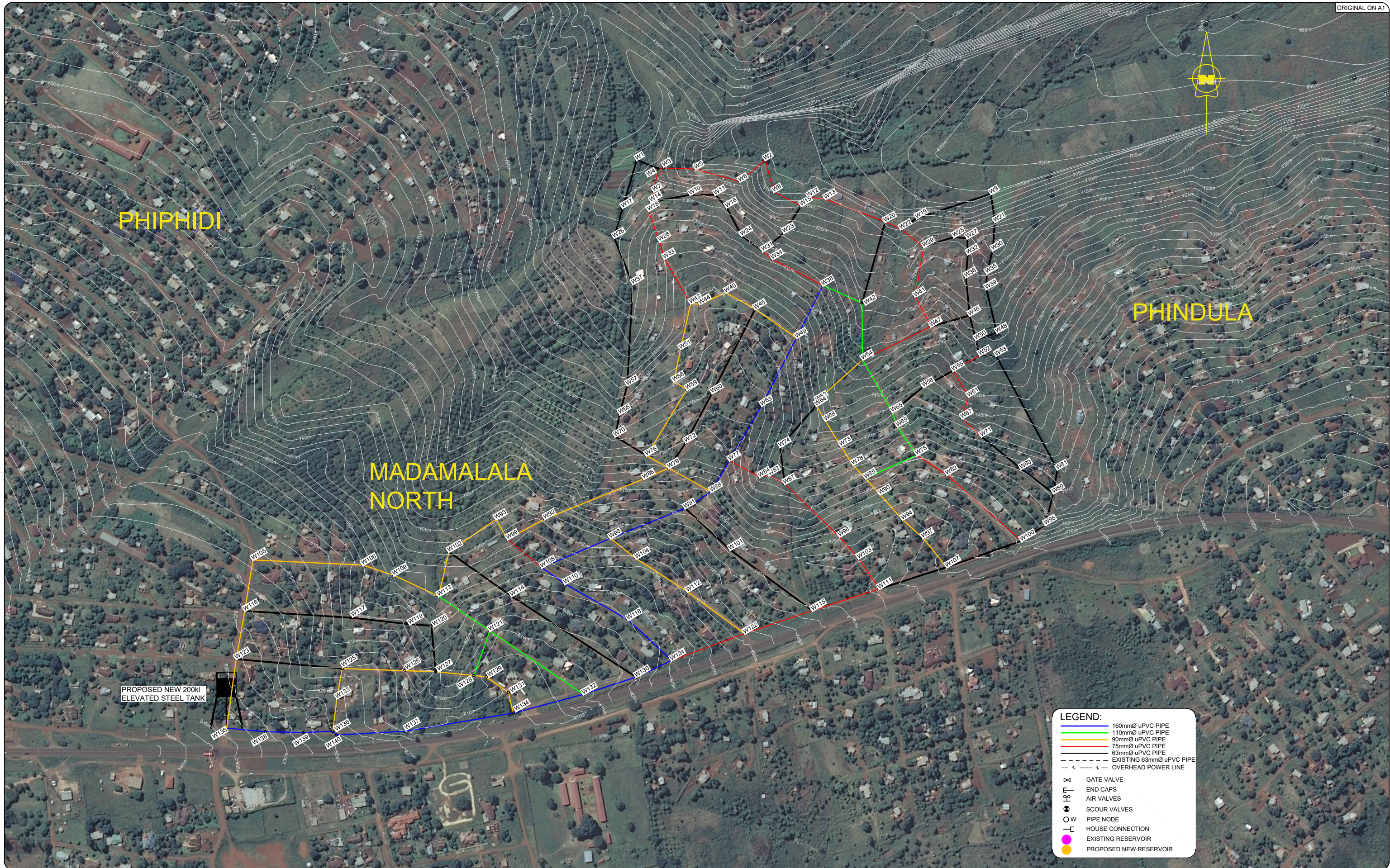
..... DATE
..... DATE

VHEMBE DISTRICT MUNICIPALITY PROJECT STATUS: TENDER

WATER SUPPLY-BULK AND RETICULATION UPGRADING OF NGWENANI THEMELI, NGULUMBI, NGOVHELA, MADAMALALA, PHINDULA, MAEMBANI AND MULEDZHI

LAYOUT PLAN SHOWING PROPOSED BULK PIPELINES, ELEVATED TANKS AND RESERVOIRS

(Full signature)	SHEET 1 OF 1
..... DATE	SCALE
..... DATE	1:10 000
DRAWING NUMBER	REVISION
MC/VDM/BRU/Kp02	①



No	DATE	REVISION	CONSULT	DIR

DESIGNED BY	H.T.
CHECKED BY	H.T.
DRAWN BY	T.M.
CHECKED BY	H.T.

VHEMBE DISTRICT MUNICIPALITY



PRIVATE BAG X5006
THOHOYANDOU
0950
TEL. (015) 960 2000
FAX. (015) 962 1017

MORULA CONSULTING ENGINEERS



P. o. Box 2740
POLOKWANE
0700
CONSULTING ENGINEERS & PROJECT MANAGERS
"a new dawn"
TEL. (015) 296-4460
FAX. (015) 296-4103

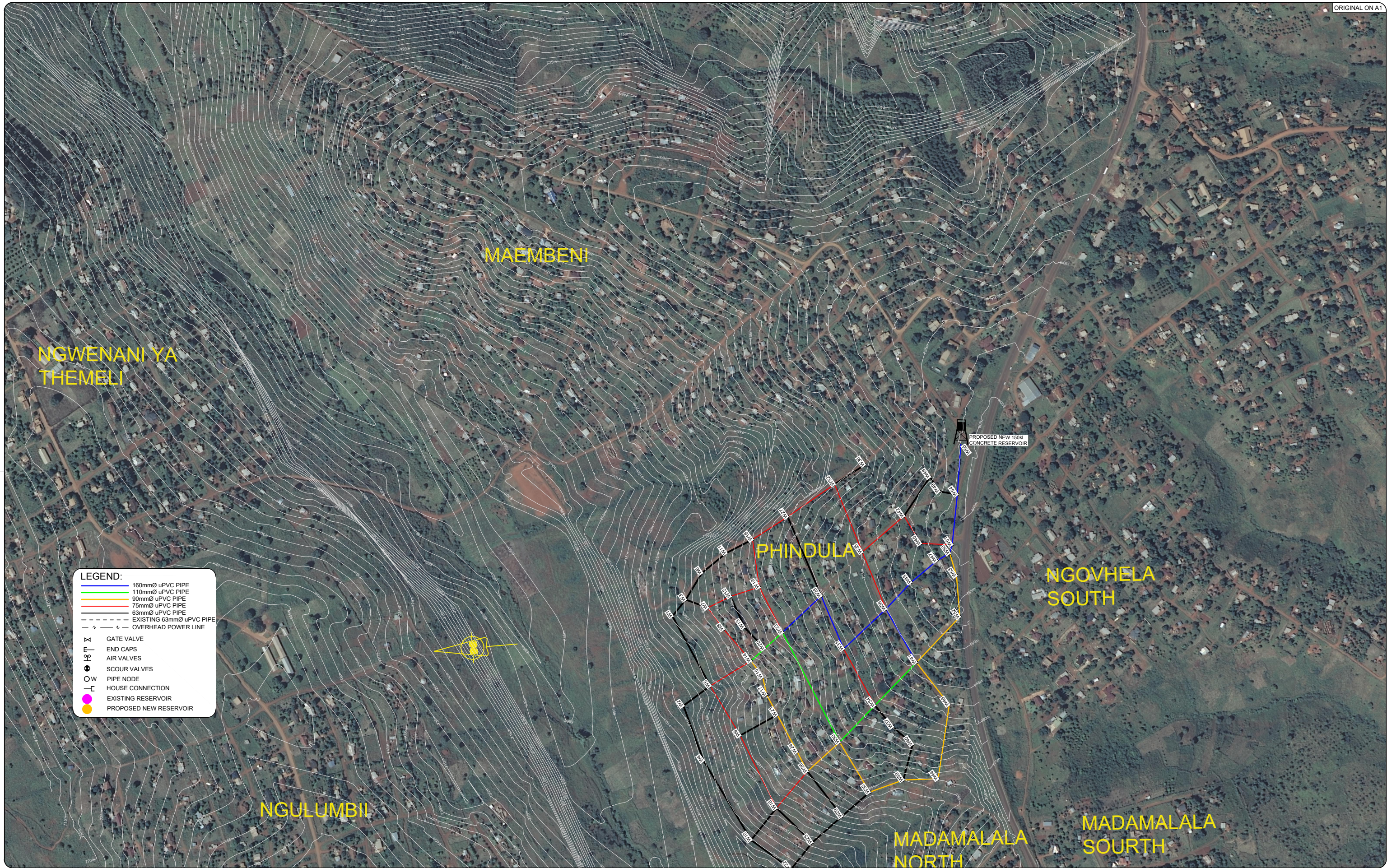
.....	DATE
.....	DATE

VHEMBE DISTRICT MUNICIPALITY PROJECT STATUS: TENDER

WATER SUPPLY-BULK AND RETICULATION UPGRADING OF NGWENANI THEMELI, NGULUMBI, NGOVHELA, MADAMALALA, PHINDULA, MAEMBANI AND MULEDZHI

MADAMALALA NORTH WATER RETICULATION LAYOUT PLAN

(Full signature)	SHEET 1 OF 1
.....	SCALE
.....	1:2500
DRAWING NUMBER	REVISION
MC/VDM/BRU/Lp01	①



LEGEND:

- 160mmØ uPVC PIPE
- 110mmØ uPVC PIPE
- 90mmØ uPVC PIPE
- 75mmØ uPVC PIPE
- 63mmØ uPVC PIPE
- - - EXISTING 63mmØ uPVC PIPE
- OVERHEAD POWER LINE

- GATE VALVE
- END CAPS
- AIR VALVES
- SCOUR VALVES
- PIPE NODE
- HOUSE CONNECTION
- EXISTING RESERVOIR
- PROPOSED NEW RESERVOIR

No	DATE	REVISION	CONSULT	DIR


DESIGNED BY	H.T.
CHECKED BY	H.T.
DRAWN BY	T.M.
CHECKED BY	H.T.

VHEMBE DISTRICT MUNICIPALITY



PRIVATE BAG X5006
THOHOYANDOU
0950
TEL. (015) 960 2000
FAX. (015) 962 1017

MORULA CONSULTING ENGINEERS



P. o. Box 2740
POLOKWANE
0700
TEL. (015) 296-4460
FAX. (015) 296-4103

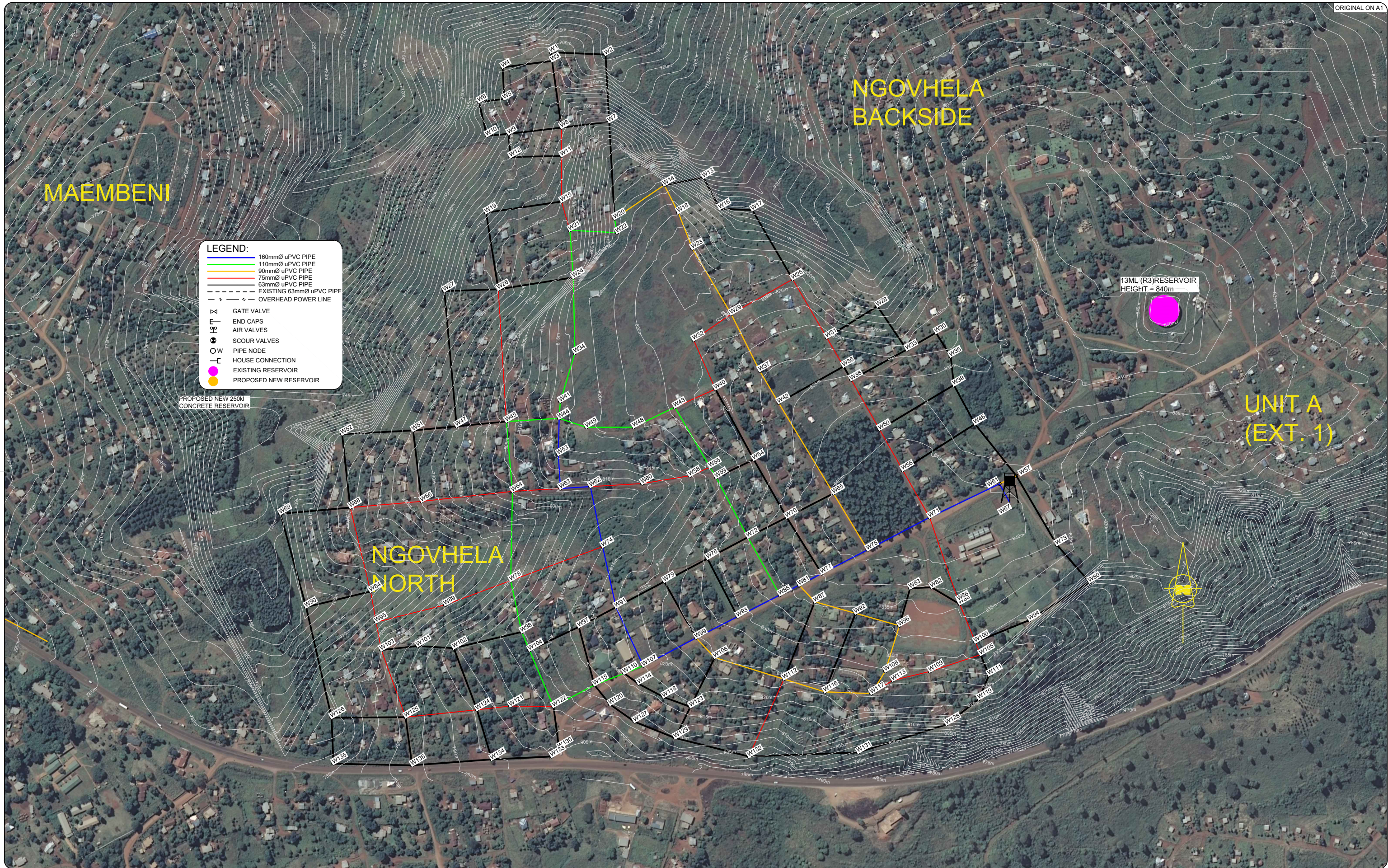
.....	DATE
VDM
.....	DATE
CONSULTING ENGINEER

VHEMBE DISTRICT MUNICIPALITY PROJECT STATUS: TENDER

WATER SUPPLY-BULK AND RETICULATION UPGRADING OF NGWENANI THEMELI, NGULUMBI, NGOVHELA, MADAMALALA, PHINDULA, MAEMBANI AND MULEDZHI

PHINDULA AND MAEMBENI WATER RETICULATION LAYOUT PLAN

(Full signature)	SHEET 1 OF 1
.....	SCALE
.....	1:2500
DRAWING NUMBER	REVISION
MC/VDM/BRU/Lp02	①



LEGEND:

- 160mmØ uPVC PIPE
- 110mmØ uPVC PIPE
- 90mmØ uPVC PIPE
- 75mmØ uPVC PIPE
- 63mmØ uPVC PIPE
- - - EXISTING 63mmØ uPVC PIPE
- OVERHEAD POWER LINE
- GATE VALVE
- END CAPS
- AIR VALVES
- SCOUR VALVES
- PIPE NODE
- HOUSE CONNECTION
- EXISTING RESERVOIR
- PROPOSED NEW RESERVOIR

PROPOSED NEW 250kL
CONCRETE RESERVOIR

13ML (R3) RESERVOIR
HEIGHT = 840m

UNIT A
(EXT. 1)

NGOVHELA
NORTH

NGOVHELA
BACKSIDE

MAEMBENI

No	DATE	REVISION	CONSULT	DIR

DESIGNED BY	H.T.
CHECKED BY	H.T.
DRAWN BY	T.M.
CHECKED BY	H.T.

VHEMBE DISTRICT MUNICIPALITY



PRIVATE BAG X5006
THOHOYANDOU
0950
TEL. (015) 960 2000
FAX. (015) 962 1017

MORULA CONSULTING ENGINEERS



P. o. Box 2740
POLOKWANE
0700
CONSULTING ENGINEERS
& PROJECT MANAGERS
"a new dawn"
TEL. (015) 296-4460
FAX. (015) 296-4103

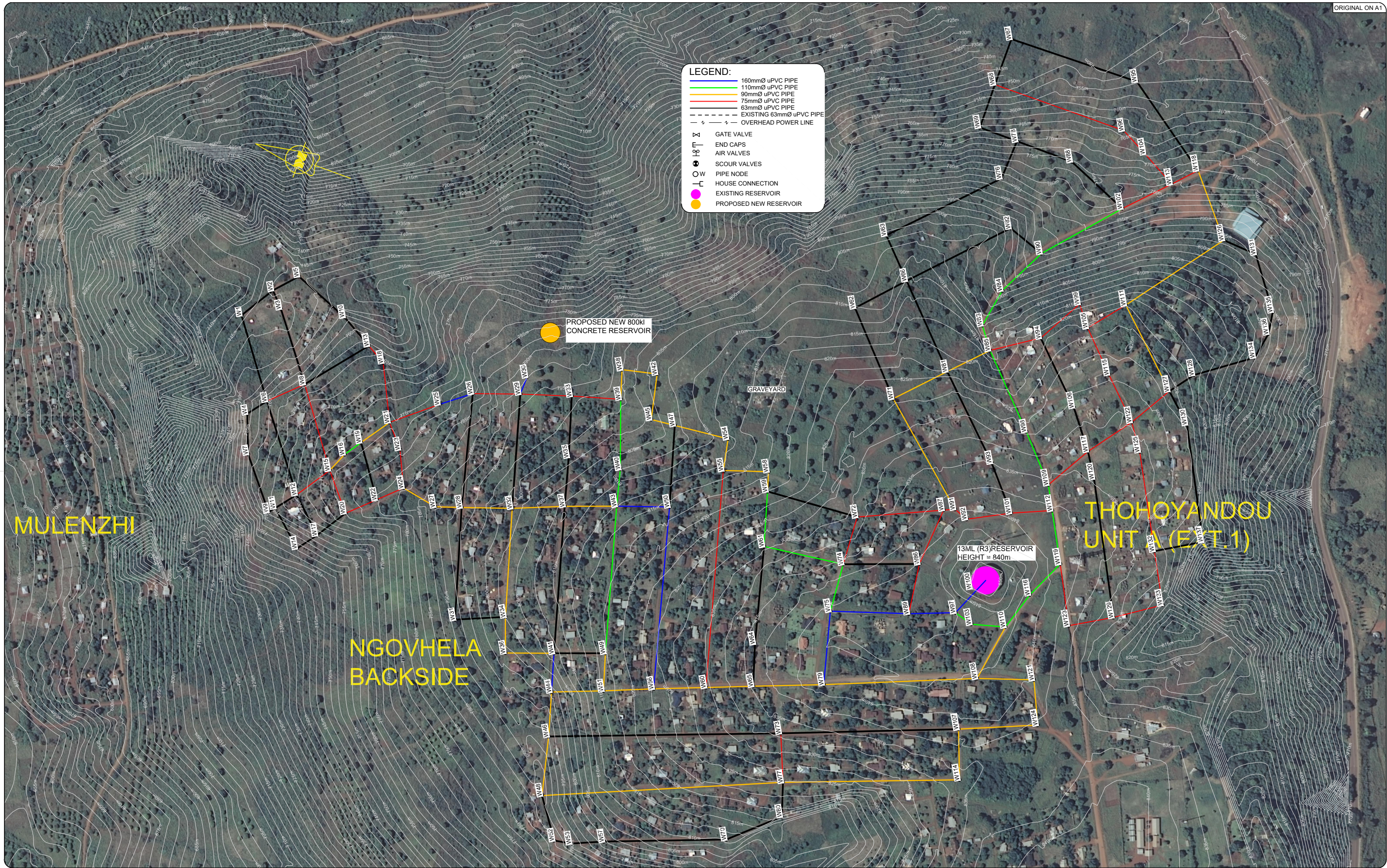
.....	DATE
.....	DATE

VHEMBE DISTRICT MUNICIPALITY PROJECT STATUS: TENDER

**WATER SUPPLY-BULK AND RETICULATION UPGRADING OF
NGWENANI THEMELI, NGULUMBI, NGOVHELA, MADAMALALA,
PHINDULA, MAEMBANI AND MULEDZHI**

NGOVHELA WATER RETICULATION LAYOUT PLAN

(Full signature)	SHEET 1 OF 1
.....	SCALE
.....	1:2500
DRAWING NUMBER	REVISION
MC/VDM/BRU/Lp03	①



No	DATE	REVISION	CONSULT	DIR


DESIGNED BY	H.T.
CHECKED BY	H.T.
DRAWN BY	T.M.
CHECKED BY	H.T.

VHEMBE DISTRICT MUNICIPALITY



PRIVATE BAG X5006
THOHOYANDOU
0950
TEL. (015) 960 2000
FAX. (015) 962 1017

MORULA CONSULTING ENGINEERS



P. o. Box 2740
POLOKWANE
0700
CONSULTING ENGINEERS
& PROJECT MANAGERS
"a new dawn"
TEL. (015) 296-4460
FAX. (015) 296-4103

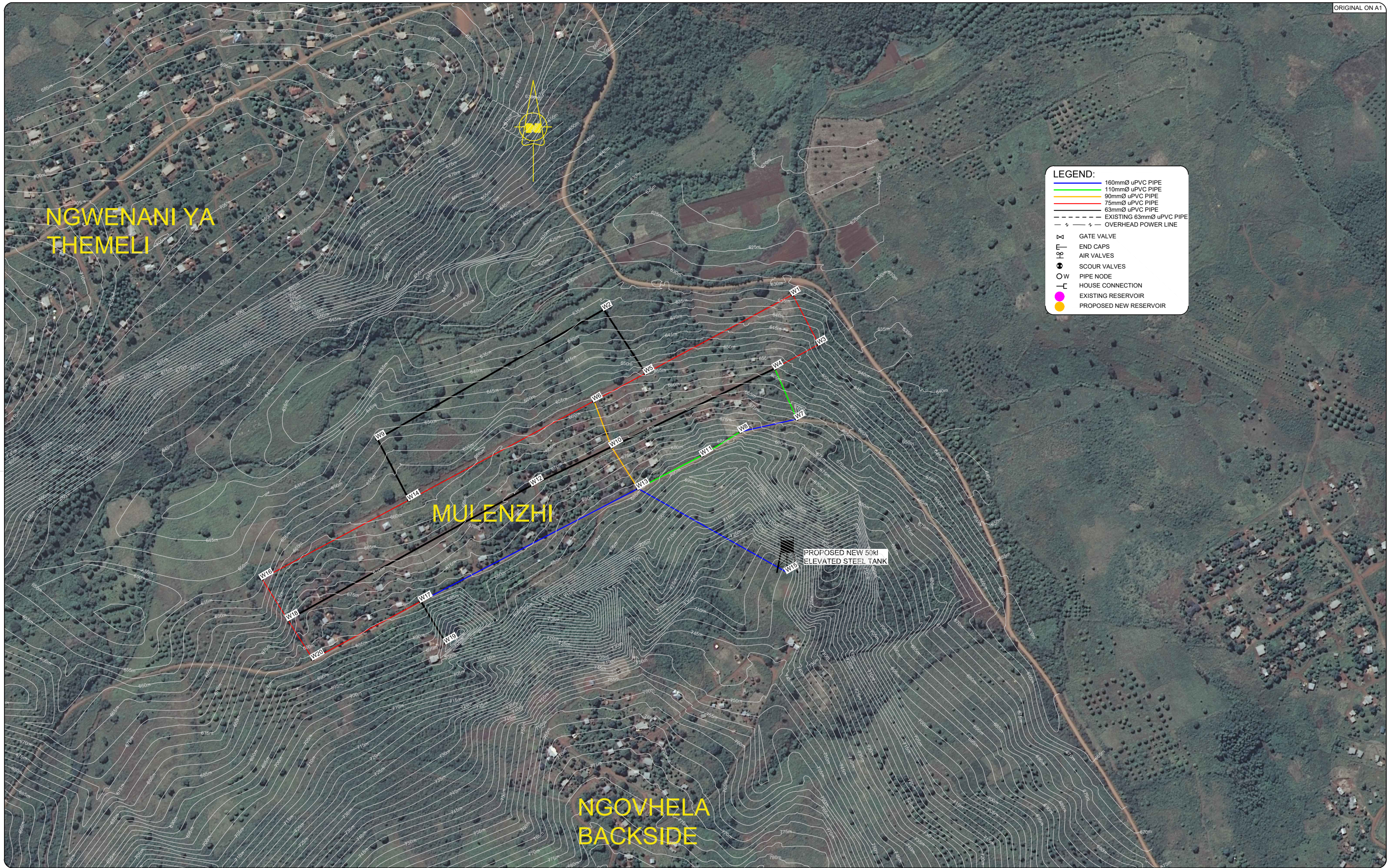
.....	DATE
.....	DATE

VHEMBE DISTRICT MUNICIPALITY PROJECT STATUS: TENDER

WATER SUPPLY-BULK AND RETICULATION UPGRADING OF NGWENANI THEMELI, NGULUMBI, NGOVHELA, MADAMALALA, PHINDULA, MAEMBANI AND MULEDZHI

NGOVHELA BACKSIDE WATER RETICULATION LAYOUT PLAN

(Full signature)	SHEET 1 OF 1
.....	SCALE
.....	1:2500
DRAWING NUMBER	REVISION
MC/VDM/BRU/Lp04	①



No	DATE	REVISION	CONSULT	DIR

DESIGNED BY	H.T.
CHECKED BY	H.T.
DRAWN BY	T.M.
CHECKED BY	H.T.

VHEMBE DISTRICT MUNICIPALITY



PRIVATE BAG X5006
THOHOYANDOU
0950
TEL. (015) 960 2000
FAX. (015) 962 1017

MORULA CONSULTING ENGINEERS



P. o. Box 2740
POLOKWANE
0700
CONSULTING ENGINEERS & PROJECT MANAGERS
"a new dawn"
TEL. (015) 296-4460
FAX. (015) 296-4103

.....	DATE
VDM
.....	DATE
CONSULTING ENGINEER

VHEMBE DISTRICT MUNICIPALITY PROJECT STATUS: TENDER

WATER SUPPLY-BULK AND RETICULATION UPGRADING OF NGWENANI THEMELI, NGULUMBI, NGOVHELA, MADAMALALA, PHINDULA, MAEMBANI AND MULEDZHI

MULENZHI WATER RETICULATION LAYOUT PLAN

(Full signature)	SHEET 1 OF 1
.....	SCALE
.....	1:2500
DRAWING NUMBER	REVISION
MC/VDM/BRU/Lp05	①



PROPOSED NEW 1,25ML CONCRETE RESERVOIR

NGULUMBI

PHIPHIDI

MADAMALALA

LEGEND:

- 160mmØ uPVC PIPE
- 110mmØ uPVC PIPE
- 90mmØ uPVC PIPE
- 75mmØ uPVC PIPE
- 63mmØ uPVC PIPE
- - - EXISTING 63mmØ uPVC PIPE
- OVERHEAD POWER LINE
- GATE VALVE
- END CAPS
- AIR VALVES
- SCOUR VALVES
- PIPE NODE
- HOUSE CONNECTION
- EXISTING RESERVOIR
- PROPOSED NEW RESERVOIR

No	DATE	REVISION	CONSULT	DIR

DESIGNED BY	H.T.
CHECKED BY	H.T.
DRAWN BY	T.M.
CHECKED BY	H.T.

VHEMBE DISTRICT MUNICIPALITY



PRIVATE BAG X5006
THOHOYANDOU
0950
TEL. (015) 960 2000
FAX. (015) 962 1017

MORULA CONSULTING ENGINEERS



P. o. Box 2740
POLOKWANE
0700
CONSULTING ENGINEERS & PROJECT MANAGERS
"a new dawn"
TEL. (015) 296-4460
FAX. (015) 296-4103

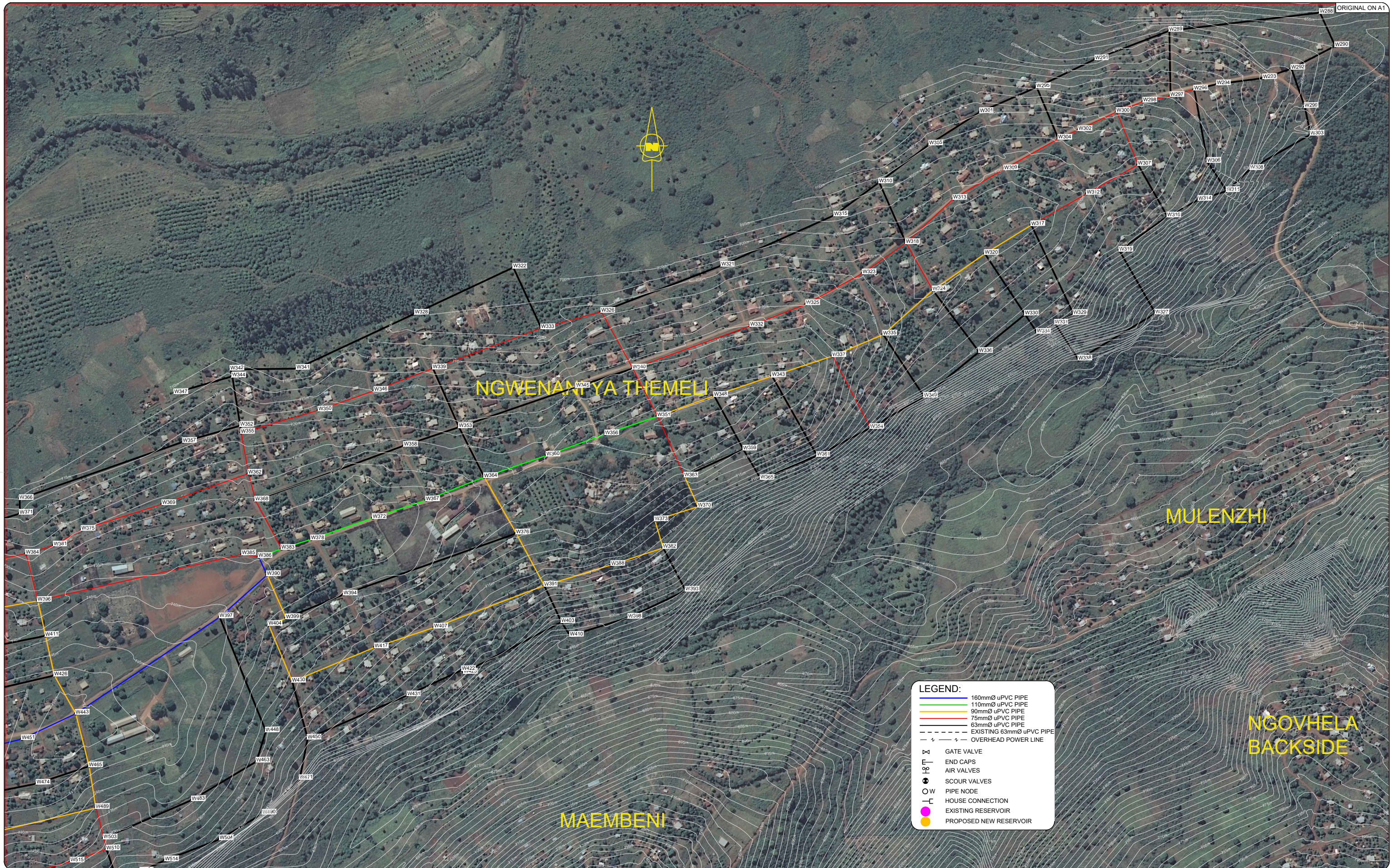
.....
VDM	DATE
.....
CONSULTING ENGINEER	DATE

VHEMBE DISTRICT MUNICIPALITY PROJECT STATUS: TENDER

WATER SUPPLY-BULK AND RETICULATION UPGRADING OF NGWENANI THEMELI, NGULUMBI, NGOVHELA, MADAMALALA, PHINDULA, MAEMBANI AND MULEDZHI

NGULUMBI WATER RETICULATION LAYOUT PLAN (SHEET 1 OF 2)

(Full signature)	SHEET 1 OF 2
.....	SCALE
.....	1:2500
DRAWING NUMBER	REVISION
MC/VDM/BRU/Lp06	①



No	DATE	REVISION	CONSULT	DIR


DESIGNED BY	H.T.
CHECKED BY	H.T.
DRAWN BY	T.M.
CHECKED BY	H.T.

VHEMBE DISTRICT MUNICIPALITY



PRIVATE BAG X5006
THOHOYANDOU
0950
TEL. (015) 960 2000
FAX. (015) 962 1017

MORULA CONSULTING ENGINEERS



P. o. Box 2740
POLOKWANE
0700
CONSULTING ENGINEERS & PROJECT MANAGERS
"a new dawn"
TEL. (015) 296-4460
FAX. (015) 296-4103

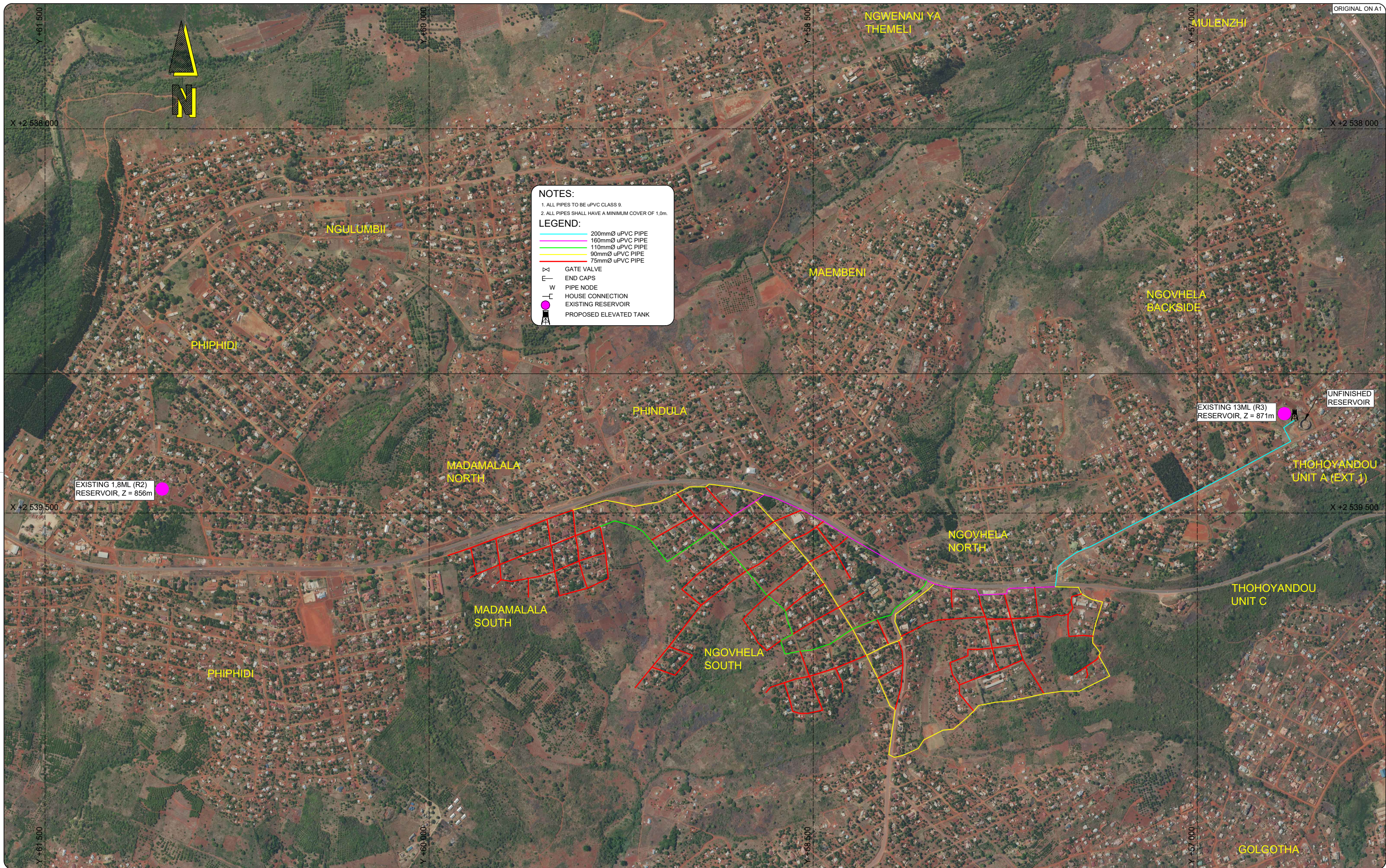
.....VDM.....DATE.....
.....CONSULTING ENGINEER.....DATE.....

VHEMBE DISTRICT MUNICIPALITY PROJECT STATUS: TENDER

WATER SUPPLY-BULK AND RETICULATION UPGRADING OF NGWENANI THEMELI, NGULUMBI, NGOVHELA, MADAMALALA, PHINDULA, MAEMBANI AND MULEDZHI

NGULUMBI WATER RETICULATION LAYOUT PLAN (SHEET 2 OF 2)

(Full signature)	SHEET 2 OF 2
.....	SCALE 1:2500
DRAWING NUMBER MC/VDM/BRU/Lp07	REVISION ①



NOTES:
 1. ALL PIPES TO BE uPVC CLASS 9.
 2. ALL PIPES SHALL HAVE A MINIMUM COVER OF 1.0m.

LEGEND:

- 200mmØ uPVC PIPE
- 150mmØ uPVC PIPE
- 110mmØ uPVC PIPE
- 90mmØ uPVC PIPE
- 75mmØ uPVC PIPE

- GATE VALVE
- END CAPS
- PIPE NODE
- HOUSE CONNECTION
- EXISTING RESERVOIR
- PROPOSED ELEVATED TANK

No	DATE	REVISION	CONSULT	DIR


DESIGNED BY	H.T.
CHECKED BY	H.T.
DRAWN BY	T.M.
CHECKED BY	H.T.

VHEMBE DISTRICT MUNICIPALITY



PRIVATE BAG X5006
 THOHOYANDOU
 0950
 TEL. (015) 960 2000
 FAX. (015) 962 1017

MORULA CONSULTING ENGINEERS



P.o.Box 2740
 POLOKWANE
 0700
 TEL. (015) 296-4460
 FAX. (015) 296-4103

VDM	DATE
CONSULTING ENGINEER	DATE

VHEMBE DISTRICT MUNICIPALITY PROJECT STATUS: TENDER

WATER SUPPLY-BULK AND RETICULATION UPGRADING OF NGWENANI THEMELI, NGULUMBI, NGOVHELA, MADAMALALA, PHINDULA, MAEMBANI AND MULEDZHI

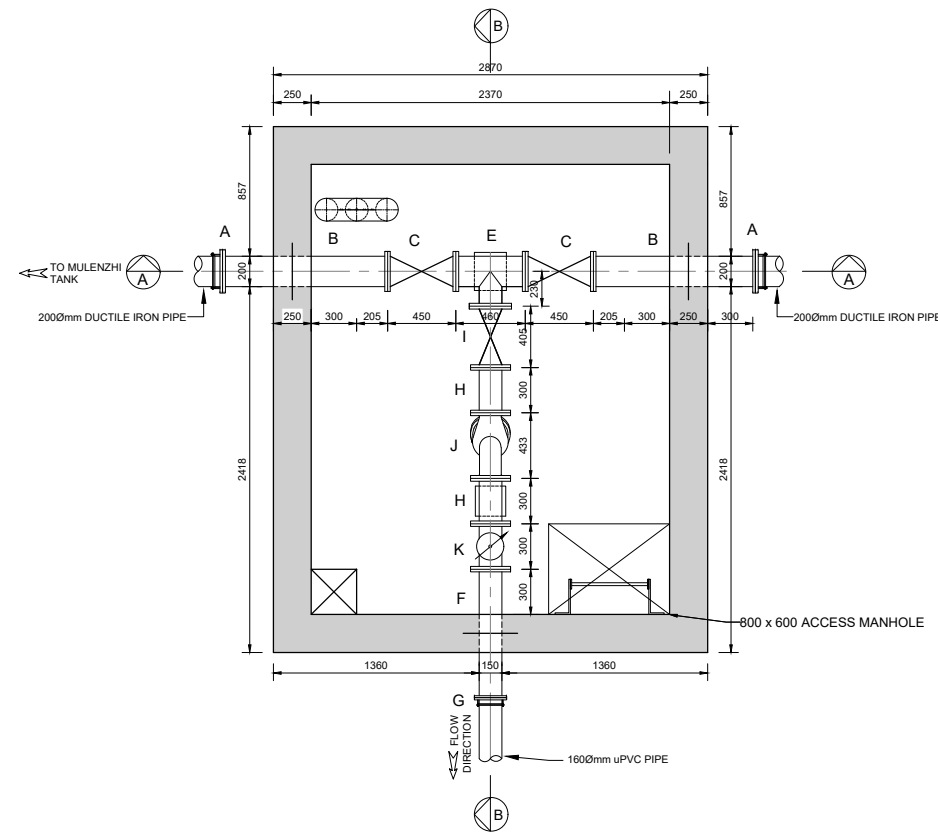
GENERAL LAYOUT PLAN

(Full signature)	SHEET 1 OF 1
	SCALE
	1:10 000
DRAWING NUMBER	REVISION
MC/VDM/BRU/Lp/01	①

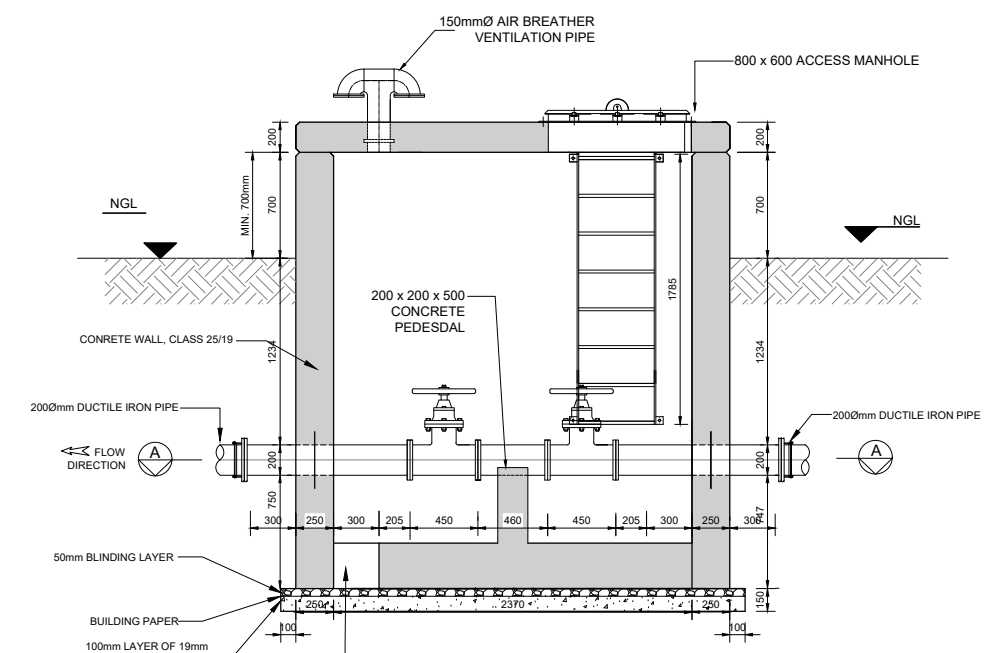
TYPICAL STEEL PIPE FITTINGS AND ITEM LIST
(1600kPa MAX. WORKING PRESURE)

ITEM NR.	DESCRIPTION	No. OFF	MATERIAL	DIMENSIONS
A	200mmØ 'KLAMFLEX COUPLING' (OR APPROVED SIMILAR) MILD STEEL FLANGE ADAPTOR, PN 16.	2	STEEL GRADE 300 WA	
B	200Ø x 850mm LONG STEEL PIPE, ONE END PLAIN AND THE OTHER END FLANGED TO TABLE 1600/3	2	STEEL GRADE 300 WA	
C	200Ømm FLANGED, WATERWORKS PATTERN, RESILIENT SEAL GATE VALVE, NON-RISING SPINDLE, CLOCKWISE CLOSING, BALL THRUST COLLAR AND HANDWHEEL ACCORDING TO SANS 664:1999, PN16. BOTH ENDS FLANGED TO TABLE 1600/3.	2	STEEL GRADE 300 WA	
E	200 x 200 x 150 ND FLANGED STEEL EQUAL TEE. BOTH ENDS FLANGED TO TABLE 1600/3	1	STEEL GRADE 300 WA	
F	150Ø x 850mm LONG STEEL PIPE, ONE END PLAIN AND THE OTHER END FLANGED TO TABLE 1600/3	1	STEEL GRADE 300 WA	
G	150mmØ 'KLAMFLEX COUPLING' (OR APPROVED SIMILAR) MILD STEEL FLANGE ADAPTOR, PN 16.	1	STEEL GRADE 300 WA	
H	150Ø x 300 mm LONG STEEL PIPE, BOTH ENDS FLANGED.	2	STEEL GRADE 300 WA	
I	150Ømm FLANGED, WATERWORKS PATTERN, RESILIENT SEAL GATE VALVE, NON-RISING SPINDLE, CLOCKWISE CLOSING, BALL THRUST COLLAR AND HANDWHEEL ACCORDING TO SANS 664:1999, PN16. BOTH ENDS FLANGED TO TABLE 1600/3.	1	STEEL GRADE 300 WA	
J	150Ø BERMAD 70F STRAINER (OR SIMILAR APPROVED), PN25, STAINLESS STEEL SCREEN & BASKET. ENDS FLANGED TO TABLE 1600/3.	2	STEEL GRADE 300 WA	
K	150Ø MEINECKE TURBINE COSMOS WPD WATER METER (OR SIMILAR APPROVED), PN16. BOTH ENDS FLANGED TO TABLE 1600/3.	2	STEEL GRADE 300 WA	

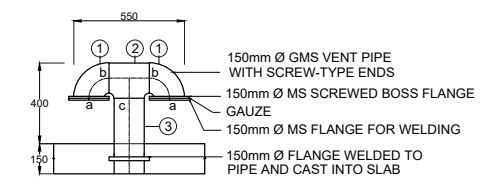
MISCELLANEOUS FITTINGS				
a)	ACCESS LADDERS 1785 mm LONG, FABRICATED, MILD STEEL, HOT DIP GALVANISED ACCESS LADDER, COMPLETE WITH M16 x 100mm LONG HOT DIP GALVANISED ANCHOR BOLTS.	1		
b)	VENTILATORS FABRICATED, MILD STEEL, HOT DIP GALVANISED VENTILATORS, COMPLETE.	1 SET		
c)	MANHOLE COVER 800 x 600 mm FABRICATED, HOT DIP GALVANISED MANHOLE COVER AND FRAME, COMPLETE.	1		



PLAN
SCALE 1:25

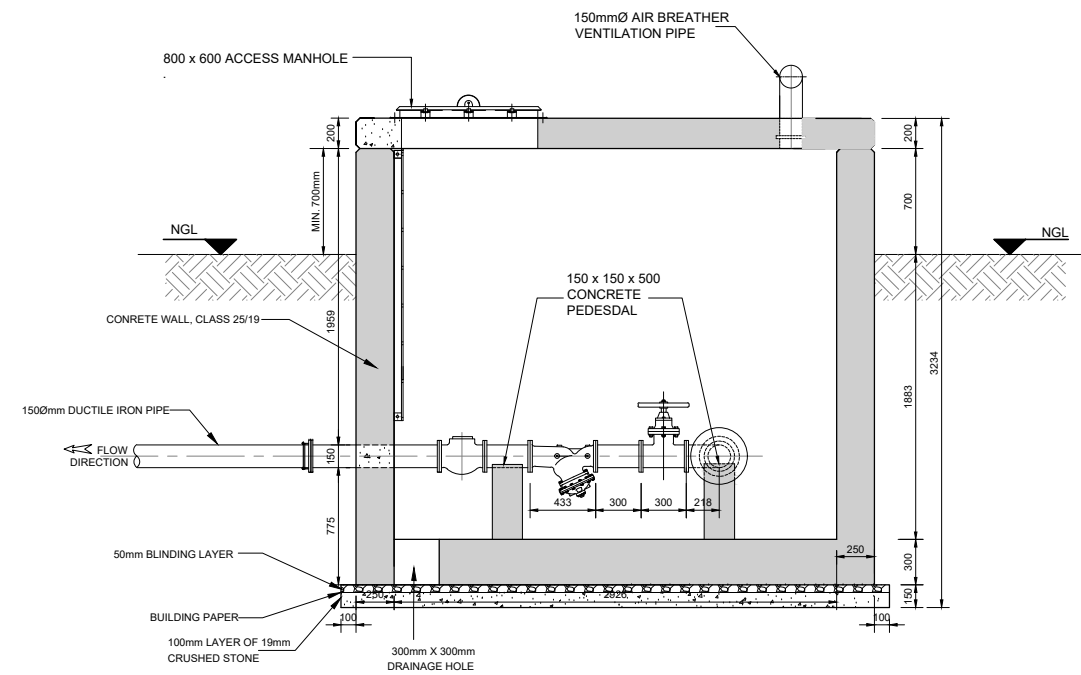


SECTION A-A
SCALE 1:25

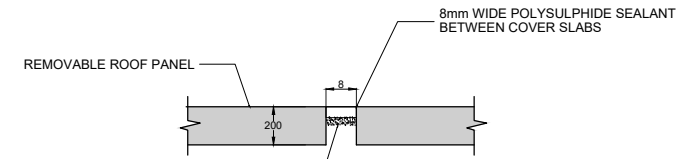


ITEM No.	SHAPE	Ø (mm)	AMF-CODE	FLANGES	THREADED
1	ELBOW 90°M	150	-	a	b
2	TEE	150	0276	-	b,c
3	GMS PIPE	150	-	-	c

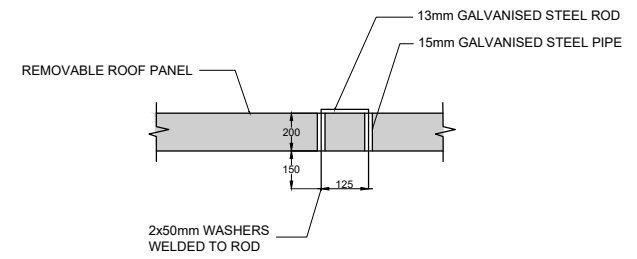
DETAIL C:
AIR BREATHER DETAIL - 150mm Ø GMS VENT PIPE
N.T.S.



SECTION B-B
SCALE 1:25



DETAIL A:
N.T.S.



DETAIL B:
LIFTING HANDLE DETAIL
N.T.S.

No.	DATE	REVISION	CONSULT	DIR

DESIGNED BY	H.T.
CHECKED BY	H.T.
DRAWN BY	T.M.
CHECKED BY	H.T.

VHEMBE DISTRICT MUNICIPALITY

PRIVATE BAG X5006
THOHOYANDOU
0950
TEL. (015) 960 2000
FAX. (015) 962 1017

MORULA CONSULTING ENGINEERS

P. o. Box 2740
POLOKWANE
0700
CONSULTING ENGINEERS & PROJECT MANAGERS
"a new dawn"
TEL. (015) 296-4460
FAX. (015) 296-4103

VDM	DATE
CONSULTING ENGINEER	DATE

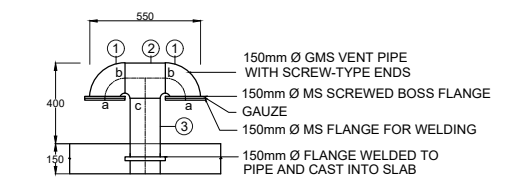
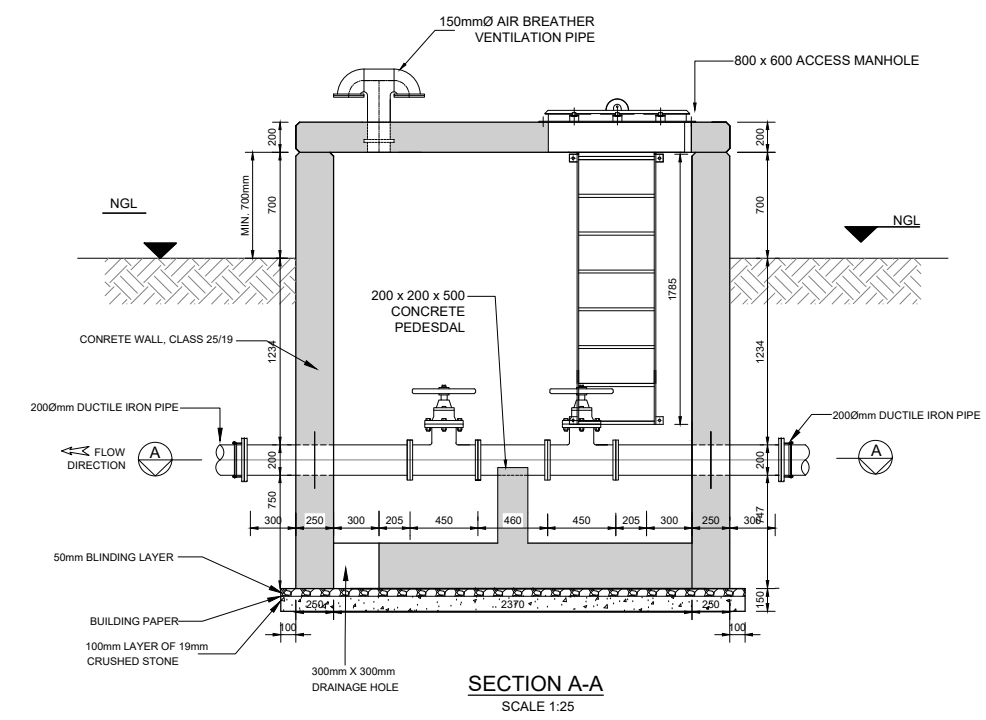
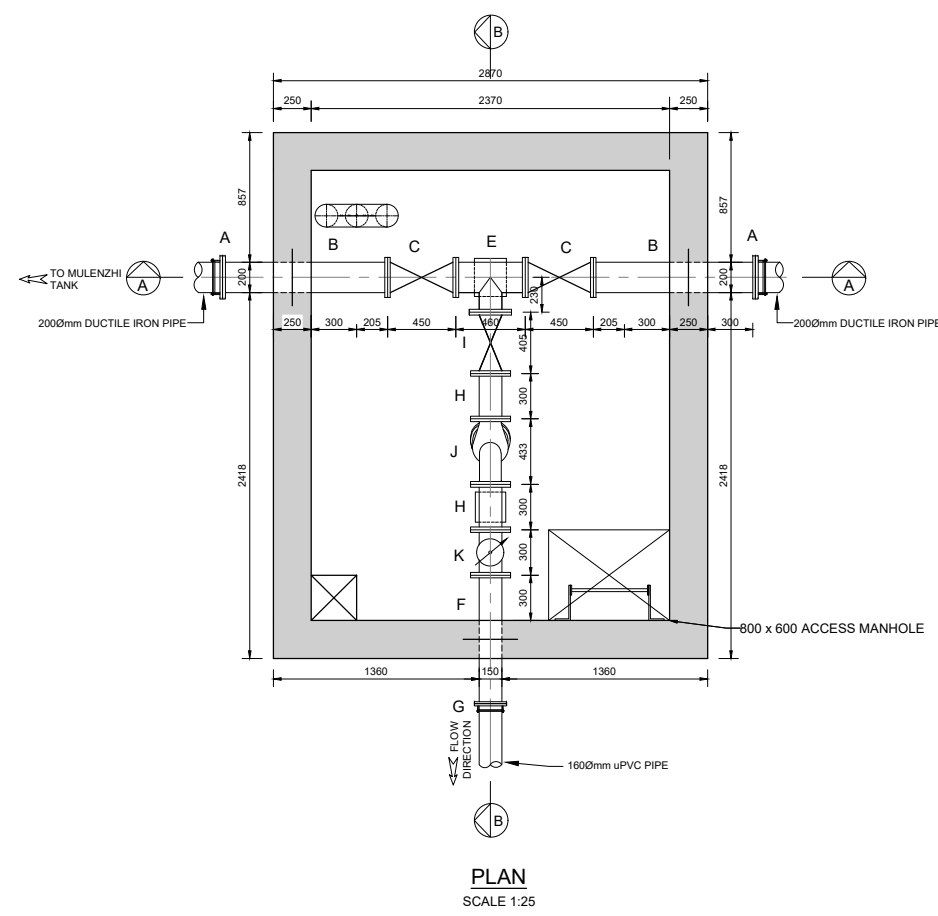
VHEMBE DISTRICT MUNICIPALITY PROJECT STATUS: TENDER

WATER SUPPLY-BULK AND RETICULATION UPGRADING OF NGWENANI THEMELI, NGULUMBI, NGOVHELA, MADAMALALA, PHINDULA, MAEMBANI AND MULEDZHI

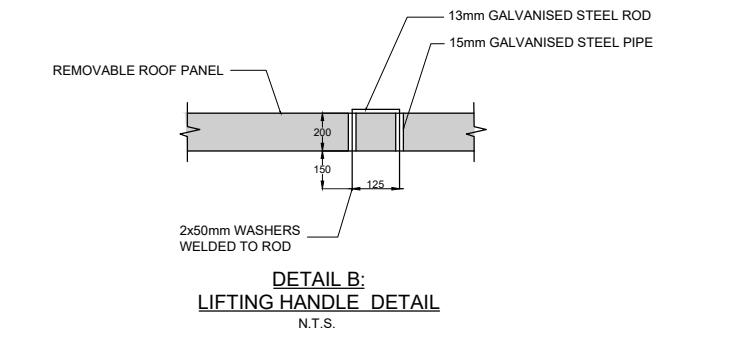
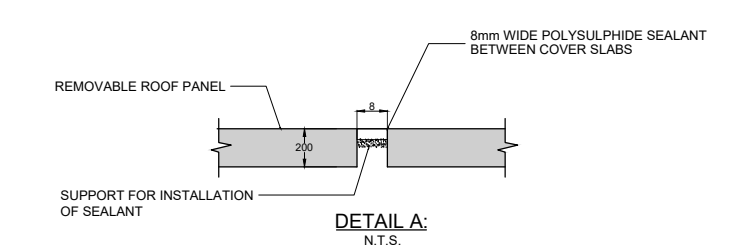
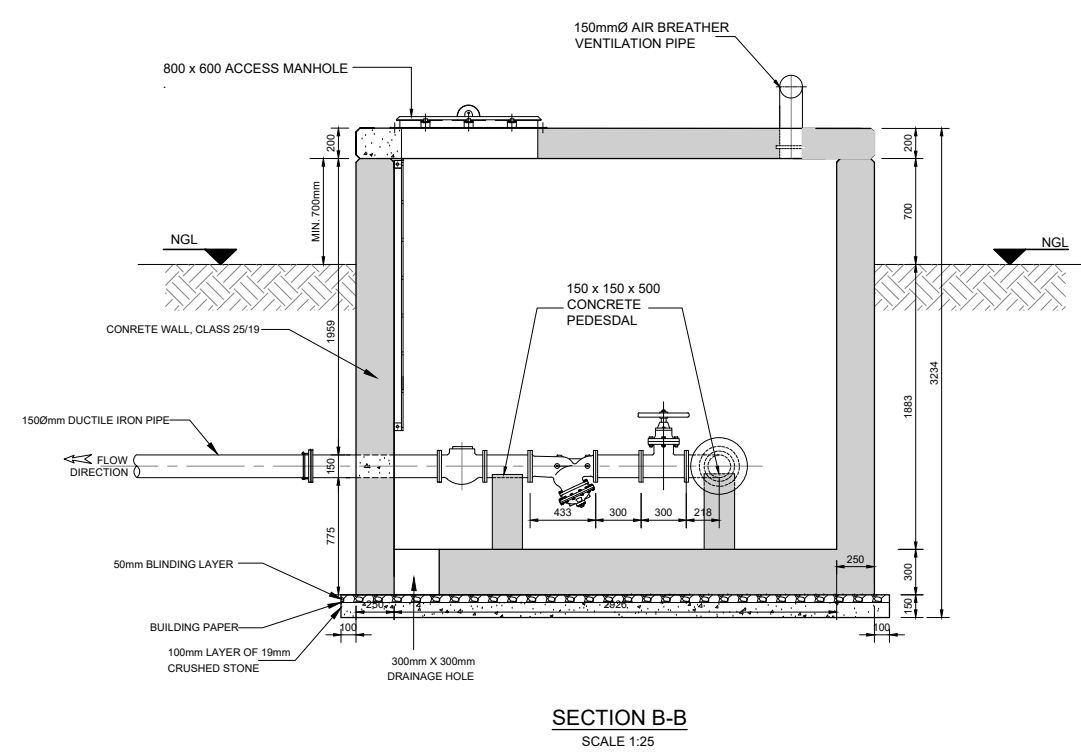
VILLAGE TAKEOFF VALVE CHAMBER NO. 1: TO MADAMALALA NORTH ELEVATED STEEL TANK

(Full signature)	VDM	20 / /	SCALE	1:25
For Consulting Engineer	VDM	20 / /	REVISION	0
DRAWING NUMBER	MC/VDM/BRU/VT01			

TYPICAL STEEL PIPE FITTINGS AND ITEM LIST (1600kPa MAX. WORKING PRESURE)				
ITEM NR.	DESCRIPTION	No. OFF	MATERIAL	DIMENSIONS
A	200mmØ 'KLAMFLEX COUPLING' (OR APPROVED SIMILAR) MILD STEEL FLANGE ADAPTOR, PN 16.	2	STEEL GRADE 300 WA	
B	200Ø x 850mm LONG STEEL PIPE, ONE END PLAIN AND THE OTHER END FLANGED TO TABLE 1600/3	2	STEEL GRADE 300 WA	
C	200Ømm FLANGED, WATERWORKS PATTERN, RESILIENT SEAL GATE VALVE, NON-RISING SPINDLE, CLOCKWISE CLOSING, BALL THRUST COLLAR AND HANDWHEEL ACCORDING TO SANS 664:1999, PN16. BOTH ENDS FLANGED TO TABLE 1600/3.	2	STEEL GRADE 300 WA	
E	200 x 200 x 150 ND FLANGED STEEL EQUAL TEE. BOTH ENDS FLANGED TO TABLE 1600/3	1	STEEL GRADE 300 WA	
F	150Ø x 850mm LONG STEEL PIPE, ONE END PLAIN AND THE OTHER END FLANGED TO TABLE 1600/3	1	STEEL GRADE 300 WA	
G	150mmØ 'KLAMFLEX COUPLING' (OR APPROVED SIMILAR) MILD STEEL FLANGE ADAPTOR, PN 16.	1	STEEL GRADE 300 WA	
H	150Ø x 300 mm LONG STEEL PIPE, BOTH ENDS FLANGED.	2	STEEL GRADE 300 WA	
I	150Ømm FLANGED, WATERWORKS PATTERN, RESILIENT SEAL GATE VALVE, NON-RISING SPINDLE, CLOCKWISE CLOSING, BALL THRUST COLLAR AND HANDWHEEL ACCORDING TO SANS 664:1999, PN16. BOTH ENDS FLANGED TO TABLE 1600/3.	1	STEEL GRADE 300 WA	
J	150Ø BERMAD 70F STRAINER (OR SIMILAR APPROVED), PN25, STAINLESS STEEL SCREEN & BASKET. ENDS FLANGED TO TABLE 1600/3.	2	STEEL GRADE 300 WA	
K	150Ø MEINECKE TURBINE COSMOS WPD WATER METER (OR SIMILAR APPROVED), PN16. BOTH ENDS FLANGED TO TABLE 1600/3.	2	STEEL GRADE 300 WA	
MISSCELLANEOUS FITTINGS				
a)	ACCESS LADDERS 1785 mm LONG, FABRICATED, MILD STEEL, HOT DIP GALVANISED ACCESS LADDER, COMPLETE WITH M16 x 100mm LONG HOT DIP GALVANISED ANCHOR BOLTS.	1		
b)	VENTILATORS FABRICATED, MILD STEEL, HOT DIP GALVANISED VENTILATORS, COMPLETE.	1 SET		
c)	MANHOLE COVER 800 x 600 mm FABRICATED, HOT DIP GALVANISED MANHOLE COVER AND FRAME, COMPLETE.	1		



ITEM No.	SHAPE	Ø (mm)	AMF-CODE	FLANGES	THREADED
1	ELBOW 90°M	150	-	a	b
2	TEE	150	0276	-	b,c
3	GMS PIPE	150	-	-	c



No.	DATE	REVISION	CONSULT	DIR	CHECKED BY	H.T.
					DESIGNED BY	H.T.
					CHECKED BY	H.T.
					DRAWN BY	T.M.
					CHECKED BY	H.T.

VHEMBE DISTRICT MUNICIPALITY

PRIVATE BAG X5006
THOHOYANDOU
0950
TEL. (015) 960 2000
FAX. (015) 962 1017

MORULA CONSULTING ENGINEERS

P. o. Box 2740
POLOKWANE
0700
CONSULTING ENGINEERS & PROJECT MANAGERS
"a new dawn"
TEL. (015) 296-4460
FAX. (015) 296-4103

VDM	DATE
CONSULTING ENGINEER	DATE

VHEMBE DISTRICT MUNICIPALITY PROJECT STATUS: TENDER

WATER SUPPLY-BULK AND RETICULATION UPGRADING OF NGWENANI THEMELI, NGULUMBI, NGOVHELA, MADAMALALA, PHINDULA, MAEMBANI AND MULEDZHI

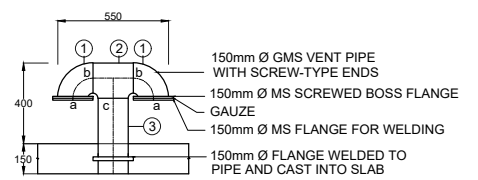
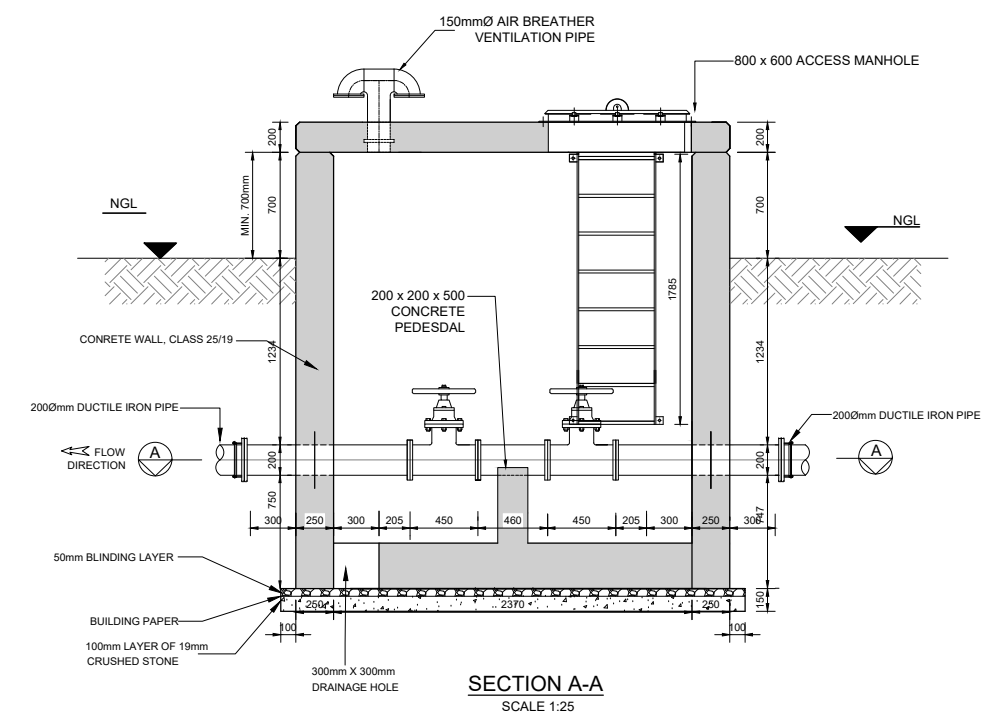
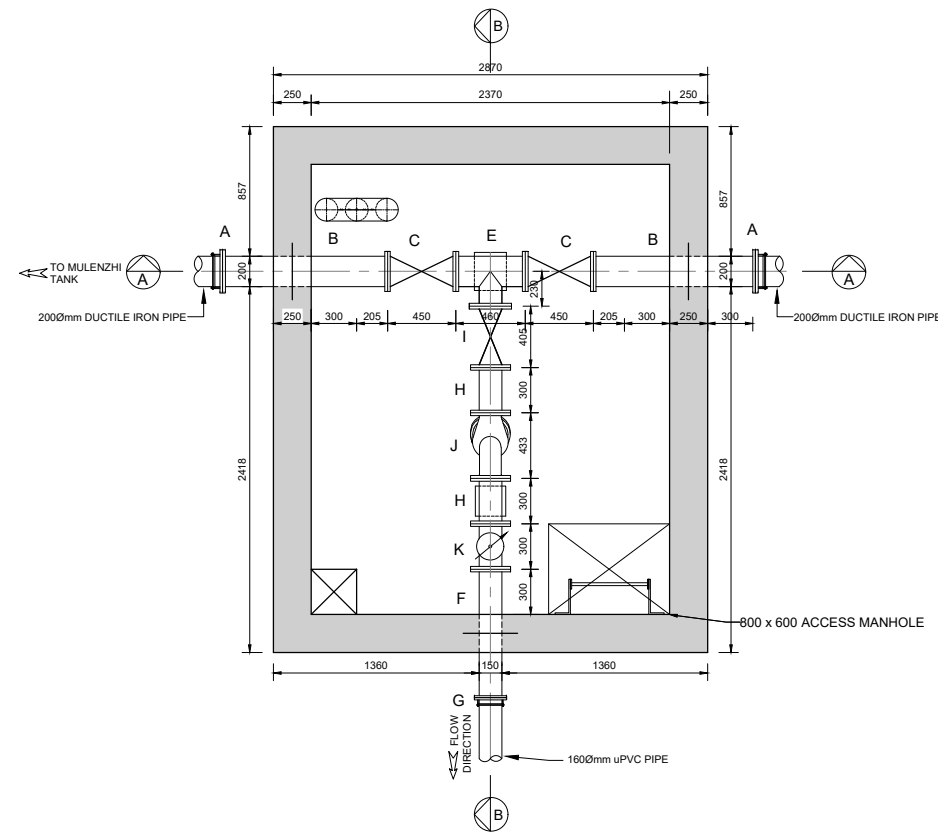
VILLAGE TAKEOFF VALVE CHAMBER NO. 1: TO PHINDULA ELEVATED STEEL TANK

(Full signature)	SCALE
VDM	1:25
For Consulting Engineer	REVISION
DRAWING NUMBER	0
MC/VDM/BRU/VT02	

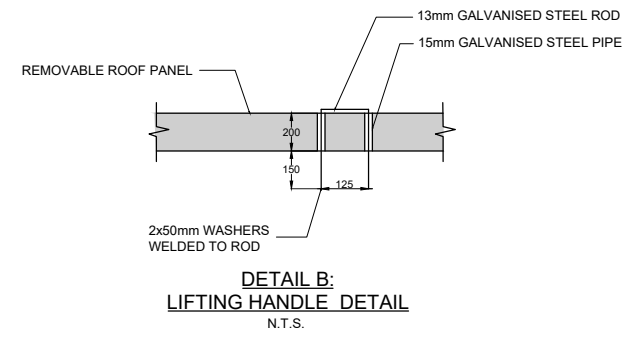
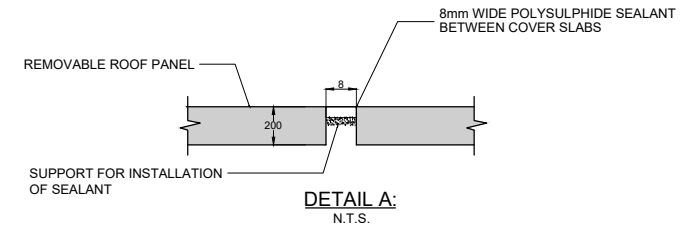
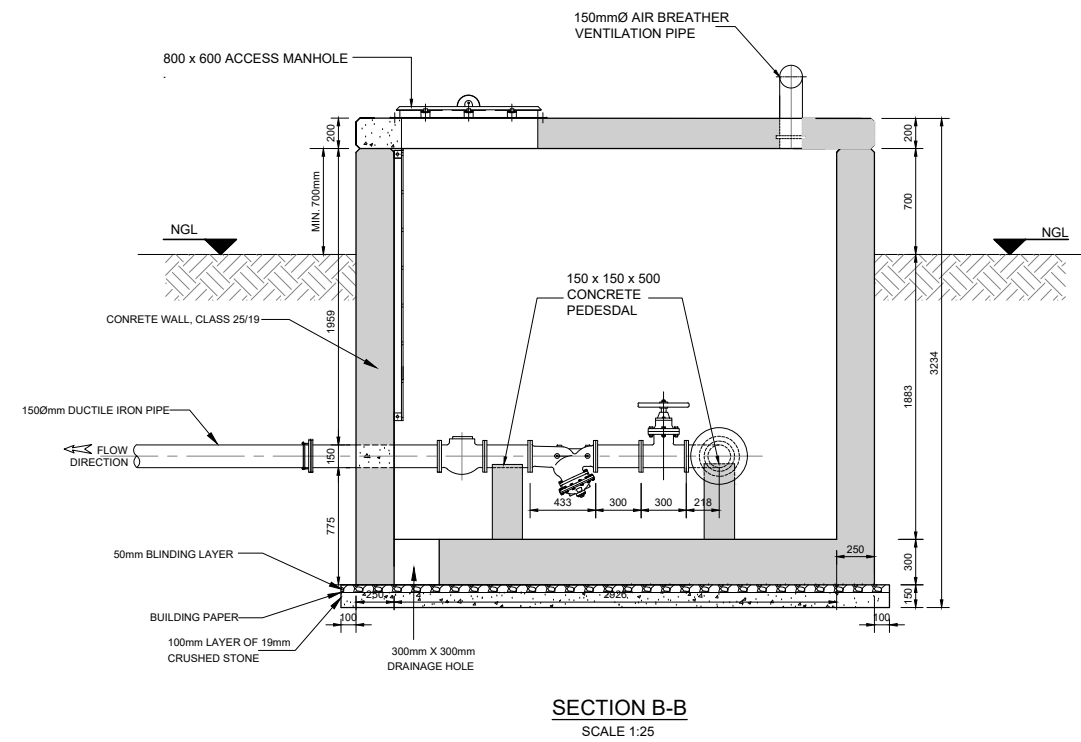
TYPICAL STEEL PIPE FITTINGS AND ITEM LIST
(1600kPa MAX. WORKING PRESURE)

ITEM NR.	DESCRIPTION	No. OFF	MATERIAL	DIMENSIONS
A	200mmØ 'KLAMFLEX COUPLING' (OR APPROVED SIMILAR) MILD STEEL FLANGE ADAPTOR, PN 16.	2	STEEL GRADE 300 WA	
B	200Ø x 850mm LONG STEEL PIPE, ONE END PLAIN AND THE OTHER END FLANGED TO TABLE 1600/3	2	STEEL GRADE 300 WA	
C	200Ømm FLANGED, WATERWORKS PATTERN, RESILIENT SEAL GATE VALVE, NON-RISING SPINDLE, CLOCKWISE CLOSING, BALL THRUST COLLAR AND HANDWHEEL ACCORDING TO SANS 664:1999, PN16. BOTH ENDS FLANGED TO TABLE 1600/3.	2	STEEL GRADE 300 WA	
E	200 x 200 x 150 ND FLANGED STEEL EQUAL TEE. BOTH ENDS FLANGED TO TABLE 1600/3	1	STEEL GRADE 300 WA	
F	150Ø x 850mm LONG STEEL PIPE, ONE END PLAIN AND THE OTHER END FLANGED TO TABLE 1600/3	1	STEEL GRADE 300 WA	
G	150mmØ 'KLAMFLEX COUPLING' (OR APPROVED SIMILAR) MILD STEEL FLANGE ADAPTOR, PN 16.	1	STEEL GRADE 300 WA	
H	150Ø x 300 mm LONG STEEL PIPE, BOTH ENDS FLANGED.	2	STEEL GRADE 300 WA	
I	150Ømm FLANGED, WATERWORKS PATTERN, RESILIENT SEAL GATE VALVE, NON-RISING SPINDLE, CLOCKWISE CLOSING, BALL THRUST COLLAR AND HANDWHEEL ACCORDING TO SANS 664:1999, PN16. BOTH ENDS FLANGED TO TABLE 1600/3.	1	STEEL GRADE 300 WA	
J	150Ø BERMAD 70F STRAINER (OR SIMILAR APPROVED), PN25, STAINLESS STEEL SCREEN & BASKET. ENDS FLANGED TO TABLE 1600/3.	2	STEEL GRADE 300 WA	
K	150Ø MEINECKE TURBINE COSMOS WPD WATER METER (OR SIMILAR APPROVED), PN16. BOTH ENDS FLANGED TO TABLE 1600/3.	2	STEEL GRADE 300 WA	

MISCELLANEOUS FITTINGS				
a)	ACCESS LADDERS 1785 mm LONG, FABRICATED, MILD STEEL, HOT DIP GALVANISED ACCESS LADDER, COMPLETE WITH M16 x 100mm LONG HOT DIP GALVANISED ANCHOR BOLTS.	1		
b)	VENTILATORS FABRICATED, MILD STEEL, HOT DIP GALVANISED VENTILATORS, COMPLETE.	1 SET		
c)	MANHOLE COVER 800 x 600 mm FABRICATED, HOT DIP GALVANISED MANHOLE COVER AND FRAME, COMPLETE.	1		



ITEM No.	SHAPE	Ø (mm)	AMF-CODE	FLANGES	THREADED
1	ELBOW 90°M	150	-	a	b
2	TEE	150	0276	-	b,c
3	GMS PIPE	150	-	-	c



No.	DATE	REVISION	CONSULT	DIR	CHECKED BY	H.T.

VHEMBE DISTRICT MUNICIPALITY

PRIVATE BAG X5006
THOHOYANDOU
0950
TEL. (015) 960 2000
FAX. (015) 962 1017

MORULA CONSULTING ENGINEERS

P. o. Box 2740
POLOKWANE
0700
CONSULTING ENGINEERS & PROJECT MANAGERS
"a new dawn"
TEL. (015) 296-4460
FAX. (015) 296-4103

VDM	DATE
CONSULTING ENGINEER	DATE

VHEMBE DISTRICT MUNICIPALITY PROJECT STATUS: TENDER

WATER SUPPLY-BULK AND RETICULATION UPGRADING OF NGWENANI THEMELI, NGULUMBI, NGOVHELA, MADAMALALA, PHINDULA, MAEMBANI AND MULEDZHI

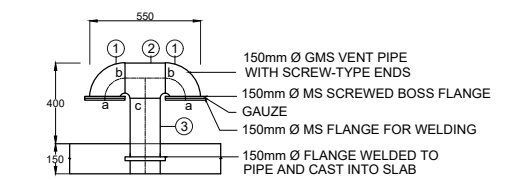
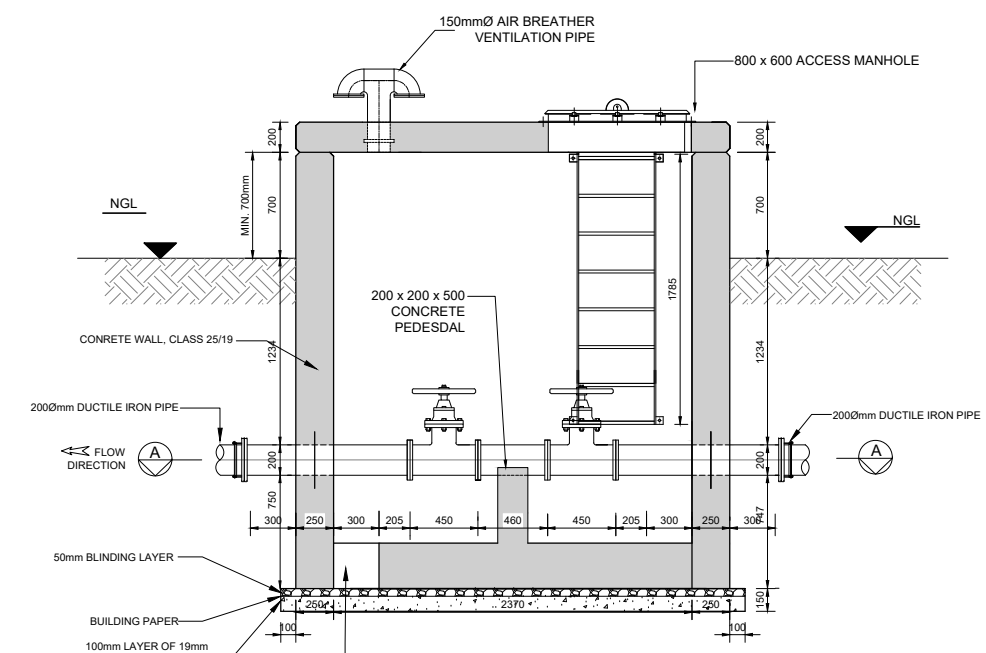
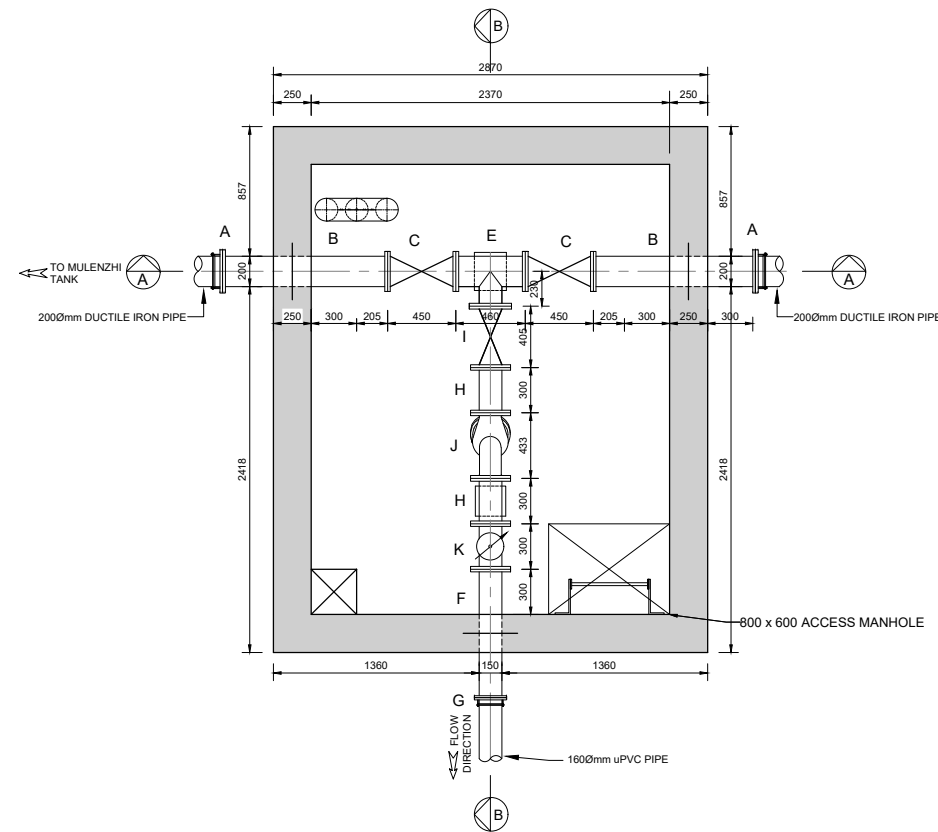
VILLAGE TAKEOFF VALVE CHAMBER NO. 1: TO NGOVHELA BACKSIDE ELEVATED STEEL TANK

(Full signature)	VDM	20 / /	SCALE	1:25
For Consulting Engineer	VDM	20 / /	REVISION	0
DRAWING NUMBER	MC/VDM/BRU/VT03			

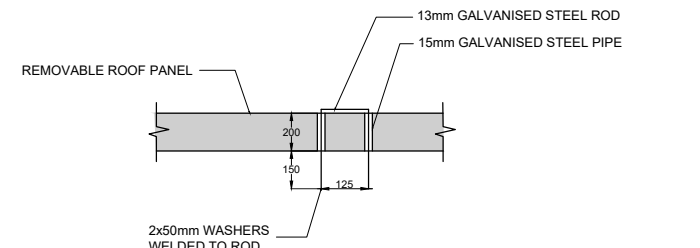
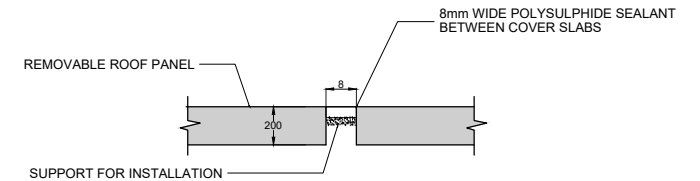
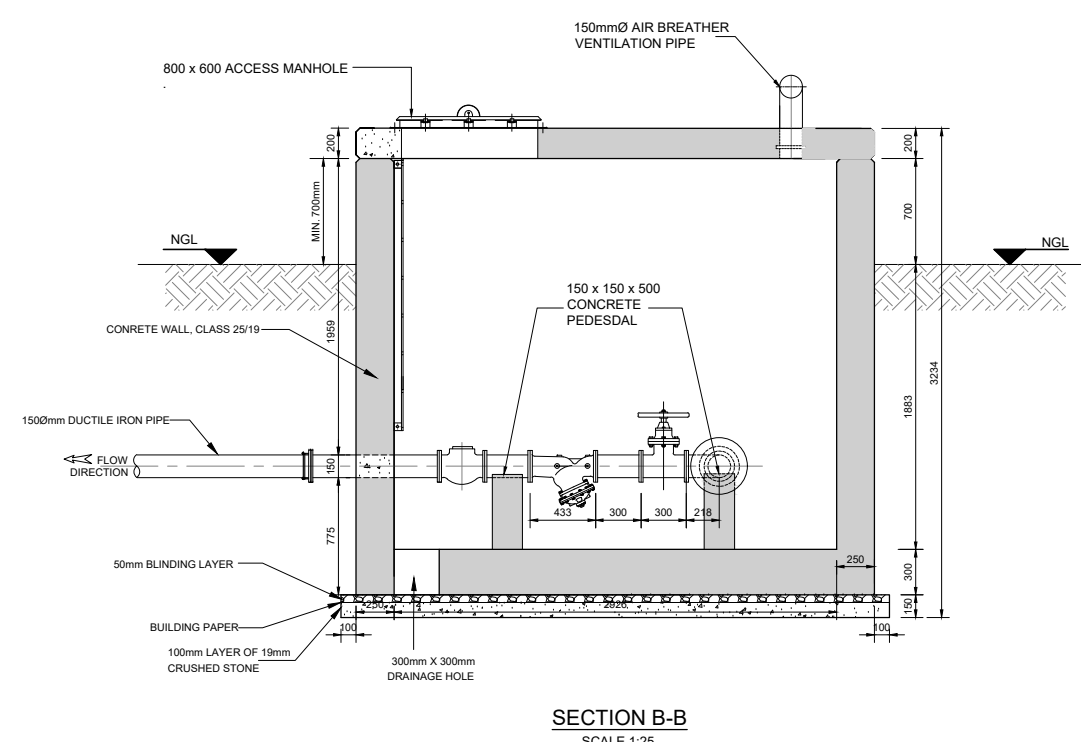
TYPICAL STEEL PIPE FITTINGS AND ITEM LIST
(1600kPa MAX. WORKING PRESURE)

ITEM NR.	DESCRIPTION	No. OFF	MATERIAL	DIMENSIONS
A	200mmØ 'KLAMFLEX COUPLING' (OR APPROVED SIMILAR) MILD STEEL FLANGE ADAPTOR, PN 16.	2	STEEL GRADE 300 WA	
B	200Ø x 850mm LONG STEEL PIPE, ONE END PLAIN AND THE OTHER END FLANGED TO TABLE 1600/3	2	STEEL GRADE 300 WA	
C	200Ømm FLANGED, WATERWORKS PATTERN, RESILIENT SEAL GATE VALVE, NON-RISING SPINDLE, CLOCKWISE CLOSING, BALL THRUST COLLAR AND HANDWHEEL ACCORDING TO SANS 664:1999, PN16. BOTH ENDS FLANGED TO TABLE 1600/3.	2	STEEL GRADE 300 WA	
E	200 x 200 x 150 ND FLANGED STEEL EQUAL TEE. BOTH ENDS FLANGED TO TABLE 1600/3	1	STEEL GRADE 300 WA	
F	150Ø x 850mm LONG STEEL PIPE, ONE END PLAIN AND THE OTHER END FLANGED TO TABLE 1600/3	1	STEEL GRADE 300 WA	
G	150mmØ 'KLAMFLEX COUPLING' (OR APPROVED SIMILAR) MILD STEEL FLANGE ADAPTOR, PN 16.	1	STEEL GRADE 300 WA	
H	150Ø x 300 mm LONG STEEL PIPE, BOTH ENDS FLANGED.	2	STEEL GRADE 300 WA	
I	150Ømm FLANGED, WATERWORKS PATTERN, RESILIENT SEAL GATE VALVE, NON-RISING SPINDLE, CLOCKWISE CLOSING, BALL THRUST COLLAR AND HANDWHEEL ACCORDING TO SANS 664:1999, PN16. BOTH ENDS FLANGED TO TABLE 1600/3.	1	STEEL GRADE 300 WA	
J	150Ø BERMAD 70F STRAINER (OR SIMILAR APPROVED), PN25, STAINLESS STEEL SCREEN & BASKET. ENDS FLANGED TO TABLE 1600/3.	2	STEEL GRADE 300 WA	
K	150Ø MEINECKE TURBINE COSMOS WPD WATER METER (OR SIMILAR APPROVED), PN16. BOTH ENDS FLANGED TO TABLE 1600/3.	2	STEEL GRADE 300 WA	

MISCELLANEOUS FITTINGS				
a)	ACCESS LADDERS 1785 mm LONG, FABRICATED, MILD STEEL, HOT DIP GALVANISED ACCESS LADDER, COMPLETE WITH M16 x 100mm LONG HOT DIP GALVANISED ANCHOR BOLTS.	1		
b)	VENTILATORS FABRICATED, MILD STEEL, HOT DIP GALVANISED VENTILATORS, COMPLETE.	1 SET		
c)	MANHOLE COVER 800 x 600 mm FABRICATED, HOT DIP GALVANISED MANHOLE COVER AND FRAME, COMPLETE.	1		



ITEM No.	SHAPE	Ø (mm)	AMF-CODE	FLANGES	THREADED
1	ELBOW 90°M	150	-	a	b
2	TEE	150	0276	-	b,c
3	GMS PIPE	150	-	-	c



No.	DATE	REVISION	CONSULT	DIR	CHECKED BY	H.T.

VHEMBE DISTRICT MUNICIPALITY

DESIGNED BY H.T.
CHECKED BY H.T.
DRAWN BY T.M.
CHECKED BY H.T.

MORULA CONSULTING ENGINEERS

PRIVATE BAG X5006
THOHOYANDOU
0950
TEL. (015) 960 2000
FAX. (015) 962 1017

P. o. Box 2740
POLOKWANE
0700
TEL. (015) 296-4460
FAX. (015) 296-4103

VHEMBE DISTRICT MUNICIPALITY PROJECT STATUS: TENDER
WATER SUPPLY-BULK AND RETICULATION UPGRADING OF NGWENANI THEMELI, NGULUMBI, NGOVHELA, MADAMALALA, PHINDULA, MAEMBANI AND MULEDZHI
VILLAGE TAKEOFF VALVE CHAMBER NO. 1: TO MAEMBENI ELEVATED STEEL TANK

(Full signature) _____
VDM 20 / /
For Consulting Engineer 20 / /
DRAWING NUMBER MC/VDM/BRU/VT04
REVISION 0

SHEET 1 OF 1
SCALE 1:25

PIPES AND SPECIALS : 1250 KI RESERVOIR :						
1 250 KI RESERVOIR						
ITEM NO.	QTY	DESCRIPTION	FLANGE DRILLING	ND AND WALL THICKNESS	PROTECTION LINING COATING	MATERIAL
		NOTE :- THESE SCHEDULES OF FITTINGS ARE TO BE READ IN CONJUNCTION WITH THE RELEVANT PLANS AND THE BILL OF QUANTITIES.				
A	2 no	FLANGE ADAPTOR UPVC FLANGE ADAPTOR	SANS 1 000/3	160 ND	E E	CAST IRON
B	2 no	STEEL PIPE 700 mm LONG, FLANGED, MILD STEEL PIPE HAVING PUDDLE FLANGE 405 mm FROM 'INCOMING' FLANGE FACE	SANS 1 000/3	150 ND t = 4,5 mm	E E	STEEL GRADE 300 WA
C	2 no	GATE VALVE 'AINSWORTH' (OR APPROVED SIMILAR) FLANGED, WATERWORKS PATTERN, RESILIENT SEAL GATE VALVE WITH TOTALLY ENCAPSULATED WEDGE, NON-RISING SPINDLE WITH BUSH THRUST COLLAR AND HANDWHEEL AND SUITABLE FOR 1 000 kPa PRESSURE ACCORDING TO SANS 664. FACE-TO-FACE = 280 mm	SANS 1 000/3	150 ND	E E	DUCTILE IRON
D	1 no	STEEL PIPE 250 mm LONG FLANGED, MILD STEEL PIPE	SANS 1 000/3	150 ND t = 4,5 mm	E E	STEEL GRADE 300 WA
E	1 no	CONTROL VALVE 'VAUTRIG' (OR APPROVED SIMILAR) FLANGED PLUNGER VALVE, SET ACCORDING TO ENGINEERS SITE INSTRUCTION. FACE-TO-FACE = 350 mm	SANS 1 000/3	150 ND	E E	DUCTILE CAST IRON
F	1 no	FLANGE ADAPTOR 'VIKING JOHNSON' (OR APPROVED SIMILAR) FLANGE ADAPTOR	SANS 1 000/3	150 ND	E E	STEEL GRADE 300 WA
G	1 no	STEEL PIPE 250 mm LONG STEEL PIPE FLANGED ON 'OUTGOING' END ONLY	SANS 1 000/3	150 ND t = 4,5 mm	E E	STEEL GRADE 300 WA
H	1 no	WATER METER 'SENSUS' (OR APPROVED SIMILAR) MODEL WP-DYNAMIC, TURBINE WATER METER, SUITABLE FOR COLD WATER AND 1 600 KPa PRESSURE. FACE-TO-FACE = 300 mm	SANS 1 600/3	150 ND	E E	CAST IRON
J	3 no	90 DEGREE STEEL BEND 90 DEGREE, FLANGED, MILD STEEL, LONG RADIUS BEND TO THE FOLLOWING DIMENSIONS: a) CENTRE-TO-FACE = 230 mm AND b) RADIUS = 228,6 mm	SANS 1 000/3	150 ND t = 4,5 mm	E E	STEEL GRADE 300 WA
K	1 no	STEEL PIPE 4 700 mm LONG FLANGED, MILD STEEL PIPE	SANS 1 000/3	150 ND t = 4,5 mm	E E	STEEL GRADE 300 WA
L	1 no	STEEL PIPE 380 mm LONG, FLANGED, MILD STEEL PIPE, HAVING PUDDLE FLANGE 290 mm FROM 'INCOMING' FLANGE FACE	SANS 1 000/3	150 ND t = 4,5 mm	E E	STEEL GRADE 300 WA
M	1 no	EQUILIBRIUM FLOAT VALVE 'VOSA' (OR APPROVED SIMILAR) EQUILIBRIUM FLOAT VALVE, MODEL 7354, COMPLETE WITH 150 ND x 750 mm LONG MILD STEEL PIPE PIECE, FLANGED ON 'INCOMING' END ONLY, FITTED TO DISCHARGE FLANGE OF VALVE	SANS 1 000/3	150 ND t = 4,5 mm	E E	CAST IRON

PIPES AND SPECIALS : 1250 KI RESERVOIR :						
1 250KI RESERVOIR (CONTINUED)						
ITEM NO.	QTY	DESCRIPTION	FLANGE DRILLING	ND AND WALL THICKNESS	PROTECTION LINING COATING	MATERIAL
N	1 no	90 DEGREE STEEL BELLMOUTH BEND 90 DEGREE, PLAIN ENDED, MILD STEEL, LONG RADIUS BEND TO THE FOLLOWING DIMENSIONS: a) CENTRE-TO-PLAIN 'INCOMING' END = 950 mm; b) CENTRE-TO-PLAIN 'OUTGOING' END = 1 530 mm AND c) RADIUS = 228,6 mm. FITTING TO HAVE PUDDLE FLANGE 150 mm FROM PLAIN 'INCOMING' END AS WELL AS A 300 ND x 150 ND BELLMOUTH, 75 mm LONG, FIXED TO PLAIN 'INCOMING' END GIVING THE 'INCOMING' 'BELLMOUTH' END A TOTAL DIMENSION = 1 025 mm	SANS 1 000/3	150 ND t = 4,5 mm	E E	STEEL GRADE 300 WA
P	2 no	STEEL ECCENTRIC REDUCER 350 mm LONG, FLANGED, MILD STEEL, ECCENTRIC REDUCER, REDUCING FROM 150 ND TO 100 ND OVER A DISTANCE OF 350 mm	SANS 1 000/3	150 ND t = 4,5 mm	E E	STEEL GRADE 300 WA
Q	2 no	STEEL PIPE 750 mm LONG, FLANGED, MILD STEEL PIPE, HAVING PUDDLE FLANGE 390 mm FROM 'INCOMING' FLANGE FACE	SANS 1 000/3	100 ND t = 4,5 mm	E E	STEEL GRADE 300 WA
R	1 no	GATE VALVE 'AINSWORTH' (OR APPROVED SIMILAR) FLANGED, WATERWORKS PATTERN, RESILIENT SEAL GATE VALVE WITH TOTALLY ENCAPSULATED WEDGE, NON-RISING SPINDLE WITH BUSH THRUST COLLAR AND HANDWHEEL AND SUITABLE FOR 1 000 kPa PRESSURE ACCORDING TO SANS 664. FACE-TO-FACE = 254 mm	SANS 1 000/3	100 ND	E E	DUCTILE IRON
S	1 no	FLANGE ADAPTOR 'VIKING JOHNSON' (OR APPROVED SIMILAR) FLANGE ADAPTOR	SANS 1 000/3	100 ND	E E	STEEL GRADE 300 WA
T	1 no	STEEL PIPE 300 mm LONG STEEL PIPE FLANGED ON 'OUTGOING' END ONLY	SANS 1 000/3	100 ND t = 4,5 mm	E E	STEEL GRADE 300 WA
U	1 no	WATER METER 'SENSUS' (OR APPROVED SIMILAR) MODEL WP-DYNAMIC, TURBINE WATER METER, SUITABLE FOR COLD WATER AND 1 600 KPa PRESSURE. FACE-TO-FACE = 250 mm	SANS 1 600/3	100 ND	E E	CAST IRON
V	1 no	90 DEGREE STEEL BEND 90 DEGREE, MILD STEEL BEND, FLANGED ON 'OUTGOING' END ONLY, TO THE FOLLOWING DIMENSIONS: a) CENTRE-TO-PLAIN 'INCOMING' END = 920 mm; b) CENTRE-TO-FACE 'OUTGOING' END = 2 445 mm AND c) RADIUS = 228,6 mm. FITTING TO HAVE 1 x PUDDLE FLANGE 120 mm FROM PLAIN 'INCOMING' END AND 1 x PUDDLE FLANGE 225 mm FROM 'OUTGOING' FLANGE FACE	SANS 1 000/3	150 ND t = 4,5 mm	E E	STEEL GRADE 300 WA
W	1 no	STEEL PIPE 420 mm LONG, FLANGED, MILD STEEL PIPE HAVING PUDDLE FLANGE 295 mm FROM 'INCOMING' FLANGE FACE	SANS 1 000/3	150 ND t = 4,5 mm	E E	STEEL GRADE 300 WA
X	1 no	STEEL BELLMOUTH PIPE 300 mm LONG MILD STEEL PIPE FLANGED ON 'OUTGOING' END ONLY, AND HAVING A 300 ND x 200 ND BELLMOUTH INLET 100 mm LONG FIXED TO PLAIN 'INCOMING' END. OVERALL LENGTH OF FITTING = 4 000 mm	SANS 1 000/3	200 ND t = 4,5 mm	E E	STEEL GRADE 300 WA
Y	1 no	90 DEGREE STEEL BEND 90 DEGREE, MILD STEEL, LONG RADIUS, MILD STEEL BEND, FLANGED ON 'INCOMING' END ONLY, TO THE FOLLOWING DIMENSIONS: a) CENTRE-TO-FACE 'INCOMING' END = 1 095 mm; b) CENTRE-TO-PLAIN 'OUTGOING' END = 2 330 mm AND c) RADIUS = 304,8 mm. FITTING TO HAVE 1 x PUDDLE FLANGE 300 mm FROM FLANGED 'INCOMING' END AND 1 x PUDDLE FLANGE 125 mm FROM PLAIN 'OUTGOING' END	SANS 1 000/3	200 ND t = 4,5 mm	E E	STEEL GRADE 300 WA

TABLE CONTINUES ON THE NEXT PLAN

No	DATE	REVISION	CONSULT	DIR

DESIGNED BY	H.T.
CHECKED BY	H.T.
DRAWN BY	T.M.
CHECKED BY	H.T.

VHEMBE DISTRICT MUNICIPALITY



PRIVATE BAG X5006
THOHOYANDOU
0950
TEL. (015) 960 2000
FAX. (015) 962 1017

MORULA CONSULTING ENGINEERS



P. o. Box 2740
POLOKWANE
0700
CONSULTING ENGINEERS & PROJECT MANAGERS
"a new dawn"
TEL. (015) 296-4460
FAX. (015) 296-4103

VDM	DATE
CONSULTING ENGINEER	DATE

VHEMBE DISTRICT MUNICIPALITY PROJECT STATUS: TENDER

WATER SUPPLY-BULK AND RETICULATION UPGRADING OF NGWENANI THEMELI, NGULUMBI, NGOVHELA, MADAMALALA, PHINDULA, MAEMBANI AND MULEDZHI

1250KI RESERVOIR : SHEET 1 OF 2 : MECHANICAL DETAILS

(Full signature)	SHEET 1 OF 1
SCALE	AS SHOWN
DRAWING NUMBER	REVISION
MC/VDM/BRU/CR06	0

PIPES AND SPECIALS : 1250 KI RESERVOIR :									
TABLE CONTINUED FROM PREVIOUS PLAN									
1 250 KI RESERVOIR (CONTINUED)									
ITEM NO.	QTY	DESCRIPTION	FLANGE DRILLING	ND AND WALL THICKNESS	PROTECTION		MATERIAL	FITTING DETAIL	
					LINING	COATING			
		NOTE :- THESE SCHEDULES OF FITTINGS ARE TO BE READ IN CONJUNCTION WITH THE RELEVANT PLANS AND THE BILL OF QUANTITIES.							
Z	14 m	UPVC PIPE UPVC CLASS 4 PIPING. (LENGTH PROVISIONAL - EXACT LENGTH TO BE DETERMINED ON SITE)		315 ND t = 6,2 mm			STEEL uPVC		
AA	28 m	HDPE PIPE HDPE TYPE IV CLASS 6 PIPE. (LENGTH PROVISIONAL - EXACT LENGTH, TO BE DETERMINED ON SITE)		110 ND t = 6,6 mm			HDPE		
MISCELLANEOUS FITTINGS									
ITEM NO.	QTY	DESCRIPTION	FLANGE DRILLING	ND AND WALL THICKNESS	PROTECTION		MATERIAL	FITTING DETAIL	
					LINING	COATING			
	4 no	1) ROOF DRAIN PIPE 450 mm LONG DRAIN PIPE COMPLETE AS SPECIFIED ON PLAN NO. 9514S8.31.1		75 ND	G	G	GRADE 300 WA		
	4 sets	2) HANDRAILING "MACLOCK" (OR APPROVED SIMILAR) HOT DIP GALVANISED, TUBULAR TYPE, CURVED HANDRAILING (9,14 m RADIUS) COMPLETE WITH 2 x ENDS AND 2 x PLATFORM MOUNTED STANCHIONS (1,0 m HIGH). OVERALL LENGTH OF UNIT TO BE 2,5 m LONG				G	STEEL GRADE 300 WA		
	4 no	3) ROOF VENTILATOR FABRICATED MILD STEEL ROOF VENTILATOR COMPLETE AS DETAILED ON PLAN NO. 9514S8.31.2	SANS 1 000/3	150 ND t = 4,5 mm	G	G	STEEL GRADE 300 WA		
	6 no	4) MANHOLE COVER AND FRAME 900 x 600 mm FABRICATED MILD STEEL MANHOLE COVER AND FRAME COMPLETE AS DETAILED ON PLAN NO. 9514S8.50.31.5				G	STEEL GRADE 300 WA		
	1 no	5) HOLDERBAT FABRICATED MILD STEEL TYPE 1 HOLDERBAT COMPLETE AS DETAILED ON PLAN NO. 9514S8.31.2				G	STEEL GRADE 300 WA		
	1 no	6) ACCESS LADDERS FABRICATED ACCESS LADDERS COMPLETE AS DETAILED ON PLAN NO. 9514S8.31.4 AND 9514S8.31.5 ii) TYPE 1 : 6 006 mm LONG WITH SAFETY CAGE				G	STEEL GRADE 300 WA		
	1 no	iii) TYPE 2 : 4 165 mm LONG				G	3CR12		
	3 no	iii) TYPE 3 : 1 265 mm LONG				G	STEEL GRADE 300 WA		
	1 no	iv) TYPE 4 : 1 565 mm LONG				G	STEEL GRADE 300 WA		
	61 m	7) UNDER FLOOR DRAINAGE 180 PIPE GEO PIPE UNDER FLOOR DRAINAGE SYSTEM FOR THE COMPLETE INSTALLATION (EXACT LENGTH TO BE DETERMINED ON SITE)		80 ND			HDPE		
	6 no	8) PADLOCK 60 mm BRASS, KEY-ALIKE PADLOCK, HAVING A 10 mm DIAMETER HARDENED SHACKLE, WITH 3 X KEYS					BRASS		
	4 no	9) CONCRETE HAUNCHING MASS CONCRETE (CLASS 20/19) BELOW ALL GATE VALVES AND FLOW CONTROL VALVE. APPROXIMATE SIZE OF BLOCK = 250 mm LONG x 300 mm WIDE x 400 mm HIGH							

SCHEDULE OF MECHANICAL EQUIPMENT PIPEWORK & FITTINGS

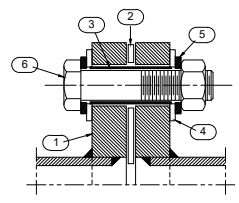
THESE NOTES APPLY TO ALL THE SCHEDULES HEREFOLLOWING:

- THE FOLLOWING SHALL BE THE MINIMUM WALL THICKNESSES FOR PIPES OF NOMINAL OUTSIDE DIAMETER :-
a) 400 mm DN AND SMALLER DIAMETERS : 4,5 mm
b) 450 mm AND UP TO 550 mm ND : 4,5 mm
 - ALL FLANGES TO BE DRILLED SANS 1123-2003 (EDITION 3) TABLES 1000/3; 1600/3; 2500/3; 4000/3 AS DETAILED AND REFERRED TO AS 1000/3; 1600/3; 2500/3 AND 4000/3 IN THE SCHEDULE OF FITTINGS
 - MAKE OF ALL VALVES TO BE APPROVED BY ENGINEER IN WRITING
 - THE LENGTHS OF PIPES AND FITTINGS ARE APPROXIMATE DIMENSIONS FOR PACKINGS, GASKETS AND GAPS BETWEEN PIPEWORK - PROVISION FOR THESE TO BE MADE BY SUPPLIERS
 - NO ALLOWANCES HAVE BEEN MADE IN PIPE AND FITTING DIMENSIONS FOR PACKINGS, GASKETS AND GAPS BETWEEN PIPEWORK - PROVISION FOR THESE TO BE MADE BY SUPPLIERS
 - FLANGE HOLES TO BE DRILLED TO ALLOW EXACT ALIGNMENT VERTICALLY AND HORIZONTALLY, AS DETAILED ON THE DRAWINGS, OF ALL PIPEWORK AND EQUIPMENT
 - WHERE PLAIN ENDS, FOR FLEXIBLE COUPLINGS, ARE CALLED FOR ON STEEL PIPES, THE DIMENSIONS OF SUCH PLAIN ENDS AND THE CORRESPONDING FLEXIBLE COUPLINGS ARE TO BE MATCHED
 - ALL WELDING TO BE FULL STRENGTH, FULL PENETRATION
 - RADI APPLICABLE TO PIPE PEDESTALS AND STRAPS TO BE VERIFIED FOR FULL SUPPORT OF PIPE OVER ENTIRE SUPPORT AND STRAPPING AREA
 - CORROSION PROTECTION TO BE IN ACCORDANCE WITH SPECIFICATIONS, AS SET OUT IN THE CONTRACT DOCUMENT
- LEGEND OF CORROSION PROTECTION TREATMENT AS FOLLOWS:
G : GALVANISING
ET : EPOXY TAR
EC : EPOXY COATING
D : DENSO TAPE WRAPPING
P : PAINTING
- GALVANISING - WHERE GALVANISING IS SPECIFIED IT SHALL BE CARRIED OUT BY THE HOT DIP PROCESS TO PROVIDE A MINIMUM THICKNESS OF ZINC COATING OF 105 MICRON IN ACCORDANCE WITH SANS ISO 1461 AND SANS ISO 14713 (AS AMENDED)
 - TWO PACK EPOXY - PRIOR TO EPOXY COATING OR LINING TAKING PLACE, ALL PIPES AND FITTINGS SHALL BE PREPARED AND TREATED IN ACCORDANCE WITH DWS 9900 SECTIONS C1 AND C3 AND PARTICULAR SPECIFICATION IN THE DOCUMENT. THE EPOXY COATING/LINING SHALL BE APPLIED IN THE WORKSHOP BY SPRAYING TO A FINAL DRY FILM THICKNESS OF NOT LESS THAN 400 MICRON. AFTER INSTALLATION ANY CHIPS OR SCRATCHES SHALL BE MADE GOOD ON SITE WITH BRUSH APPLIED EPOXY PAINT, WHEREAFTER A FINAL TOP COAT, ACCORDING TO THE STANDARD DWAF COLOUR CODING SYSTEM, SHALL BE APPLIED TO ALL EXPOSED EPOXY COATED SURFACES TO A MINIMUM DRY FILM THICKNESS OF 30 MICRON.
 - ALL BURIED PIPELINES ARE TO BE TREATED AS SPECIFIED AND ARE TO THEN BE TAPE WRAPPED ACCORDING TO DWAF SPECIFICATION DWS 9900 SECTION C1, ITEM 11 - TAPE WRAP SYSTEM

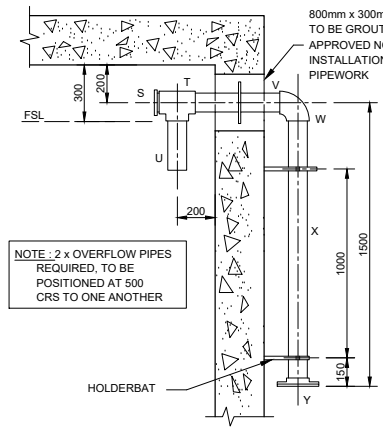
- THESE SCHEDULES TO BE READ IN CONJUNCTION WITH THE DRAWINGS AND SPECIFICATIONS
 - ALL LEVELS TO BE VERIFIED ON SITE PRIOR TO THE COMMENCEMENT OF ANY WORK, AND THE ENGINEER TO BE NOTIFIED IN CASE OF ANY DISCREPANCIES
 - ALL PACKINGS, NUTS, BOLTS AND WASHERS TO BE SUPPLIED WITH FITTINGS TO ENSURE THE COMPLETE INSTALLATION AND CORRECT OPERATION OF THE ENTIRE PUMPING EQUIPMENT AND/OR PIPEWORK INSTALLATION
 - ALTHOUGH THE USE OF FINE THREAD NUTS AND BOLTS IS SOUND ENGINEERING PRACTICE FOR COUPLING OF FLANGED FITTINGS, IT IS NOT OBLIGATORY. THE ONUS REMAINS ON THE CONTRACTOR TO ENSURE A DRIP TIGHT FIT WITHOUT WARPING OF FLANGES
 - ALL BOLTED CONNECTIONS TO BE PETROLATUM COATED, IN ACCORDANCE WITH DWAF STANDARD SPECIFICATION DWS 9900, SECTIONS C1 AND C3
 - FASTENERS : ALL FASTENERS, UNLESS OTHERWISE SPECIFIED, ARE TO BE MILD STEEL, HOT DIP GALVANISED, WITH THREADS COATED WITH MOLYBDENUM DISULPHIDE LUBRICANT
 - ALL HOT DIP GALVANISED MILD STEEL BOLT AND NUT THREADS ARE TO BE COATED WITH MOLYBDENUM DISULPHIDE LUBRICANT OR WAX, AND ALL STAINLESS STEEL BOLT AND NUT THREADS ARE TO BE COATED WITH NICKEL ANTI-SIZE COMPOUND PRIOR TO FASTENING
- NOTE:
STAINLESS STEEL FASTENERS TO BE USED ON STAINLESS STEEL CONNECTIONS AS WELL AS CONNECTIONS OF STAINLESS STEEL TO MILD STEEL, COMPLETE WITH INSULATING GASKET SETS AT THESE "DISLIKE" CONNECTIONS
- SPECIFIED DIMENSIONS OF BOLT HOLES IN ANY STEEL MEMBER AND ROUND WASHERS
a) BOLT HOLE
- | | | | | | | | | | |
|----------------|-----|----|-----|------|------|-----|-----|-----|-----|
| Bolt Size | M6 | M8 | M10 | M12 | M16 | M20 | M24 | M30 | M36 |
| Hole Dia (max) | 6,6 | 9 | 11 | 13,5 | 17,5 | 22 | 26 | 33 | 39 |
- ROUND WASHERS
- | | | | | | | | | | |
|-------------------|-------|------|------|------|------|------|------|------|-----|
| Bolt Size | M6 | M8 | M10 | M12 | M16 | M20 | M24 | M30 | M36 |
| Thickness (min) | 1,6 | 1,6 | 2 | 2,5 | 3 | 3 | 4 | 4 | 5 |
| Outside Dia (min) | 12,5 | 17 | 21 | 24 | 30 | 37 | 44 | 56 | 66 |
| Hole Dia (max) | 6,6 | 9 | 11 | 14 | 18 | 22 | 26 | 33 | 39 |
| Tolerance On | +0,18 | 0,22 | 0,27 | 0,27 | 0,33 | 0,33 | 0,33 | 0,62 | |
| Hole Dia | -0 | 0 | 0 | 0 | 0 | 0 | 0 | 0 | |
- STEEL PIPES & FITTINGS
ALL STEEL PIPES AND FITTINGS IN CONFORMITY WITH SANS 719/2002
GRADE B WITH DESIGN YIELD STRESS OF 241 Mpa

FLOOR	ITEM No.	MARK No.	TOT. No.	DIA.	c/c	LENGTH	SHAPE CODE	A	B	C	D	E/r	MASS
	A1	4	Y 16	200	4250	20	4250						
	A2	4	Y 16	200	5750	20	5750						
	A3	4	Y 16	200	6900	20	6900						
	A4	4	Y 16	200	7900	20	7900						
	A5	4	Y 16	200	8750	20	8750						
	A6	4	Y 16	200	9500	20	9500						
	A7	4	Y 16	200	10150	20	10150						
	A8	4	Y 16	200	10800	20	10800						
	A9	4	Y 16	200	11400	20	11400						
	A10	4	Y 16	200	11900	20	11900						
	A11	4	Y 16	200	12400	20	12400						
	A12	4	Y 16	200	12900	20	12900						
	A13	8	Y 16	200	7200	20	7200						
	A14	8	Y 16	200	7450	20	7450						
	A15	8	Y 16	200	7650	20	7650						
	A16	8	Y 16	200	7800	20	7800						
	A17	8	Y 16	200	8000	20	8000						
	A18	8	Y 16	200	8150	20	8150						
	A19	8	Y 16	200	8300	20	8300						
	A20	8	Y 16	200	8450	20	8450						
	A21	8	Y 16	200	8600	20	8600						
	A22	8	Y 16	200	8750	20	8750						
	A23	8	Y 16	200	8850	20	8850						
	A24	8	Y 16	200	9000	20	9000						
	A25	8	Y 16	200	9100	20	9100						
	A26	8	Y 16	200	9200	20	9200						
	A27	8	Y 16	200	9300	20	9300						
	A28	8	Y 16	200	9400	20	9400						
	A29	8	Y 16	200	9500	20	9500						
	A30	8	Y 16	200	9600	20	9600						
	A31	8	Y 16	200	9650	20	9650						
	A32	8	Y 16	200	9750	20	9750						
	A33	8	Y 16	200	9800	20	9800						
	A34	8	Y 16	200	9850	20	9850						
	A35	8	Y 16	200	9900	20	9900						
	A36	8	Y 16	200	10000	20	10000						
	A37	8	Y 16	200	10025	20	10025						
	A38	8	Y 16	200	10050	20	10050						
	A39	8	Y 16	200	10100	20	10100						
	A40	8	Y 16	200	10150	20	10150						
	A41	8	Y 16	200	10175	20	10175						
	A42	8	Y 16	200	10200	20	10200						
	A43	8	Y 16	200	10225	20	10225						
	A44	8	Y 16	200	10250	20	10250						
	A45	8	Y 16	200	10275	20	10275						
	A46	8	Y 16	200	10300	20	10300						
	A47	8	Y 16	200	10325	20	10325						
	A48	8	Y 16	200	10350	20	10350						
	B	120	Y 16	200	3000	20	3000						
	C1	4	Y 10	200	6500	20	6500						
	C2	4	Y 10	200	7350	20	7350						
	C3	4	Y 10	200	8100	20	8100						
	C4	4	Y 10	200	8750	20	8750						
	C5	4	Y 10	200	9400	20	9400						
	C6	4	Y 10	200	10000	20	10000						
	C7	4	Y 10	200	10500	20	10500						
	C8	4	Y 10	200	11000	20	11000						
	C9	4	Y 10	200	11500	20	11500						
	C10	8	Y 10	200	6300	20	6300						
	C11	8	Y 10	200	6550	20	6550						
	C12	8	Y 10	200	6700	20	6700						
	C13	8	Y 10	200	6900	20	6900						
	C14	8	Y 10	200	7100	20	7100						
	C15	8	Y 10	200	7250	20	7250						
	C16	8	Y 10	200	7400	20	7400						
	C17	8	Y 10	200	7550	20	7550						
	C18	8	Y 10	200	7700	20	7700						
	C19	8	Y 10	200	7850	20	7850						
	C20	8	Y 10	200	7950	20	7950						
	C21	8	Y 10	200	8100	20	8100						
	C22	8	Y 10	200	8200	20	8200						
	C23	8	Y 10	200	8300	20	8300						
	C24	8	Y 10	200	8400	20	8400						
	C25	8	Y 10	200	8500	20	8500						
	C26	8	Y 10	200	8600	20	8600						
	C27	8	Y 10	200	8700	20	8700						
	C28	8	Y 10	200	8750	20	8750						
	C29	8	Y 10	200	8850	20	8850						
	C30	8	Y 10	200	8900	20	8900						
	C31	8	Y 10	200	8950	20	8950						
	C32	8	Y 10	200	9000	20	9000						
	C33	8	Y 10	200	9100	20	9100						
	C34	8	Y 10	200	9125	20	9125						
	C35	8	Y 10	200	9150	20	9150						
	C36	8	Y 10	200	9200	20	9200						
	C37	8	Y 10	200	9250	20	9250						
	C38	8	Y 10	200	9275	20	9275						
	C39	8	Y 10	200	9300	20	9300						
	C40	8	Y 10	200	9325	20	9325						
	C41	8	Y 10	200	9350	20	9350						
	C42	8	Y 10	200	9375	20	9375						
	C43	8	Y 10	200	9400	20	9400						
	C44	8	Y 10	200	9425	20	9425						

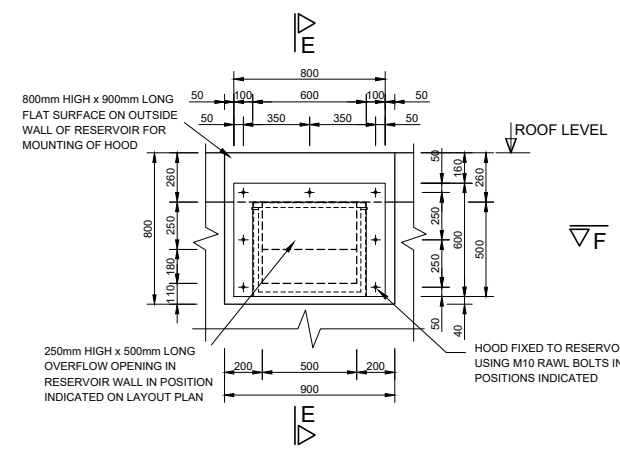
FLOOR	ITEM No.	MARK No.	TOT. No.	DIA.	c/c	LENGTH	SHAPE CODE	A	B	C	D	E/r	MASS
	C45	8	Y 10	200	9450	20	9450						
	D	120	Y 10	200	3000	20	3000						
	E	306	Y 10	200	1500	20	1500						
	F	80	Y 10	200	13000	20	13000						
	G	464	Y 20	125	2050	37	500						
	H	456	Y 20	125	2350	37	800						
	J	920	Y 16	125	3000	20	3000						
	K	920	Y 12	125	2600	20	2600						
	M	400	Y 16	125	12700	20	12700						
	N	12	48	Y 16	1650	37	300						
	P	6	24	Y 16	4800	20	4800	175	2275				
	Q	3	12	R 8	12300	86	300						
	R	18	72	R 8	250	1150	99						
	U1	8	Y 10	200	4450	20	4450						
	U2	8	Y 10	200	5700	20	5700						
	U3	8	Y 10	200	6700	20	6700						
	U4	8	Y 10	200	7600	20	7600						
	U5	8	Y 10	200	8400	20	8400						
	U6	8	Y 10	200	9050	20	9050						
	U7	8	Y 10	200	9700	20	9700						
	U8	8	Y 10	200	10300	20	10300						
	U9	8	Y 10	200	10800	20	10800						
	U10	8	Y 10	200	11300	20	11300						
	U11	8	Y 10	200	11800	20	11800						
	U12	8	Y 10	200	12200	20	12200						
	U13	8	Y 10	200	12600	20	12600						
	U14	8	Y 10	200	13000	20	13000						
	U15	16	Y 10	200	7000	20	7000						
	U16	16	Y 10	200	7200	20	7200						
	U17	16	Y 10	200	7350	20	7350						
	U18	16	Y 10	200	7500	20	7500						
	U19	16	Y 10	200	7650	20	7650						
	U20	16	Y 10	200	7800	20	7800						
	U21	16	Y 10	200	7950	20	7950						
	U22	16	Y 10	200	8050	20	8050						
	U23	16	Y 10	200	8250	20	8250						
	U24	16	Y 10	200	8275	20	8275						
	U25	16	Y 10	200	8300	20	8300						
	U26	16	Y 10	200	8325	20	8325						
	U27	16	Y 10	200	8350	20	8350						
	U28	16	Y 10	200	8400	20	8400						
	U29	16	Y 10	200	8425	20	8425						
	V1	4	Y 16	150	8400	20	8400						



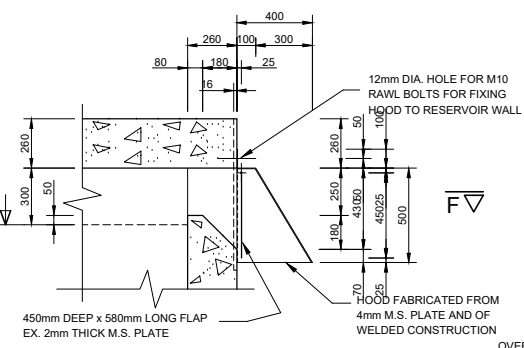
- FLANGE INSULATING MATERIAL**
- FLANGES:**
FULL FACE PLATE FLANGES AS SPECIFIED, MACHINED ON FRONT, BACK AND OUTSIDE FACES. FLANGES TO BE TO SIZE AND PRESSURE TABLE AS SPECIFIED. (FLANGES NOT INCLUDED IN INSULATING KIT).
 - INSULATING GASKET:**
FULL FACE GASKET OF 3mm THICK FABRIC REINFORCED PHENOLIC RESIN WITH 1mm NITRILE RUBBER OR CAF FACING ON BOTH SIDES. FACING TO BE HEAT AND PRESSURE LAMINATED TO PHENOLIC RESIN BOARD - NO CONTACT ADHESIVE PERMISSIBLE.
 - INSULATING BOLT SLEEVE:**
1mm THICK GLASS FIBRE REINFORCED POLYESTER SLEEVE FOR EACH BOLT.
 - INSULATING WASHER:**
3mm THICK FABRIC REINFORCED PHENOLIC RESIN WASHER WITH DIAMETER 10mm GREATER THAN MACHINED STEEL WASHER. 2 OFF FOR EACH BOLT.
 - THRUST WASHER:**
MACHINED WITH DIAMETER AND THICKNESS ACCORDING TO THE RELATIVE 'SANS' STANDARD SPECIFICATION. WASHER FABRICATED OF SIMILAR MATERIAL TO BOLTS AND NUTS.
 - BOLTS:**
BOLTS AND NUTS TO BE IN ACCORDANCE WITH THE RELATIVE 'SANS' STANDARD SPECIFICATIONS. BOLT DIAMETERS SHALL BE SELECTED TO THE NEXT SMALLER SIZE FOR INSTALLATION IN STANDARD DRILLED FLANGES. BOLT BODY SHALL BE MACHINED DOWN TO THE NEXT STANDARD SIZE AND SUITABLE SMALLER NUT TO BE USED.
- (NOTE: FOR 'CONTINUITY BONDING ACROSS FLANGE', REFER TO PLAN No. 8100.615.1)



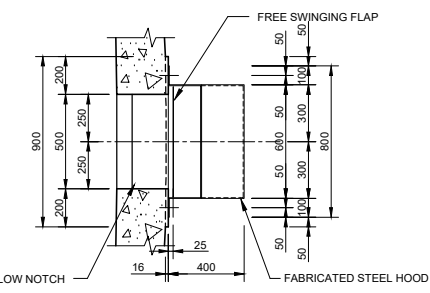
ALTERNATIVE 1 OVERFLOW PIPES
1:20



ELEVATION



SECTION E-E

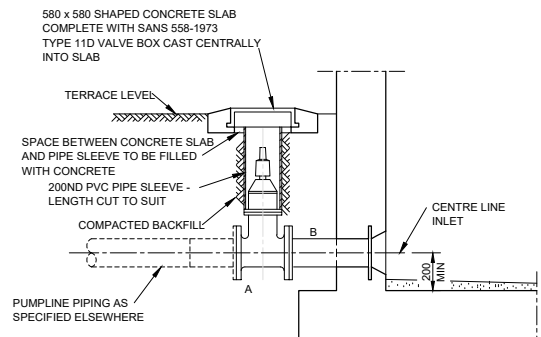


SECTIONAL PLAN F-F

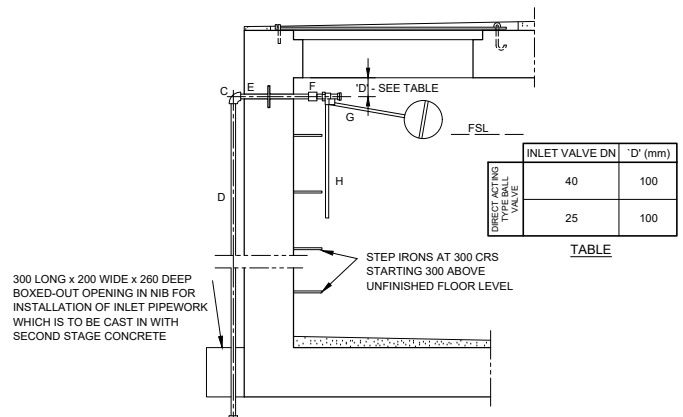
ALTERNATIVE OVERFLOW DETAILS

- NOTES:**
- MILD STEEL FLAP TO BE HINGED TO HOOD SO TO BE ABLE TO SWING FREELY
 - ENTIRE HOOD AND FLAP TO BE HOT DIP GALVANISED
 - RESERVOIR TO HAVE AN 800mm HIGH x 900mm LONG FLAT SECTION ON OUTSIDE WALL AS DETAILED SO THAT THE HOOD IS NOT MOUNTED ON A CURVED SURFACE

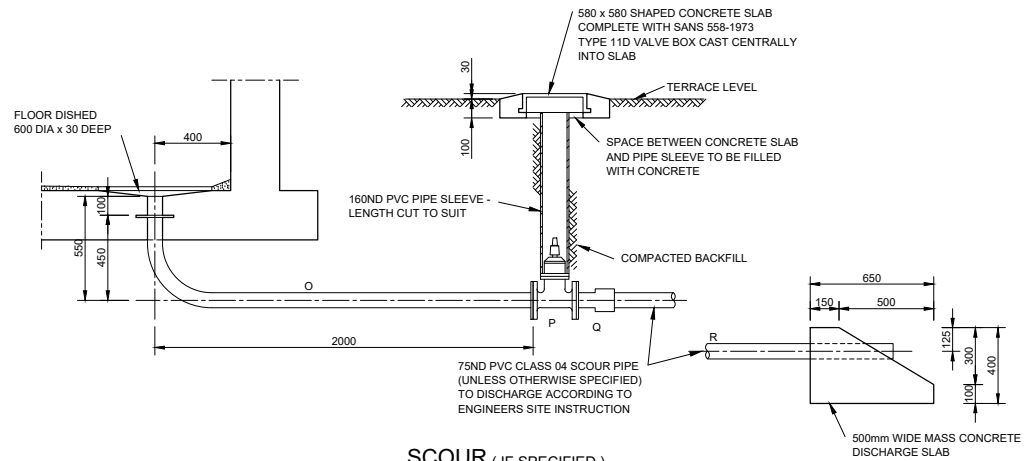
TYPICAL INSULATING FLANGE DETAIL WITHOUT ELECTRICAL CONTINUITY BONDING



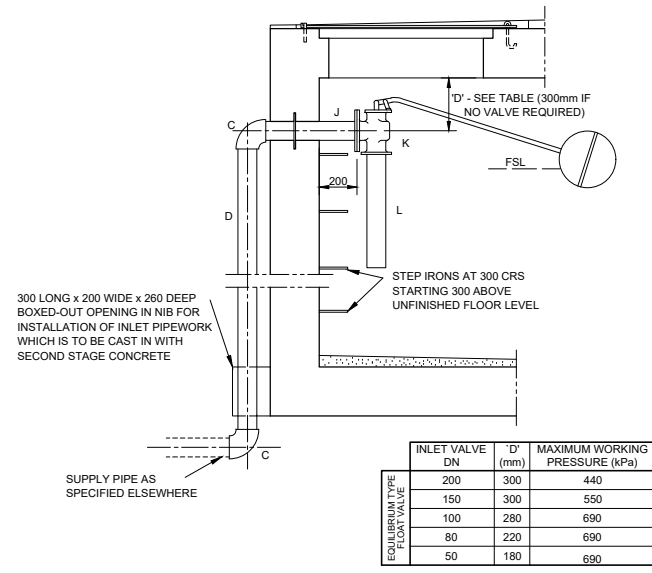
ALTERNATIVE 1 PUMPLINE INLET
1:20



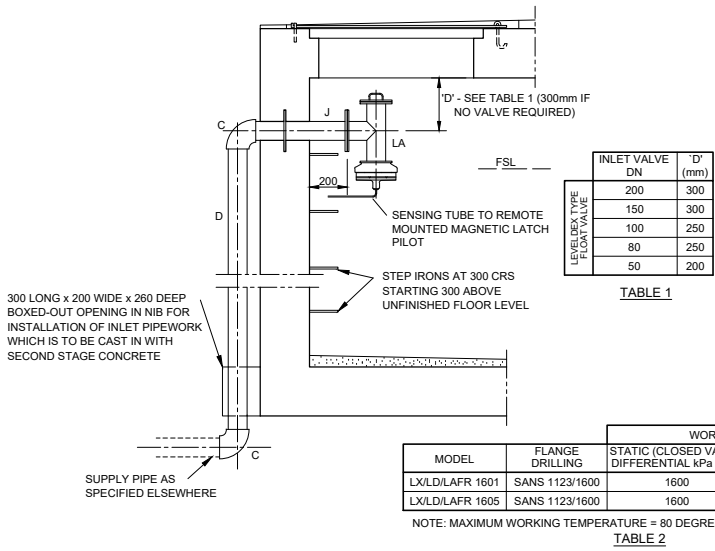
ALTERNATIVE 2 DIRECT ACTING TYPE BALL VALVE
1:20



SCOUR (IF SPECIFIED)
1:20

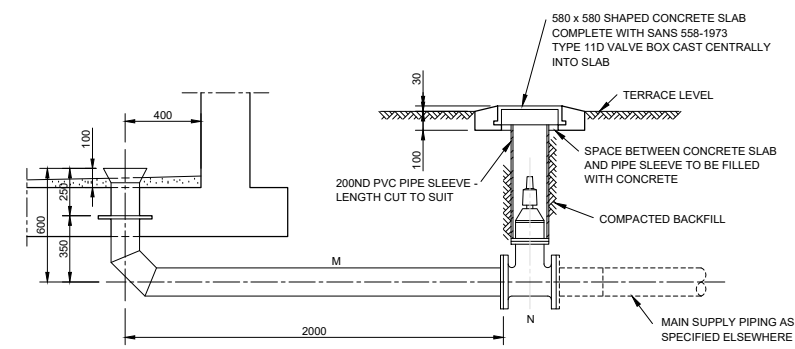


ALTERNATIVE 3 EQUILIBRIUM TYPE FLOAT VALVE
1:20



ALTERNATIVE 4 LEVELDEX TYPE FLOAT VALVE
1:20

ALTERNATIVE INLET DETAILS



OUTLET
1:20

SCHEDULE OF MECHANICAL EQUIPMENT, PIPEWORK & FITTINGS
 THESE NOTES APPLY TO ALL THE SCHEDULES HEREFOLLOWING:
 * : DIAMETERS TO BE SPECIFIED IN SCHEDULE OF QUANTITIES

- THE FOLLOWING SHALL BE THE MINIMUM WALL THICKNESSES FOR PIPES OF NOMINAL OUTSIDE DIAMETER :-
 a) 400 mm DN AND SMALLER DIAMETERS : 4.5 mm
 b) 450 mm AND UP TO 550 mm DN : 6 mm
- ALL FLANGES TO BE DRILLED SANS 1123 : 2003 (EDITION 3) TABLE 1000/3 AS DETAILED AND REFERRED TO AS SANS 10 IN THE SCHEDULE OF FITTINGS
- MAKE OF ALL VALVES TO BE APPROVED BY ENGINEER IN WRITING
- THE LENGTHS OF PIPES AND FITTINGS ARE APPROXIMATE ONLY - ACTUAL LENGTH TO BE ADVISED ONLY AFTER APPROVAL OF VALVES BY ENGINEER
- NO ALLOWANCES HAVE BEEN MADE IN PIPE AND FITTING DIMENSIONS FOR PACKINGS, GASKETS AND GAPS BETWEEN PIPEWORK - PROVISION FOR THESE TO BE MADE BY SUPPLIERS
- FLANGE HOLES TO BE DRILLED TO ALLOW EXACT ALIGNMENT VERTICALLY AND HORIZONTALLY, AS DETAILED ON THE DRAWINGS, OF ALL PIPEWORK AND EQUIPMENT
- WHERE PLAIN ENDS, FOR FLEXIBLE COUPLINGS, ARE CALLED FOR ON STEEL PIPES, THE DIMENSIONS OF SUCH PLAIN ENDS AND THE CORRESPONDING FLEXIBLE COUPLINGS ARE TO BE MATCHED
- ALL WELDING TO BE FULL STRENGTH, FULL PENETRATION
- ALL PIPEWORK PASING THROUGH BRICKWORK TO BE MALTHOID WRAPPED (MIN. 4 LAYERS) AND SEALED AROUND PIPE WITH POLYSULPHIDE SEALANT ON BOTH FACES OF BRICKWORK
- CORROSION PROTECTION TO BE IN ACCORDANCE WITH SPECIFICATIONS, AS SET OUT IN THE CONTRACT DOCUMENT

LEGEND OF CORROSION PROTECTION TREATMENT AS FOLLOWS:
 G : GALVANISING
 ET : EPOXY TAR
 EC : EPOXY COATING
 D : DENSO TAPE WRAPPING OR SIMILAR PETROLATUM PRODUCT
 P : PAINTING

- GALVANISING - WHERE GALVANISING IS SPECIFIED IT SHALL BE CARRIED OUT BY THE HOT DIP PROCESS TO PROVIDE A MINIMUM THICKNESS OF ZINC COATING OF 105 MICRON IN ACCORDANCE WITH SANS 121 : 2000 (AS AMENDED) AND SANS 14713 : 1999
- TWO PACK EPOXY - PRIOR TO EPOXY COATING OR LINING TAKING PLACE, ALL PIPES AND FITTINGS SHALL BE PREPARED AND TREATED IN ACCORDANCE WITH DWS 9900 SECTIONS C1 AND C3 AND PARTICULAR SPECIFICATION PSL4 IN THE DOCUMENT. THE EPOXY COATING/LINING SHALL BE APPLIED IN THE WORKSHOP BY SPRAYING TO A FINAL DRY FILM THICKNESS OF NOT LESS THAN 300 MICRON. AFTER INSTALLATION ANY CHIPS OR SCRATCHES SHALL BE MADE GOOD ON SITE WITH BRUSH APPLIED EPOXY PAINT, WHEREAFTER A FINAL TOP COAT, ACCORDING TO THE STANDARD DWAF COLOUR CODING SYSTEM, SHALL BE APPLIED TO ALL EXPOSED EPOXY COATED SURFACES TO A MINIMUM DRY FILM THICKNESS OF 30 MICRON.
- ALL BURIED PIPELINES ARE TO BE TREATED AS SPECIFIED AND ARE THEN TO BE TAPE WRAPPED ACCORDING TO DWAF SPECIFICATION DWS 9900 SECTION C1, ITEM 11 - TAPE WRAP SYSTEM

- THESE SCHEDULES TO BE READ IN CONJUNCTION WITH THE DRAWINGS AND SPECIFICATIONS
- ALL LEVELS TO BE VERIFIED ON SITE PRIOR TO THE COMMENCEMENT OF ANY WORK, AND THE ENGINEER TO BE NOTIFIED IN CASE OF ANY DISCREPANCIES
- ALL PACKINGS, NUTS, BOLTS AND WASHERS TO BE SUPPLIED WITH FITTINGS TO ENSURE THE COMPLETE INSTALLATION AND CORRECT OPERATION OF THE ENTIRE PUMPING EQUIPMENT AND/OR PIPEWORK INSTALLATION
- THE CONTRACTOR SHALL ENSURE A DRIP TIGHT FIT WITHOUT WARPING OF FLANGES
- ALL BURIED BOLTED CONNECTIONS TO BE PETROLATUM COATED, IN ACCORDANCE WITH DWAF STANDARD SPECIFICATION DWS 9900, SECTIONS C1 AND C3
- FASTENERS : ALL FASTENERS, UNLESS OTHERWISE SPECIFIED, ARE TO BE MILD STEEL, HOT DIP GALVANISED ACCORDING TO ISO 1416 (55 MICRON)
- ALL HOT DIP GALVANISED MILD STEEL BOLT AND NUT THREADS ARE TO BE COATED WITH MOLYBDENUM DISULPHIDE LUBRICANT OR WAX, AND ALL STAINLESS STEEL BOLT AND NUT THREADS ARE TO BE COATED WITH NICKEL ANTI-SIEZE COMPOUND PRIOR TO FASTENING
- SPECIFIED DIMENSIONS OF BOLT HOLES IN ANY STEEL MEMBER AND ROUND WASHERS
 - BOLT HOLE

Bolt Size	M6	M8	M10	M12	M16	M20	M24	M30	M36
Hole Dia (max)	6.8	9	11	13.5	17.5	22	26	33	39
 - ROUND WASHERS

Bolt Size	M6	M8	M10	M12	M16	M20	M24	M30	M36
Thickness (min)	1.6	1.6	2	2.5	3	3	4	4	5
Outside Dia (min)	12.5	17	21	24	30	37	44	56	66
Hole Dia (max)	6.8	9	11	14	18	22	26	33	39
Tolerance On	+ 0.18	0.22	0.22	0.27	0.27	0.33	0.33	0.33	0.62
Hole Dia	-	0	0	0	0	0	0	0	0

NOTE:
 STAINLESS STEEL FASTENERS TO BE USED ON STAINLESS STEEL CONNECTIONS AS WELL AS CONNECTIONS OF STAINLESS STEEL TO MILD STEEL, COMPLETE WITH INSULATING GASKET SETS AT THESE DISLIKE CONNECTIONS

OVERFLOW DETAILS							
SCHEDULE OF FITTINGS							
REF	DN	DESCRIPTION	WALL t mm	FLANGE DRILLING	TREATMENT GALVA NISED	EPOXY RESIN PAINT	QTY
ALTERNATIVE 1 : OVERFLOW PIPES							
S	100 x 25	MGI REDUCING BUSH			*		2 no
T	100	100 x 100 x 100DN MGI EQUAL TEE			*		2 no
U	100	300mm LONG MGI PIPE THREADED ONE END ONLY			*		2 no
V	100	520mm LONG STEEL PIPE, THREADED BOTH ENDS AND HAVING PUDDLE FLANGE 230mm FROM 'INCOMING' END	4.5		*		2 no
W	100	90 DEGREE MGI FEMALE ELBOW			*		2 no
X	100	1450mm LONG MGI PIPE, THREADED BOTH ENDS, COMPLETE WITH 100DN SANS 1123:2003 EDITION 3, TABLE 1000/4 SCREWED BOSS FLANGE ON ONE END, AND 2 x 100DN MGI HOLDERBATS	4.5	SANS 10	*		2 sets
Y	100	STEEL PLATE BLANK FLANGE ACCORDING TO SANS 1123:2003 EDITION 3, TABLE 1000/8, WITH 4mm DIA. HOLES DRILLED AT 10mm CENTRES IN MATRIX		SANS 10	*		2 no
ALTERNATIVE 2 : OVERSPILL NOTCH WITH HOOD							
		FABRICATED MILD STEEL FLAP AND HOOD AS DETAILED ON PLAN No 8100.55.3			*		1 set

MISCELLANEOUS FITTINGS							
SCHEDULE OF FITTINGS							
REF	DN	DESCRIPTION	WALL t mm	FLANGE DRILLING	TREATMENT GALVA NISED	EPOXY RESIN PAINT	QTY
MISCELLANEOUS FITTINGS							
		1) 900 x 600 mm FABRICATED STEEL MANHOLE COVER AND FRAME AS DETAILED ON PLAN No 8100.55.2			*		1 set
		2) FABRICATED STEEL VENTILATOR AS DETAILED ON PLAN No 8100.55.2	4.5		*		2 no
		3) CONTROL EQUIPMENT SLEEVE COMPLETE AS DETAILED ON PLAN No 8100.55.2			*		1 set
		4) LEVEL INDICATOR COMPLETE AS DETAILED ON PLAN No 8100.55.4			*		1 set
		5) VALVE BOX INSTALLATION COMPLETE WITH SANS 558 : 1973, TYPE 11 VALVE BOX, CONCRETE SLAB AND 160DN uPVC SLEEVE PIPE AS DETAILED ON PLAN No 8100.55.3 (PROVISIONAL)			*		3 sets

INLET DETAILS							
SCHEDULE OF FITTINGS							
REF	DN	DESCRIPTION	WALL t mm	FLANGE DRILLING	TREATMENT GALVA NISED	EPOXY RESIN PAINT	QTY
ALTERNATIVE 1 : PUMPLINE INLET							
A	*	DOUBLE FLANGED NON-RISING SPINDLE, CLOCKWISE CLOSING WITH BUSH THRUST COLLAR AND CAP TOP, WATERWORKS PATTERN RESILIENT SEAL GATE VALVE, SUITABLE FOR 1000 kPa PRESSURE AND ACCORDING TO SANS 664 - 1999		SANS 10	*		1 no
B	*	500mm LONG STAINLESS STEEL (GRADE 304L) BELLMOUTH PIPE PIECE FLANGED ONE END AND HAVING PUDDLE FLANGE 130mm FROM BELLMOUTH END. NOTE:- COUPLING OF FITTING 'A' TO SS FITTING 'B' TO BE MADE USING FLANGE INSULATING SET COMPRISING THE FOLLOWING :- GASKET, BOLT SLEEVES, INSULATING WASHERS AND THRUST WASHERS AS DETAILED ON PLAN No. 8100.55.3	4.5	SANS 10	*		1 set
ALTERNATIVE 2 : DIRECT ACTING TYPE BALL VALVE							
C	*	90 DEGREE MGI FEMALE ELBOW			*		2 no
D	*	MGI PIPE THREADED BOTH ENDS - LENGTH TO BE DETERMINED ON SITE	4.5		*		1 no
E	*	400mm LONG STEEL PIPE THREADED BOTH ENDS AND HAVING PUDDLE FLANGE 170mm FROM 'INCOMING' END	4.5	SANS 10	*		1 no
F	*	MGI PARALLEL SOCKET			*		1 no
G	*	DIRECT ACTING TYPE BALL VALVE			*		1 no
H	*	600mm LONG MGI PIPE THREADED ONE END ONLY	4.5		*		1 no
ALTERNATIVE 3 : EQUILIBRIUM TYPE FLOAT VALVE							
C	*	90 DEGREE MGI FEMALE ELBOW			*		2 no
D	*	MGI PIPE THREADED BOTH ENDS - LENGTH TO BE DETERMINED ON SITE	4.5		*		1 no
J	*	560mm LONG STEEL PIPE FLANGED ON 'OUTGOING' END, 'INCOMING' END THREADED AND HAVING PUDDLE FLANGE 190mm FROM 'INCOMING' THREADED END	4.5	SANS 10	*		1 no
K	*	EQUILIBRIUM TYPE FLOAT VALVE			*		1 no
L	*	600mm LONG MGI PIPE THREADED ONE END ONLY	4.5		*		1 no
ALTERNATIVE 4 : LEVELDEX TYPE FLOAT VALVE							
C	*	90 DEGREE MGI FEMALE ELBOW			*		2 no
D	*	MGI PIPE THREADED BOTH ENDS - LENGTH TO BE DETERMINED ON SITE	4.5		*		1 no
J	*	560mm LONG STEEL PIPE FLANGED ON 'OUTGOING' END, 'INCOMING' END THREADED AND HAVING PUDDLE FLANGE 190mm FROM 'INCOMING' THREADED END	4.5	SANS 10	*		1 no
LA	*	'LEVELDEX' MODEL LAFR-1601 LEVEL CONTROL VALVE COMPLETE WITH HORIZONTAL INLET, VERTICAL ACCESS FILTER BOX WITH CONICAL FILTER AND REMOTE TWO LEVEL MAGNETIC LATCH PILOT WITH SHORT DEAD BAND (MODEL LR2500), SENSING TUBE TO BE APPROXIMATELY 1.5m LONG AND PILOT TO BE MOUNTED IN POSITION AS INSTRUCTED ON SITE		SANS 10	*		1 no

OUTLET AND SCOUR DETAILS							
SCHEDULE OF FITTINGS							
REF	DN	DESCRIPTION	WALL t mm	FLANGE DRILLING	TREATMENT GALVA NISED	EPOXY RESIN PAINT	QTY
OUTLET							
M	*	90 DEGREE STAINLESS STEEL (GRADE 304L) SEGMENTAL BEND, (3 - SEGMENTS), WITH BELLMOUTH ON 'INCOMING' END, PUDDLE FLANGE 250mm FROM BELLMOUTH END AND FLANGED ON 'OUTGOING' END. FITTING TO HAVE THE FOLLOWING DIMENSIONS:- a) CENTRE-TO-BELLMOUTH = 600mm; b) CENTRE-TO-FACE 'OUTGOING' LEG = 2000mm AND c) RADIUS = 230mm NOTE:- COUPLING OF FITTING 'N' TO SS FITTING 'M' TO BE MADE USING FLANGE INSULATING SET COMPRISING THE FOLLOWING :- GASKET, BOLT SLEEVES, INSULATING WASHERS AND THRUST WASHERS AS DETAILED ON PLAN No. 8100.55.3	4.5	SANS 10	*		1 set
N	*	DOUBLE FLANGED NON-RISING SPINDLE, CLOCKWISE CLOSING WITH BUSH THRUST COLLAR AND CAP TOP, WATERWORKS PATTERN RESILIENT SEAL GATE VALVE, SUITABLE FOR 1000 kPa PRESSURE AND ACCORDING TO SANS 664 - 1999		SANS 10	*		1 no
SCOUR							
O	75	90 DEGREE STAINLESS STEEL (GRADE 304L) LONG RADIUS BEND, FLANGED ON 'OUTGOING' LEG ONLY AND HAVING PUDDLE FLANGE 100mm FROM PLAIN 'INCOMING' END. FITTING TO HAVE THE FOLLOWING DIMENSIONS:- a) CENTRE-TO-PLAIN 'INCOMING' END = 550mm; b) CENTRE-TO-FACE 'OUTGOING' LEG = 2000mm AND c) RADIUS = 300mm NOTE:- COUPLING OF FITTING 'P' TO SS FITTING 'O' TO BE MADE USING FLANGE INSULATING SET COMPRISING THE FOLLOWING :- GASKET, BOLT SLEEVES, INSULATING WASHERS AND THRUST WASHERS AS DETAILED ON PLAN No. 8100.55.3	4.5	SANS 10	*		1 set
P	80	DOUBLE FLANGED NON-RISING SPINDLE, CLOCKWISE CLOSING WITH BUSH THRUST COLLAR AND CAP TOP, WATERWORKS PATTERN RESILIENT SEAL GATE VALVE, SUITABLE FOR 1000 kPa PRESSURE AND ACCORDING TO SANS 664 - 1999		SANS 10	*		1 no
Q	75	uPVC FLANGE ADAPTOR		SANS 10	*		1 no
R	75	uPVC CLASS 4 PIPING (EXACT LENGTH TO BE DETERMINED ON SITE)		SANS 10	*		24 m

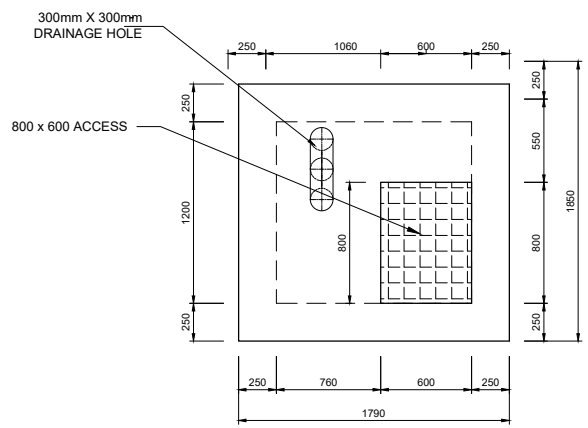
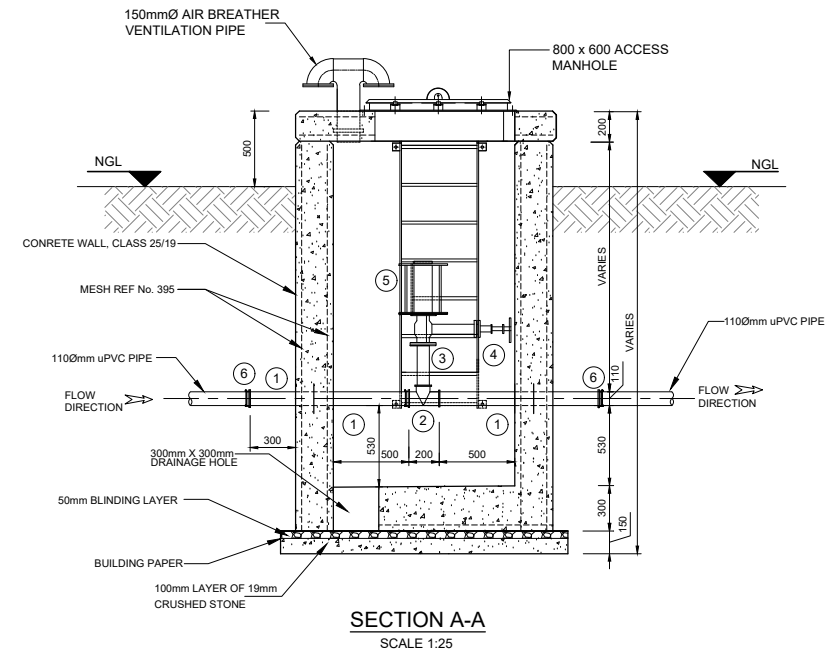
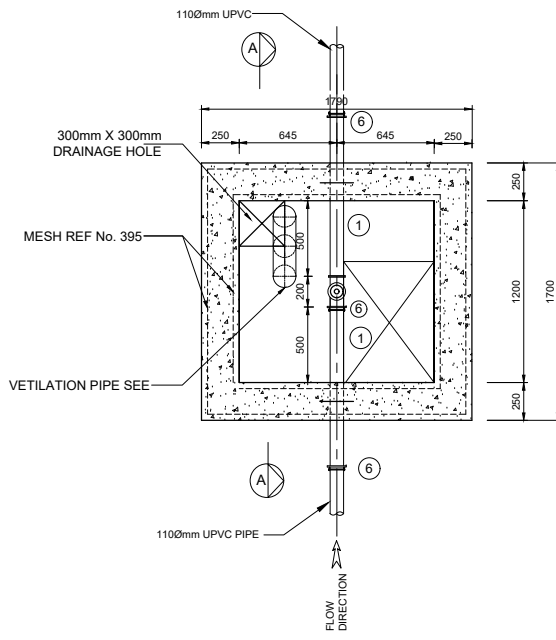
SANS 1123 - 2003 FLANGE DRILLING TABLE

TABLE 1 000/3 - STEEL PLATE FLANGES FOR WELDING

FLANGE		BOLT		DRILLING	
DN	D	t	DIA	NO	DIA
10	90	10	M12	4	14
15	95	10	M12	4	14
20	105	10	M12	4	14
25	115	10	M12	4	14
32	140	10	M16	4	18
40	150	10	M16	4	18
50	165	10	M16	4	18
65	185	12	M16	4	18
80	200	12	M16	8	18
100	220	12	M16	8	18
125	250	14	M16	8	18
150	285	16	M20	8	22
175	315	16	M20	8	22
200	340	18	M20	8	22
225	370	18	M20	8	22
250	395	20	M20	12	22
300	445	22	M20	12	22

* Non-preferred size.

DESIGNED BY	H.T.	 VHEMBE DISTRICT MUNICIPALITY PRIVATE BAG X5006 THOHOYANDOU 0950 TEL. (015) 960 2000 FAX. (015) 962 1017	 MORULA CONSULTING ENGINEERS P. o. Box 2740 POLOKWANE 0700 CONSULTING ENGINEERS & PROJECT MANAGERS "a new dawn" TEL. (015) 296-4460 FAX. (015) 296-4103	VDM DATE CONSULTING ENGINEER DATE	(Full signature)	SHEET 1 of 1	
CHECKED BY	H.T.				SCALE		
DRAWN BY	T.M.				AS SHOWN		
CHECKED BY	H.T.				DRAWING NUMBER	REVISION	
No	DATE	REVISION	CONSULT	DIR	800k RESERVOIR : SCHEDULES OF MECHANICAL FITTINGS AND NOTES	MC/VDM/BRU/CR/14	①



TYPICAL STEEL PIPE FITTINGS AND ITEM LIST (110ND PIPE LINE WITH 1600kPa MAX. WORKING PRESURE)					MISCELLANEOUS FITTINGS	
ITEM NR.	DESCRIPTION	No. OFF	MATERIAL	DIMENSIONS		
1	1000 x 1050mm LONG STEEL PIPE WITH PUDDLE FLANGE, ONE END PLAIN AND THE OTHER END FLANGED TO TABLE 1600/3	2	STEEL GRADE 300 WA		a) ACCESS LADDERS 1865 mm LONG, FABRICATED, MILD STEEL, HOT DIP GALVANISED ACCESS LADDER, COMPLETE WITH M16 x 100mm LONG HOT DIP GALVANISED ANCHOR BOLTS.	1
2	100 x 100 x 100 ND FLANGED MILD STEEL EQUAL TEE, BOTH ENDS FLANGED TO TABLE 1600/3	1	STEEL GRADE 300 WA		b) VENTILATORS FABRICATED, MILD STEEL, HOT DIP GALVANISED VENTILATORS.	1
3	100 x 200 mm LONG FLANGED MILD STEEL PIPE, PN16. BOTH ENDS FLANGED TO TABLE 1600/3.	1	STEEL GRADE 300 WA		c) MANHOLE COVER 800 x 600 mm FABRICATED, HOT DIP GALVANISED MANHOLE COVER AND FRAME.	1
4	1000mm FLANGED, WATERWORKS PATTERN, RESILIENT SEAL GATE VALVE, NON-RISING SPINDLE, CLOCKWISE CLOSING, BALL THRUST COLLAR AND HANDWHEEL ACCORDING TO SANS 664:1999, PN25, BOTH ENDS FLANGED TO TABLE 1600/3.	1	SPHEROIDAL GRAPHITE IRON			
5	'VENT-O-MAT' (OR APPROVED SIMILAR) MODEL 080 RBX 1601 LARGE ORIFICE AIR, RELEASE AND VACUUM BREAK VALVE WITH ANTI-SHOCK ORIFICE MECHANISM AND TEST COCK. VALVE TO BE SUPPLIED COMPLETE WITH MATING FLANGE FOR COUPLING TO FITTING '3'	1				
6	100mmØ 'VIKING JOHNSON' (OR APPROVED SIMILAR) MILD STEEL FLANGE ADAPTOR, PN16.	3				

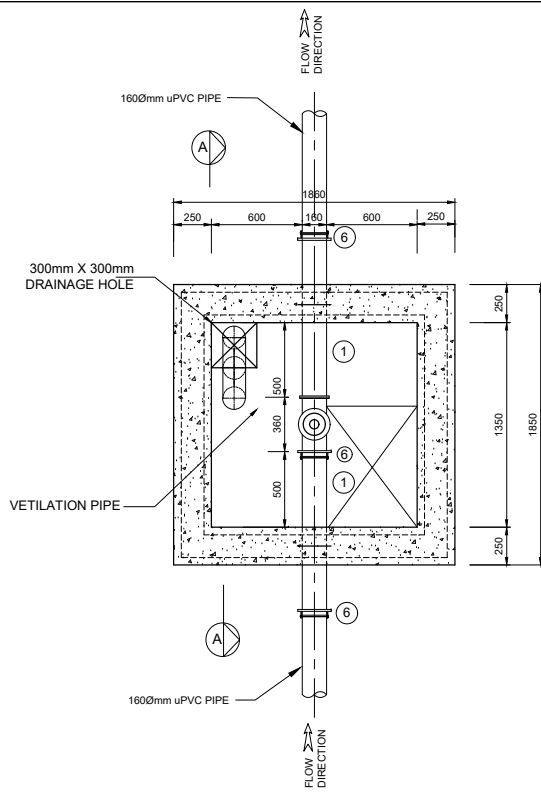
SCHEDULE OF MECHANICAL EQUIPMENT PIPEWORK & FITTINGS

- THESE NOTES APPLY TO ALL THE SCHEDULES HEREFOLLOWING:
- PIPE WALL THICKNESSES SHALL BE AS SPECIFIED IN THE TABLE ON THE SCHEDULE OF FITTINGS
 - ALL FLANGES TO BE DRILLED SANS 1123-2003 (EDITION 3) TABLES 1000/3; 1600/3; 2500/3; 4000/3 AS DETAILED AND REFERRED TO AS 1000/3; 1600/3; 2500/3 AND 4000/3 IN THE SCHEDULE OF FITTINGS
 - MAKE OF ALL VALVES TO BE APPROVED BY ENGINEER IN WRITING
 - THE LENGTHS OF PIPES AND FITTINGS ARE APPROXIMATE ONLY - ACTUAL LENGTH TO BE ADVISED ONLY AFTER APPROVAL OF VALVES BY ENGINEER
 - NO ALLOWANCES HAVE BEEN MADE IN PIPE AND FITTING DIMENSIONS FOR PACKINGS, GASKETS AND GAPS BETWEEN PIPEWORK - PROVISION FOR THESE TO BE MADE BY SUPPLIERS
 - FLANGE HOLES TO BE DRILLED TO ALLOW EXACT ALIGNMENT VERTICALLY AND HORIZONTALLY, AS DETAILED ON THE DRAWINGS, OF ALL PIPEWORK AND EQUIPMENT
 - WHERE PLAIN ENDS, FOR FLEXIBLE COUPLINGS, ARE CALLED FOR ON STEEL PIPES, THE DIMENSIONS OF SUCH PLAIN ENDS AND THE CORRESPONDING FLEXIBLE COUPLINGS ARE TO BE MATCHED
 - ALL WELDING TO BE FULL STRENGTH, FULL PENETRATION

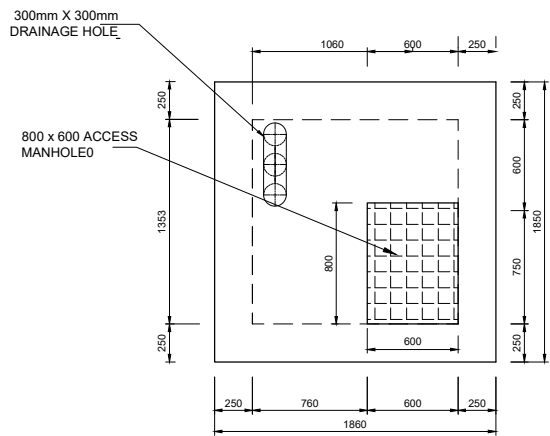
- RADII APPLICABLE TO PIPE PEDESTALS AND STRAPS TO BE VERIFIED FOR FULL SUPPORT OF PIPE OVER ENTIRE SUPPORT AND STRAPPING AREA
 - CORROSION PROTECTION TO BE IN ACCORDANCE WITH SPECIFICATIONS, AS SET OUT IN THE CONTRACT DOCUMENT
- LEGEND OF CORROSION PROTECTION TREATMENT AS FOLLOWS:
 G : GALVANISING
 ET : EPOXY TAR
 EC : EPOXY COATING
 D : DENSO TAPE WRAPPING
 P : PAINTING
- GALVANISING - WHERE GALVANISING IS SPECIFIED IT SHALL BE CARRIED OUT BY THE HOT DIP PROCESS TO PROVIDE A MINIMUM THICKNESS OF ZINC COATING OF 105 MICRON IN ACCORDANCE WITH SANS ISO 1461 AND SANS ISO 14713 (AS AMENDED)
 - TWO PACK EPOXY - PRIOR TO EPOXY COATING OR LINING TAKING PLACE, ALL PIPES AND FITTINGS SHALL BE PREPARED AND TREATED IN ACCORDANCE WITH THE PARTICULAR SPECIFICATION IN THE DOCUMENT. THE EPOXY COATING/LINING SHALL BE APPLIED IN THE WORKSHOP BY SPRAYING TO A FINAL DRY FILM THICKNESS OF NOT LESS THAN 400 MICRON. AFTER INSTALLATION ANY CHIPS OR SCRATCHES SHALL BE MADE GOOD ON SITE WITH BRUSH APPLIED EPOXY PAINT, WHEREAFTER A FINAL TOP COAT, ACCORDING TO THE STANDARD DWAF COLOUR CODING SYSTEM, SHALL BE APPLIED TO ALL EXPOSED EPOXY COATED SURFACES TO A MINIMUM DRY FILM THICKNESS OF 30 MICRON.
 - STAINLESS STEEL WELDED JOINTS SHALL BE TREATED AS FOLLOWS - AFTER WELDING THE COATING AND LINING ARE TO BE REPAIRED USING AN APPROVED 2-PACK EPOXY TO THE SPECIFIED MINIMUM THICKNESS, WHEREAFTER THE SURFACES ARE TO BE THOROUGHLY CLEANED AS DESCRIBED IN THE PARTICULAR SPECIFICATIONS IN THE DOCUMENT, AFTER WHICH THE JOINT SHALL BE PRIMED WITH 'DENSO QD' PRIMER (OR APPROVED SIMILAR) AND WRAPPED WITH AN APPROVED BUTYL LAMINATE TAPE PIPELINE PROTECTION TAPE (SUCH AS 'DENSO S43/R23 BUTYL TAPE WRAPPING, OR APPROVED SIMILAR).
 - ALL BURIED PIPELINE COUPLINGS ARE TO BE TREATED WITH A PETROLATUM MASTIC BLANKET AND COATED TAPE BACKING, WHEREAFTER THE JOINT IS TO BE PLASTIC WRAPPED, ACCORDING TO SPECIFICATION.
- THESE SCHEDULES TO BE READ IN CONJUNCTION WITH THE DRAWINGS AND SPECIFICATIONS
 - ALL LEVELS TO BE VERIFIED ON SITE PRIOR TO THE COMMENCEMENT OF ANY WORK, AND THE ENGINEER TO BE NOTIFIED IN CASE OF ANY DISCREPANCIES
 - ALL PACKINGS, NUTS, BOLTS AND WASHERS TO BE SUPPLIED WITH FITTINGS TO ENSURE THE COMPLETE INSTALLATION AND CORRECT OPERATION OF THE ENTIRE PUMPING EQUIPMENT AND/OR PIPEWORK INSTALLATION
 - ALTHOUGH THE USE OF FINE THREAD NUTS AND BOLTS IS SOUND ENGINEERING PRACTICE FOR COUPLING OF FLANGED FITTINGS, IT IS NOT OBLIGATORY. THE ONUS REMAINS ON THE CONTRACTOR TO ENSURE A DRIP TIGHT FIT WITHOUT WARPING OF FLANGES
 - ALL BOLTED CONNECTIONS TO BE PETROLATUM COATED, IN ACCORDANCE WITH DWAF STANDARD SPECIFICATION DWS 9900, SECTIONS C1 AND C3
 - FASTENERS : ALL FASTENERS, UNLESS OTHERWISE SPECIFIED, ARE TO BE MILD STEEL, HOT DIP GALVANISED, WITH THREADS COATED WITH MOLYBDENUM DISULPHIDE LUBRICANT
 - ALL HOT DIP GALVANISED MILD STEEL BOLT AND NUT THREADS ARE TO BE COATED WITH MOLYBDENUM DISULPHIDE LUBRICANT OR WAX, AND ALL STAINLESS STEEL BOLT AND NUT THREADS ARE TO BE COATED WITH NICKEL ANTI-SIEZE COMPOUND PRIOR TO FASTENING
- NOTE:
 STAINLESS STEEL FASTENERS TO BE USED ON STAINLESS STEEL CONNECTIONS AS WELL AS CONNECTIONS OF STAINLESS STEEL TO MILD STEEL, COMPLETE WITH INSULATING GASKET SETS AT THESE 'DISLIKE' CONNECTIONS
- SPECIFIED DIMENSIONS OF BOLT HOLES IN ANY STEEL MEMBER AND ROUND WASHERS
 - BOLT HOLE

Bolt Size	M6	M8	M10	M12	M16	M20	M24	M30	M36
Hole Dia (max)	6,6	9	11	13,5	17,5	22	26	33	39
 - ROUND WASHERS

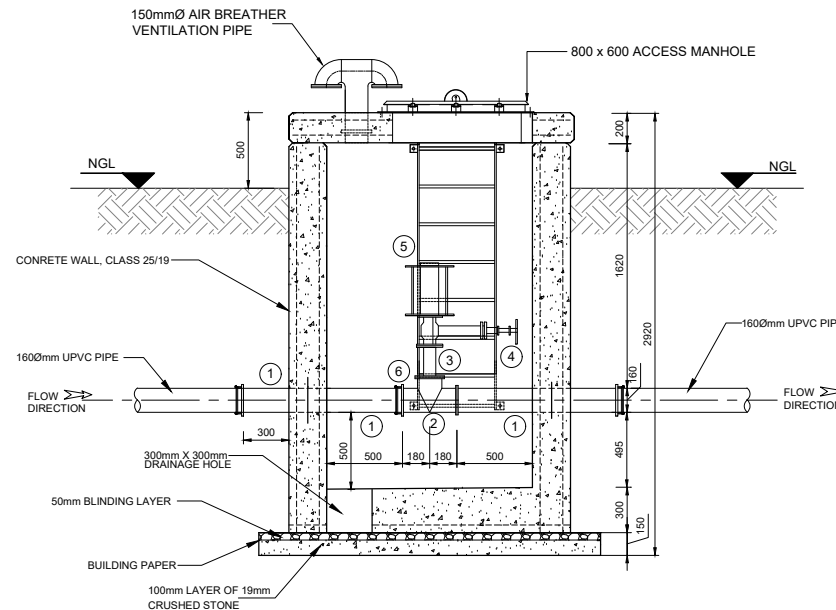
Bolt Size	M6	M8	M10	M12	M16	M20	M24	M30	M36
Thickness (min)	1,6	1,6	2	2,5	3	3	4	4	5
Outside Dia (min)	12,5	17	21	24	30	37	44	56	66
Hole Dia (max)	6,6	9	11	14	18	22	26	33	39
Tolerance On Hole Dia	+ 0,18	0,22	0,22	0,27	0,27	0,33	0,33	0,33	0,62
	-	0	0	0	0	0	0	0	0
 - STEEL PIPES & FITTINGS
 ALL STEEL PIPES AND FITTINGS IN CONFORMITY WITH SANS 719/2002 GRADE B WITH DESIGN YIELD STRESS OF 241 Mpa



PLAN
SCALE 1:25



ACCESS TO COVER SLAB DETAILS
SCALE 1:25



SECTION A-A
SCALE 1:25

TYPICAL STEEL PIPE FITTINGS AND ITEM LIST
(160ND PIPE LINE WITH 1600kPa MAX. WORKING PRESURE)

ITEM NR.	DESCRIPTION	No. OFF	MATERIAL	DIMENSIONS
①	1500 x 1050mm LONG STEEL PIPE WITH PUDDLE FLANGE, ONE END PLAIN AND FLANGED TO TABLE 1600/3	2	STEEL GRADE 300 WA	
②	150 x 150 x 150 ND FLANGED MILD STEEL EQUAL TEE, BOTH ENDS FLANGED TO TABLE 1600/3	1	STEEL GRADE 300 WA	
③	80 x 200 mm LONG FLANGED MILD STEEL PIPE, PN25, BOTH ENDS FLANGED TO TABLE 1600/3.	1	STEEL GRADE 300 WA	
④	800mm FLANGED, WATERWORKS PATTERN, RESILIENT SEAL GATE VALVE, NON-RISING SPINDLE, CLOCKWISE CLOSING, BALL THRUST COLLAR AND HANDWHEEL ACCORDING TO SANS 664:1999, PN25, BOTH ENDS FLANGED TO TABLE 1600/3.	1	SPHEROIDAL GRAPHITE IRON	
⑤	'VENT-O-MAT' (OR APPROVED SIMILAR) MODEL 080 RBX 1601 LARGE ORIFICE AIR, RELEASE AND VACUUM BREAK VALVE WITH ANTI-SHOCK ORIFICE MECHANISM AND TEST COCK. VALVE TO BE SUPPLIED COMPLETE WITH MATING FLANGE FOR COUPLING TO FITTING '3'	1		
⑥	150mmØ 'VIKING JOHNSON' (OR APPROVED SIMILAR) MILD STEEL FLANGE ADAPTOR, PN16.	3		
MISSCELLANEOUS FITTINGS				
a)	ACCESS LADDERS 1865 mm LONG, FABRICATED, MILD STEEL, HOT DIP GALVANISED ACCESS LADDER, COMPLETE WITH M16 x 100mm LONG HOT DIP GALVANISED ANCHOR BOLTS.	1		
b)	VENTILATORS FABRICATED, MILD STEEL, HOT DIP GALVANISED VENTILATORS.	1		
c)	MANHOLE COVER 800 x 600 mm FABRICATED, HOT DIP GALVANISED MANHOLE COVER AND FRAME.	1		

SCHEDULE OF MECHANICAL EQUIPMENT PIPEWORK & FITTINGS

THESE NOTES APPLY TO ALL THE SCHEDULES HEREFOLLOWING:

- PIPE WALL THICKNESSES SHALL BE AS SPECIFIED IN THE TABLE ON THE SCHEDULE OF FITTINGS
- ALL FLANGES TO BE DRILLED SANS 1123-2003 (EDITION 3) TABLES 1000/3; 1600/3; 2500/3; 4000/3 AS DETAILED AND REFERRED TO AS 1000/3; 1600/3; 2500/3 AND 4000/3 IN THE SCHEDULE OF FITTINGS
- MAKE OF ALL VALVES TO BE APPROVED BY ENGINEER IN WRITING
- THE LENGTHS OF PIPES AND FITTINGS ARE APPROXIMATE ONLY - ACTUAL LENGTH TO BE ADVISED ONLY AFTER APPROVAL OF VALVES BY ENGINEER
- NO ALLOWANCES HAVE BEEN MADE IN PIPE AND FITTING DIMENSIONS FOR PACKINGS, GASKETS AND GAPS BETWEEN PIPEWORK - PROVISION FOR THESE TO BE MADE BY SUPPLIERS
- FLANGE HOLES TO BE DRILLED TO ALLOW EXACT ALIGNMENT VERTICALLY AND HORIZONTALLY, AS DETAILED ON THE DRAWINGS, OF ALL PIPEWORK AND EQUIPMENT
- WHERE PLAIN ENDS, FOR FLEXIBLE COUPLINGS, ARE CALLED FOR ON STEEL PIPES, THE DIMENSIONS OF SUCH PLAIN ENDS AND THE CORRESPONDING FLEXIBLE COUPLINGS ARE TO BE MATCHED
- ALL WELDING TO BE FULL STRENGTH, FULL PENETRATION

- RADII APPLICABLE TO PIPE PEDESTALS AND STRAPS TO BE VERIFIED FOR FULL SUPPORT OF PIPE OVER ENTIRE SUPPORT AND STRAPPING AREA
- CORROSION PROTECTION TO BE IN ACCORDANCE WITH SPECIFICATIONS, AS SET OUT IN THE CONTRACT DOCUMENT
LEGEND OF CORROSION PROTECTION TREATMENT AS FOLLOWS:
G : GALVANISING
ET : EPOXY TAR
EC : EPOXY COATING
D : DENSO TAPE WRAPPING
P : PAINTING
- GALVANISING - WHERE GALVANISING IS SPECIFIED IT SHALL BE CARRIED OUT BY THE HOT DIP PROCESS TO PROVIDE A MINIMUM THICKNESS OF ZINC COATING OF 105 MICRON IN ACCORDANCE WITH SANS ISO 1461 AND SANS ISO 14713 (AS AMENDED)
- TWO PACK EPOXY - PRIOR TO EPOXY COATING OR LINING TAKING PLACE, ALL PIPES AND FITTINGS SHALL BE PREPARED AND TREATED IN ACCORDANCE WITH THE PARTICULAR SPECIFICATION IN THE DOCUMENT. THE EPOXY COATING/LINING SHALL BE APPLIED IN THE WORKSHOP BY SPRAYING TO A FINAL DRY FILM THICKNESS OF NOT LESS THAN 400 MICRON. AFTER INSTALLATION ANY CHIPS OR SCRATCHES SHALL BE MADE GOOD ON SITE WITH BRUSH APPLIED EPOXY PAINT, WHEREAFTER A FINAL TOP COAT, ACCORDING TO THE STANDARD DWAF COLOUR CODING SYSTEM, SHALL BE APPLIED TO ALL EXPOSED EPOXY COATED SURFACES TO A MINIMUM DRY FILM THICKNESS OF 30 MICRON.
- STAINLESS STEEL WELDED JOINTS SHALL BE TREATED AS FOLLOWS - AFTER WELDING THE COATING AND LINING ARE TO BE REPAIRED USING AN APPROVED 2-PACK EPOXY TO THE SPECIFIED MINIMUM THICKNESS, WHEREAFTER THE SURFACES ARE TO BE THOROUGHLY CLEANED AS DESCRIBED IN THE PARTICULAR SPECIFICATIONS IN THE DOCUMENT, AFTER WHICH THE JOINT SHALL BE PRIMED WITH 'DENSO QD' PRIMER (OR APPROVED SIMILAR) AND WRAPPED WITH AN APPROVED BUTYL LAMINATE TAPE PIPELINE PROTECTION TAPE (SUCH AS 'DENSO S43/R23 BUTYL TAPE WRAPPING, OR APPROVED SIMILAR).
- ALL BURIED PIPELINE COUPLINGS ARE TO BE TREATED WITH A PETROLATUM MASTIC BLANKET AND COATED TAPE BACKING, WHEREAFTER THE JOINT IS TO BE PLASTIC WRAPPED, ACCORDING TO SPECIFICATION.
- THESE SCHEDULES TO BE READ IN CONJUNCTION WITH THE DRAWINGS AND SPECIFICATIONS
- ALL LEVELS TO BE VERIFIED ON SITE PRIOR TO THE COMMENCEMENT OF ANY WORK, AND THE ENGINEER TO BE NOTIFIED IN CASE OF ANY DISCREPANCIES
- ALL PACKINGS, NUTS, BOLTS AND WASHERS TO BE SUPPLIED WITH FITTINGS TO ENSURE THE COMPLETE INSTALLATION AND CORRECT OPERATION OF THE ENTIRE PUMPING EQUIPMENT AND/OR PIPEWORK INSTALLATION
- ALTHOUGH THE USE OF FINE THREAD NUTS AND BOLTS IS SOUND ENGINEERING PRACTICE FOR COUPLING OF FLANGED FITTINGS, IT IS NOT OBLIGATORY. THE ONUS REMAINS ON THE CONTRACTOR TO ENSURE A DRIP TIGHT FIT WITHOUT WARPING OF FLANGES
- ALL BOLTED CONNECTIONS TO BE PETROLATUM COATED, IN ACCORDANCE WITH DWAF STANDARD SPECIFICATION DWS 9900, SECTIONS C1 AND C3
- FASTENERS : ALL FASTENERS, UNLESS OTHERWISE SPECIFIED, ARE TO BE MILD STEEL, HOT DIP GALVANISED, WITH THREADS COATED WITH MOLYBDENUM DISULPHIDE LUBRICANT
- ALL HOT DIP GALVANISED MILD STEEL BOLT AND NUT THREADS ARE TO BE COATED WITH MOLYBDENUM DISULPHIDE LUBRICANT OR WAX, AND ALL STAINLESS STEEL BOLT AND NUT THREADS ARE TO BE COATED WITH NICKEL ANTI-SIEZE COMPOUND PRIOR TO FASTENING
NOTE:
STAINLESS STEEL FASTENERS TO BE USED ON STAINLESS STEEL CONNECTIONS AS WELL AS CONNECTIONS OF STAINLESS STEEL TO MILD STEEL, COMPLETE WITH INSULATING GASKET SETS AT THESE 'DISLIKE' CONNECTIONS
- SPECIFIED DIMENSIONS OF BOLT HOLES IN ANY STEEL MEMBER AND ROUND WASHERS
a) BOLT HOLE

Bolt Size	M6	M8	M10	M12	M16	M20	M24	M30	M36
Hole Dia (max)	6,6	9	11	13,5	17,5	22	26	33	39
- ROUND WASHERS

Bolt Size	M6	M8	M10	M12	M16	M20	M24	M30	M36
Thickness (min)	1,6	1,6	2	2,5	3	3	4	4	5
Outside Dia (min)	12,5	17	21	24	30	37	44	56	66
Hole Dia (max)	6,6	9	11	14	18	22	26	33	39
Tolerance On	+ 0,18	0,22	0,22	0,27	0,27	0,33	0,33	0,33	0,62
Hole Dia	-	0	0	0	0	0	0	0	0
- STEEL PIPES & FITTINGS
ALL STEEL PIPES AND FITTINGS IN CONFORMITY WITH SANS 719/2002 GRADE B WITH DESIGN YIELD STRESS OF 241 Mpa

DESIGNED BY	H.T.
CHECKED BY	H.T.
DRAWN BY	T.M.
CHECKED BY	H.T.

VHEMBE DISTRICT MUNICIPALITY

PRIVATE BAG X5006
THOHOYANDOU
0950
TEL. (015) 960 2000
FAX. (015) 962 1017

MORULA CONSULTING ENGINEERS

P. o. Box 2740
POLOKWANE
0700
CONSULTING ENGINEERS & PROJECT MANAGERS
"a new dawn"
TEL. (015) 296-4460
FAX. (015) 296-4103

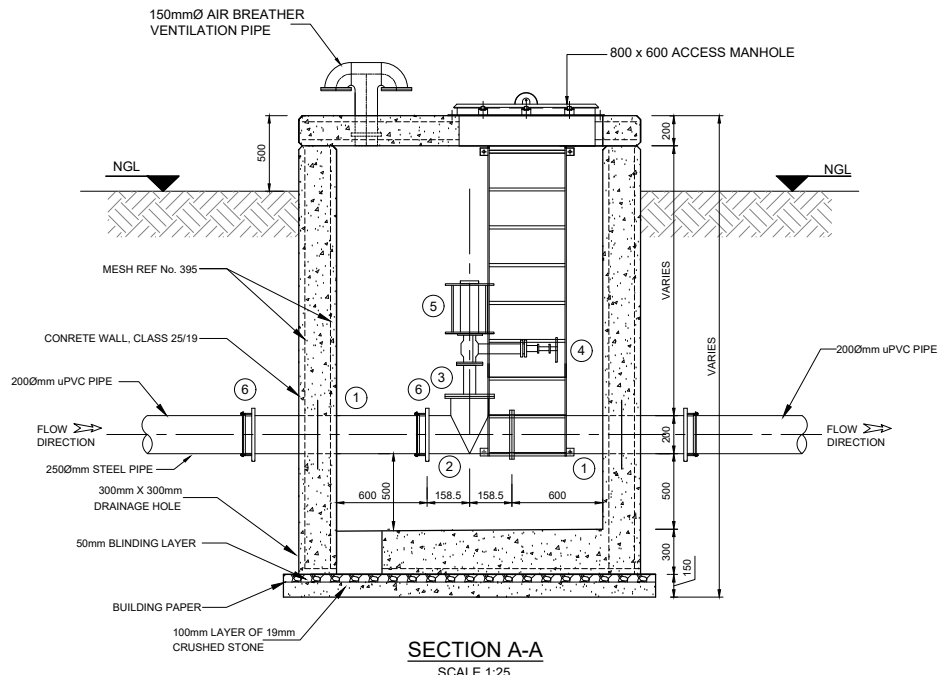
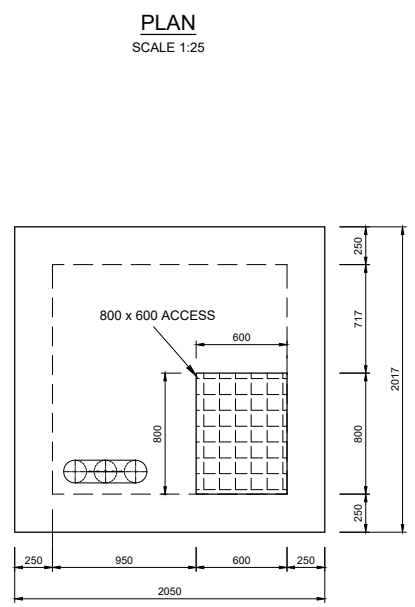
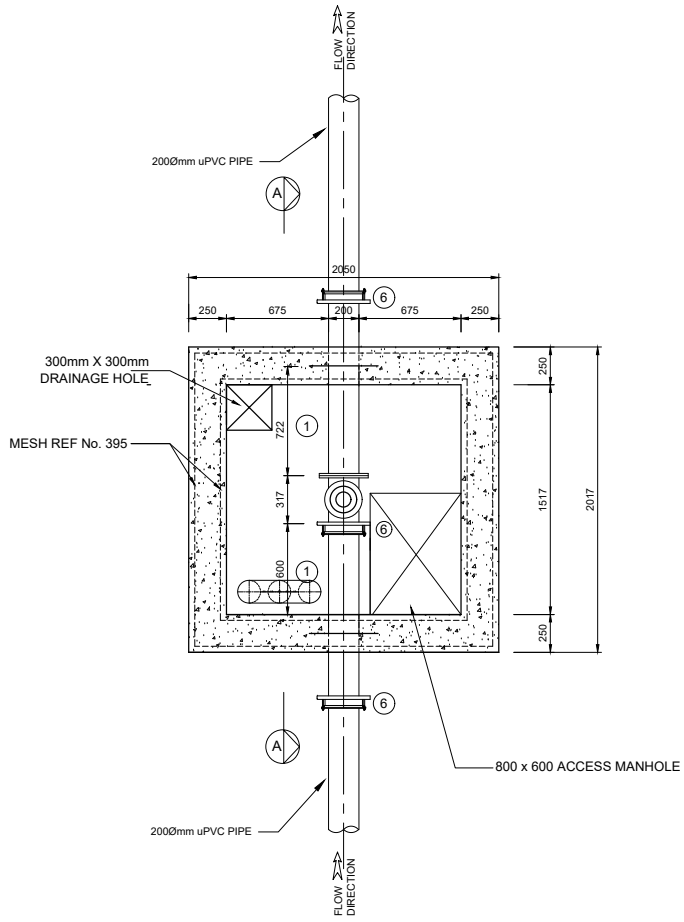
.....	DATE
.....	DATE

VHEMBE DISTRICT MUNICIPALITY PROJECT STATUS: TENDER

WATER SUPPLY-BULK AND RETICULATION UPGRADING OF NGWENANI THEMELI, NGULUMBI, NGOVHELA, MADAMALALA, PHINDULA, MAEMBANI AND MULEDZHI

TYPE 2 AIR VALVE CHAMBER DETAILS

(Full signature)	SHEET 1 OF 1
.....	SCALE AS SHOWN
DRAWING NUMBER	REVISION
MC/VDM/BRU/SD02	①



TYPICAL STEEL PIPE FITTINGS AND ITEM LIST (200ND PIPE LINE WITH 1600kPa MAX. WORKING PRESSURE)

ITEM NR.	DESCRIPTION	No. OFF	MATERIAL	DIMENSIONS
①	2000 x 1150mm LONG STEEL PIPE WITH PUDDLE FLANGE, ONE END PLAIN AND THE OTHER END FLANGED TO TABLE 1600/3	2	STEEL GRADE 300 WA	725 x 425
②	200 x 200 x 200 ND FLANGED MILD STEEL EQUAL TEE. BOTH ENDS FLANGED TO TABLE 1600/3	1	STEEL GRADE 300 WA	317
③	80 x 200 mm LONG FLANGED MILD STEEL PIPE, PN16. BOTH ENDS FLANGED TO TABLE 1600/3	1	STEEL GRADE 300 WA	80ND
④	800mm FLANGED, WATERWORKS PATTERN, RESILIENT SEAL GATE VALVE, NON-RISING SPINDLE, CLOCKWISE CLOSING, BALL THRUST COLLAR AND HANDWHEEL ACCORDING TO SANS 664:1999, PN16. BOTH ENDS FLANGED TO TABLE 1600/3.	1	SPHEROIDAL GRAPHITE IRON	229
⑤	'VENT-O-MAT' (OR APPROVED SIMILAR) MODEL 080 RBX 1601 LARGE ORIFICE AIR, RELEASE AND VACUUM BREAK VALVE WITH ANTI-SHOCK ORIFICE MECHANISM AND TEST COCK. VALVE TO BE SUPPLIED COMPLETE WITH MATING FLANGE FOR COUPLING TO FITTING '3'	1		80ND
⑥	200mmØ 'VIKING JOHNSON' (OR APPROVED SIMILAR) MILD STEEL FLANGE ADAPTOR, PN 16.	3		

MISSCELLANEOUS FITTINGS

a) ACCESS LADDERS 2165 mm LONG, FABRICATED, MILD STEEL, HOT DIP GALVANISED ACCESS LADDER, COMPLETE WITH M16 x 100mm LONG HOT DIP GALVANISED ANCHOR BOLTS.	1
b) VENTILATORS FABRICATED, MILD STEEL, HOT DIP GALVANISED VENTILATORS.	1
c) MANHOLE COVER 800 x 600 mm FABRICATED, HOT DIP GALVANISED MANHOLE COVER AND FRAME.	1

SCHEDULE OF MECHANICAL EQUIPMENT PIPEWORK & FITTINGS

- THESE NOTES APPLY TO ALL THE SCHEDULES HEREFOLLOWING:
- PIPE WALL THICKNESSES SHALL BE AS SPECIFIED IN THE TABLE ON THE SCHEDULE OF FITTINGS
 - ALL FLANGES TO BE DRILLED SANS 1123-2003 (EDITION 3) TABLES 1000/3; 1600/3; 2500/3; 4000/3 AS DETAILED AND REFERRED TO AS 1000/3; 1600/3; 2500/3 AND 4000/3 IN THE SCHEDULE OF FITTINGS
 - MAKE OF ALL VALVES TO BE APPROVED BY ENGINEER IN WRITING
 - THE LENGTHS OF PIPES AND FITTINGS ARE APPROXIMATE ONLY - ACTUAL LENGTH TO BE ADVISED ONLY AFTER APPROVAL OF VALVES BY ENGINEER
 - NO ALLOWANCES HAVE BEEN MADE IN PIPE AND FITTING DIMENSIONS FOR PACKINGS, GASKETS AND GAPS BETWEEN PIPEWORK - PROVISION FOR THESE TO BE MADE BY SUPPLIERS
 - FLANGE HOLES TO BE DRILLED TO ALLOW EXACT ALIGNMENT VERTICALLY AND HORIZONTALLY, AS DETAILED ON THE DRAWINGS, OF ALL PIPEWORK AND EQUIPMENT
 - WHERE PLAIN ENDS, FOR FLEXIBLE COUPLINGS, ARE CALLED FOR ON STEEL PIPES, THE DIMENSIONS OF SUCH PLAIN ENDS AND THE CORRESPONDING FLEXIBLE COUPLINGS ARE TO BE MATCHED
 - ALL WELDING TO BE FULL STRENGTH, FULL PENETRATION

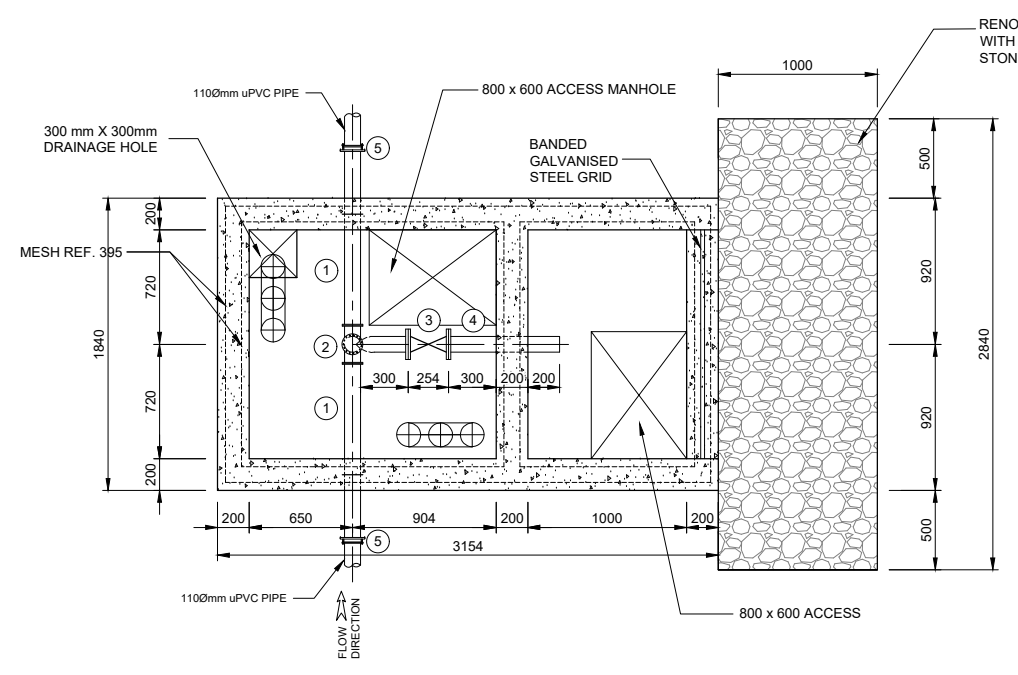
- RADI APPLICABLE TO PIPE PEDESTALS AND STRAPS TO BE VERIFIED FOR FULL SUPPORT OF PIPE OVER ENTIRE SUPPORT AND STRAPPING AREA
- CORROSION PROTECTION TO BE IN ACCORDANCE WITH SPECIFICATIONS, AS SET OUT IN THE CONTRACT DOCUMENT
 LEGEND OF CORROSION PROTECTION TREATMENT AS FOLLOWS:
 G : GALVANISING
 ET : EPOXY TAR
 EC : EPOXY COATING
 D : DENSO TAPE WRAPPING
 P : PAINTING
 a) GALVANISING - WHERE GALVANISING IS SPECIFIED IT SHALL BE CARRIED OUT BY THE HOT DIP PROCESS TO PROVIDE A MINIMUM THICKNESS OF ZINC COATING OF 105 MICRON IN ACCORDANCE WITH SANS ISO 1461 AND SANS ISO 14713 (AS AMENDED)
 b) TWO PACK EPOXY - PRIOR TO EPOXY COATING OR LINING TAKING PLACE, ALL PIPES AND FITTINGS SHALL BE PREPARED AND TREATED IN ACCORDANCE WITH THE PARTICULAR SPECIFICATION IN THE DOCUMENT.
 THE EPOXY COATING/LINING SHALL BE APPLIED IN THE WORKSHOP BY SPRAYING TO A FINAL DRY FILM THICKNESS OF NOT LESS THAN 400 MICRON. AFTER INSTALLATION ANY CHIPS OR SCRATCHES SHALL BE MADE GOOD ON SITE WITH BRUSH APPLIED EPOXY PAINT, WHEREAFTER A FINAL TOP COAT, ACCORDING TO THE STANDARD DWAF COLOUR CODING SYSTEM, SHALL BE APPLIED TO ALL EXPOSED EPOXY COATED SURFACES TO A MINIMUM DRY FILM THICKNESS OF 30 MICRON.
 c) STAINLESS STEEL WELDED JOINTS SHALL BE TREATED AS FOLLOWS :- AFTER WELDING THE COATING AND LINING ARE TO BE REPAIRED USING AN APPROVED 2-PACK EPOXY TO THE SPECIFIED MINIMUM THICKNESS, WHEREAFTER THE SURFACES ARE TO BE THOROUGHLY CLEANED AS DESCRIBED IN THE PARTICULAR SPECIFICATIONS IN THE DOCUMENT, AFTER WHICH THE JOINT SHALL BE PRIMED WITH 'DENSO OD' PRIMER (OR APPROVED SIMILAR) AND WRAPPED WITH AN APPROVED BUTYL LAMINATE TAPE PIPELINE PROTECTION TAPE (SUCH AS 'DENSO S43/R23 BUTYL TAPE WRAPPING, OR APPROVED SIMILAR).
 d) ALL BURIED PIPELINE COUPLINGS ARE TO BE TREATED WITH A PETROLATUM MASTIC BLANKET AND COATED TAPE BACKING, WHEREAFTER THE JOINT IS TO BE PLASTIC WRAPPED, ACCORDING TO SPECIFICATION.
- THESE SCHEDULES TO BE READ IN CONJUNCTION WITH THE DRAWINGS AND SPECIFICATIONS
- ALL LEVELS TO BE VERIFIED ON SITE PRIOR TO THE COMMENCEMENT OF ANY WORK, AND THE ENGINEER TO BE NOTIFIED IN CASE OF ANY DISCREPANCIES
- ALL PACKINGS, NUTS, BOLTS AND WASHERS TO BE SUPPLIED WITH FITTINGS TO ENSURE THE COMPLETE INSTALLATION AND CORRECT OPERATION OF THE ENTIRE PUMPING EQUIPMENT AND/OR PIPEWORK INSTALLATION
- ALTHOUGH THE USE OF FINE THREAD NUTS AND BOLTS IS SOUND ENGINEERING PRACTICE FOR COUPLING OF FLANGED FITTINGS, IT IS NOT OBLIGATORY. THE ONUS REMAINS ON THE CONTRACTOR TO ENSURE A DRIP TIGHT FIT WITHOUT WARPING OF FLANGES
- ALL BOLTED CONNECTIONS TO BE PETROLATUM COATED, IN ACCORDANCE WITH DWAF STANDARD SPECIFICATION DWS 9900, SECTIONS C1 AND C3
- FASTENERS : ALL FASTENERS, UNLESS OTHERWISE SPECIFIED, ARE TO BE MILD STEEL, HOT DIP GALVANISED, WITH THREADS COATED WITH MOLYBDENUM DISULPHIDE LUBRICANT
- ALL HOT DIP GALVANISED MILD STEEL BOLT AND NUT THREADS ARE TO BE COATED WITH MOLYBDENUM DISULPHIDE LUBRICANT OR WAX, AND ALL STAINLESS STEEL BOLT AND NUT THREADS ARE TO BE COATED WITH NICKEL ANTI-SIEZE COMPOUND PRIOR TO FASTENING
 NOTE:
 STAINLESS STEEL FASTENERS TO BE USED ON STAINLESS STEEL CONNECTIONS AS WELL AS CONNECTIONS OF STAINLESS STEEL TO MILD STEEL, COMPLETE WITH INSULATING GASKET SETS AT THESE 'DISLIKE' CONNECTIONS
- SPECIFIED DIMENSIONS OF BOLT HOLES IN ANY STEEL MEMBER AND ROUND WASHERS
 a) BOLT HOLE

Bolt Size	M6	M8	M10	M12	M16	M20	M24	M30	M36
Hole Dia (max)	6,6	9	11	13,5	17,5	22	26	33	39

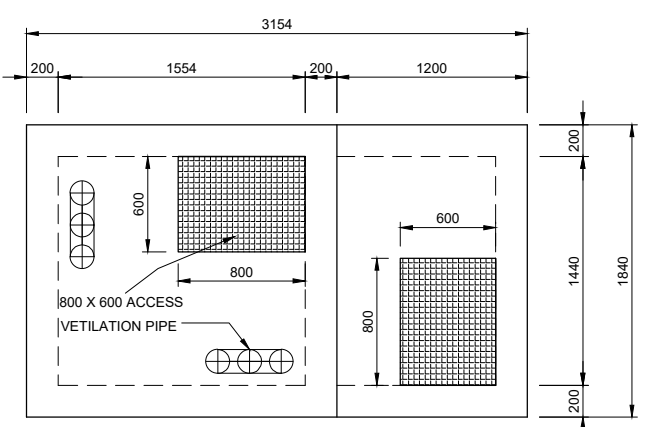
 b) ROUND WASHERS

Bolt Size	M6	M8	M10	M12	M16	M20	M24	M30	M36
Thickness (min)	1,6	1,6	2	2,5	3	3	4	4	5
Outside Dia (min)	12,5	17	21	24	30	37	44	56	66
Hole Dia (max)	6,6	9	11	14	18	22	26	33	39
Tolerance On Hole Dia	+ 0,18	0,22	0,22	0,27	0,27	0,33	0,33	0,33	0,62
	- 0	0	0	0	0	0	0	0	0
- STEEL PIPES & FITTINGS
 ALL STEEL PIPES AND FITTINGS IN CONFORMITY WITH SANS 719/2002 GRADE B WITH DESIGN YIELD STRESS OF 241 Mpa

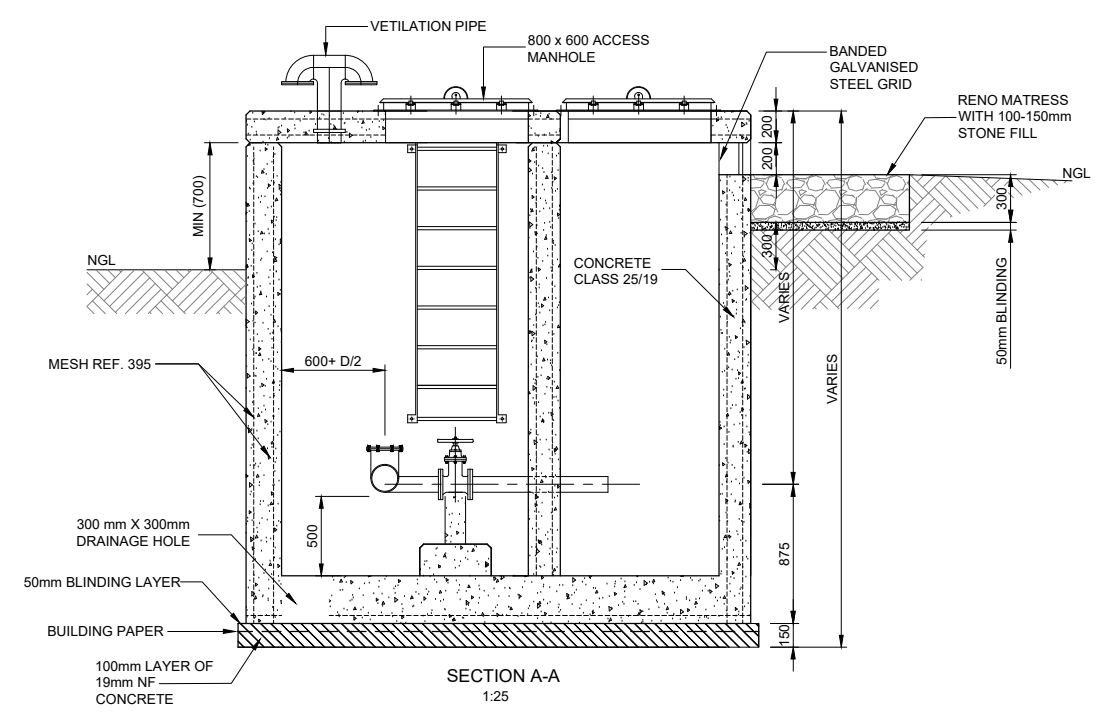
- NOTES:**
- FOUNDATIONS:**
 - The Contractor shall ensure that all excavation work is carried out in compliance with the Construction Regulations in terms of OHASA Act No. 85 of 1993.
 - The exposed founding plane, depths of all bases and strip footings shall be determined and observed on site by the Engineer prior to concreting.
 - All column bases shall be cast on a blinding layer of at least 50mm and not more than 250mm thick.
 - Top level of blinding in basins to be made available to the Engineer in order to amend reinforcement if necessary to actual levels.
 - Safe bearing capacity of ground 200 kPa.
 - FORMWORK**
 - The Contractor shall ensure that all formwork and support work operations are carried in compliance with the Construction Regulations in terms of OHASA Act No. 85 of 1993.
 - Stripping times of the formwork shall be to the Engineer's site instructions.
 - REINFORCEMENT**
 - All reinforcing steel shall be wire-brushed and kept clean and free of any mill-scale, rust, oil or any other deleterious compounds.
 - Welding of reinforcing steel will not be permitted.
 - Legend for positions of reinforcement:
 - T1 : Highest of the top layers
 - T2 : Second highest of the top layers
 - B1 : Lowest of the bottom layers
 - B2 : Second lowest of the bottom layers
 - NF.I : Near face inner
 - NF.O : Near face outer
 - FF.I : Far face inner
 - FF.O : Far face outer
 - EF.I : Each face inner
 - EF.O : Each face outer
 - Concrete must be cured for at least 7 days by preventing the evaporation of moisture from the concrete by an approved method.
 - CONCRETE:**
 - All cement to be used shall conform to SANS 50197-1. Only CEM 1, 42.5 or 32.5R cement shall be used.
 - Prescribed mix 10/19 in blinding layers.
 - Prescribed mix 15/19 in wall strip footings.
 - Strength mix concrete:
 - i) Class 25/19 in bases and columns
 - ii) Class 25/19 in beams and slabs
 - Cover to reinforcement (unless otherwise stated), including links, shall be:
 - i) 50mm in column bases
 - ii) 40mm in columns
 - iii) 20mm in all other reinforced concrete work
 - All reinforced concrete work shall be carried out in accordance with the latest issues of SABS-0100 and SABS-1200G with degree of accuracy II, with special attention to the following:
 - A concrete mix design for each class shall be submitted to the Engineer before any concrete is cast.
 - Concrete test cubes shall be made in sets of four, with one cube tested at the age of 7 days for early-strength indication, and the other three cubes tested at the age of 28 days. All test results shall be made available to the Engineer as soon as they become available.
 - Construction joints: Only horizontal construction joints to be allowed for preparation & treatment see not 4.08
 - Laps in adjacent ring reinforcement to be staggered.
 - Ferrules shall be of the permanent sacrificial type such as coil ties or crimp ties. Ferrule cup holes to be repaired on inside face with approved epoxy or non-shrink is cast.
 - Curing:**
 - Concrete must be cured for at least 7 days by preventing the evaporation of moisture from the concrete by covering with polythene sheeting or other suitable means.
 - Surface finishes:**
 - Floor and overflow channel:
 - Wood floated
 - Rubbed
 - External face of wall above indicated terrace level:
 - Rubbed
 - Remainder of shuttered surfaces:
 - Off-shutter
 - 12 All exposed concrete edges to have a 25mm chamfer.
 - 13 Prior to construction of each phase of concrete, the Contractor shall give written notice and afford the Engineer to observe the alignment and level of all formwork, reinforcing steel and works to be cast in.
 - INSECTICIDE**
 - Safe and effective specialist application of soil insecticide for protection from sub-terranean wood-destroying termites, all in accordance to SANS 10124:2006, beneath:
 - All ground floor slabs
 - All paved areas
 - GENERAL**
 - Read this plan in conjunction with all the relevant drawings.
 - Read this plan in conjunction with the Architect's drawings.
 - All dimensions in millimetres.
 - Scale: Only dimensions shown on the drawings may be used for the construction of the Works and no dimension may be scaled without the written instruction of the Engineer
 - All levels and dimensions to be verified on site prior to the commencement of any work, and the Engineer to be notified in case of any discrepancies.
 - Any approval, check, certificate, consent, examination, inspection, instruction, notice, observation, proposal, request, test or similar act by the Engineer (including absence of disapproval) shall not relieve the Contractor from any responsibility he has under the Contract, including responsibility for errors, omissions, discrepancies and non-compliances.



PLAN 1:25



COVER SLAB DETAILS 1:25



SECTION A-A 1:25

TYPICAL STEEL PIPE FITTINGS AND ITEM LIST (100ND PIPE LINE WITH 1600kPa MAX. WORKING PRESURE)				
ITEM NR.	DESCRIPTION	No. OFF	MATERIAL	DIMENSIONS
①	1000 x 1100mm LONG STEEL PIPE WITH PUDDLE FLANGE, ONE END PLAIN AND THE OTHER END FLANGED TO TABLE 1600/3	2	STEEL GRADE 300 WA	
②	100 x 100 x 100 ND FLANGED STEEL SCOUR TEE. BOTH ENDS FLANGED TO TABLE 1600/3	1	STEEL GRADE 300 WA	
③	1000mm FLANGED, WATERWORKS PATTERN, RESILIENT SEAL GATE VALVE, NON-RISING SPINDLE, CLOCKWISE CLOSING, BALL THRUST COLLAR AND HANDWHEEL ACCORDING TO SANS 664:1999, PN16. BOTH ENDS FLANGED TO TABLE 1600/3.	1	SPHEROIDAL GRAPHITE IRON	
④	1000 x 700mm LONG STEEL PIPE, ONE END PLAIN AND THE OTHER END FLANGED TO TABLE 1600/3	1	STEEL GRADE 300 WA	
⑤	1000 VIKING JOHNSON DISMANTLING JOINT (OR SIMILAR APPROVED), PN16. BOTH ENDS FLANGED TO TABLE 1600/3.	1	STEEL GRADE 300 WA	
MISCELLANEOUS FITTINGS				
a)	ACCESS LADDERS FABRICATED, MILD STEEL, HOT DIP GALVANISED ACCESS LADDER.	1		
b)	VENTILATORS FABRICATED, MILD STEEL, HOT DIP GALVANISED VENTILATORS.	1 SET		
c)	MANHOLE COVER 800 x 600 mm FABRICATED, HOT DIP GALVANISED MANHOLE COVER AND FRAME.	2		

DESIGNED BY	H.T.
CHECKED BY	H.T.
DRAWN BY	T.M.
CHECKED BY	H.T.

VHEMBE DISTRICT MUNICIPALITY

PRIVATE BAG X5006
THOHYANDOU
0950
TEL. (015) 960 2000
FAX. (015) 962 1017

MORULA CONSULTING ENGINEERS

P. o. Box 2740
PULOKWANE
0700
CONSULTING ENGINEERS & PROJECT MANAGERS
"a new dawn"
TEL. (015) 296-4460
FAX. (015) 296-4103

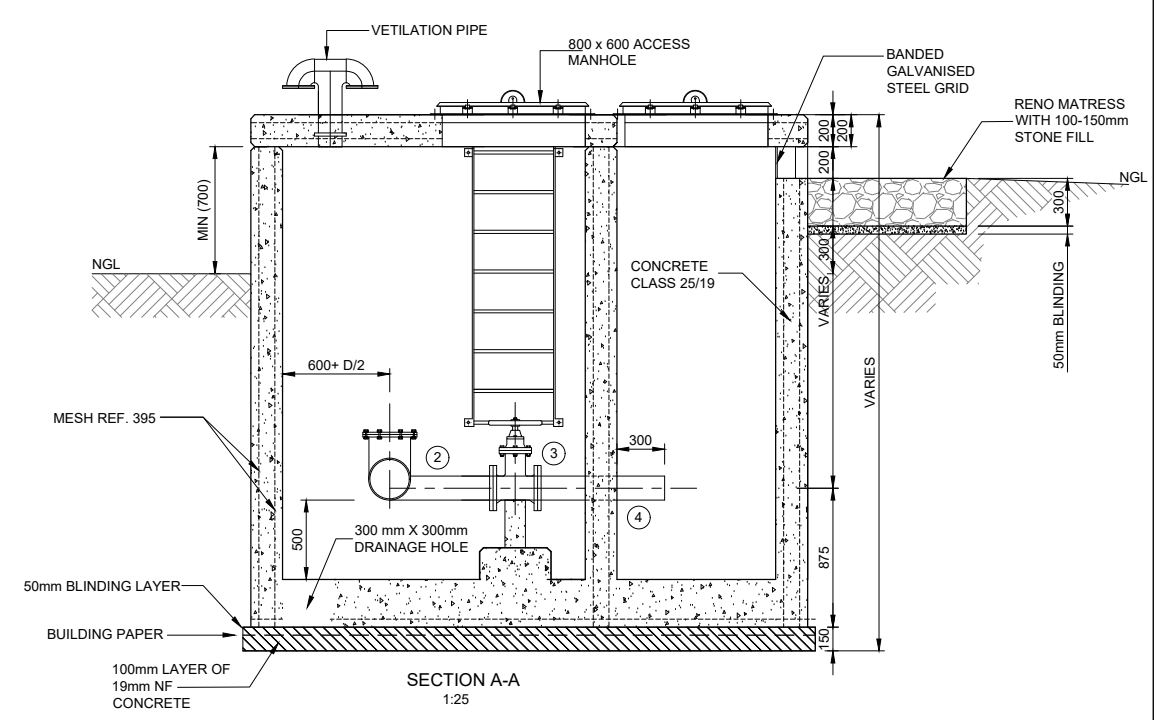
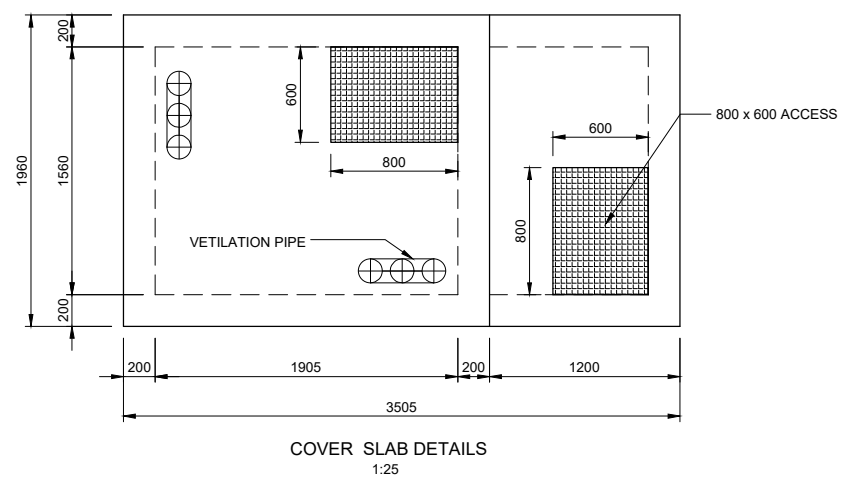
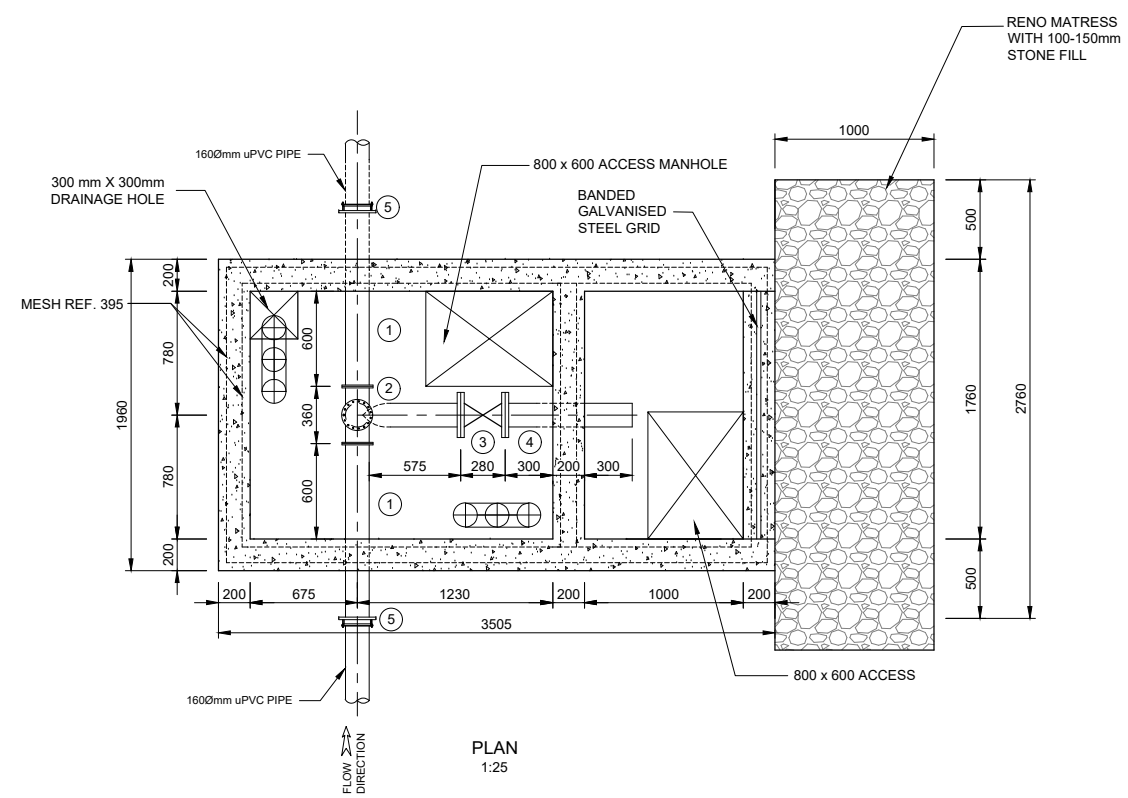
VDM	DATE
CONSULTING ENGINEER	DATE

VHEMBE DISTRICT MUNICIPALITY PROJECT STATUS: TENDER

WATER SUPPLY-BULK AND RETICULATION UPGRADING OF NGWENANI THEMELI, NGULUMBI, NGOVHELA, MADAMALALA, PHINDULA, MAEMBANI AND MULEDZHI

TYPE 1 SCOUR VALVE CHAMBER DETAILS

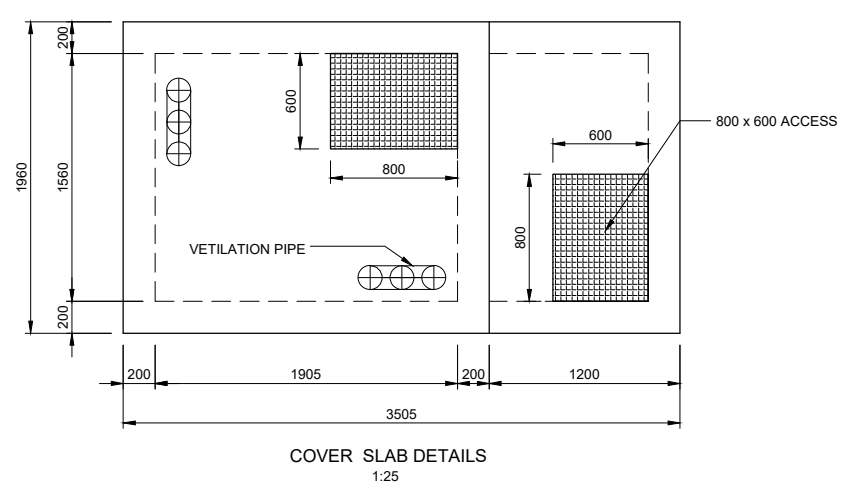
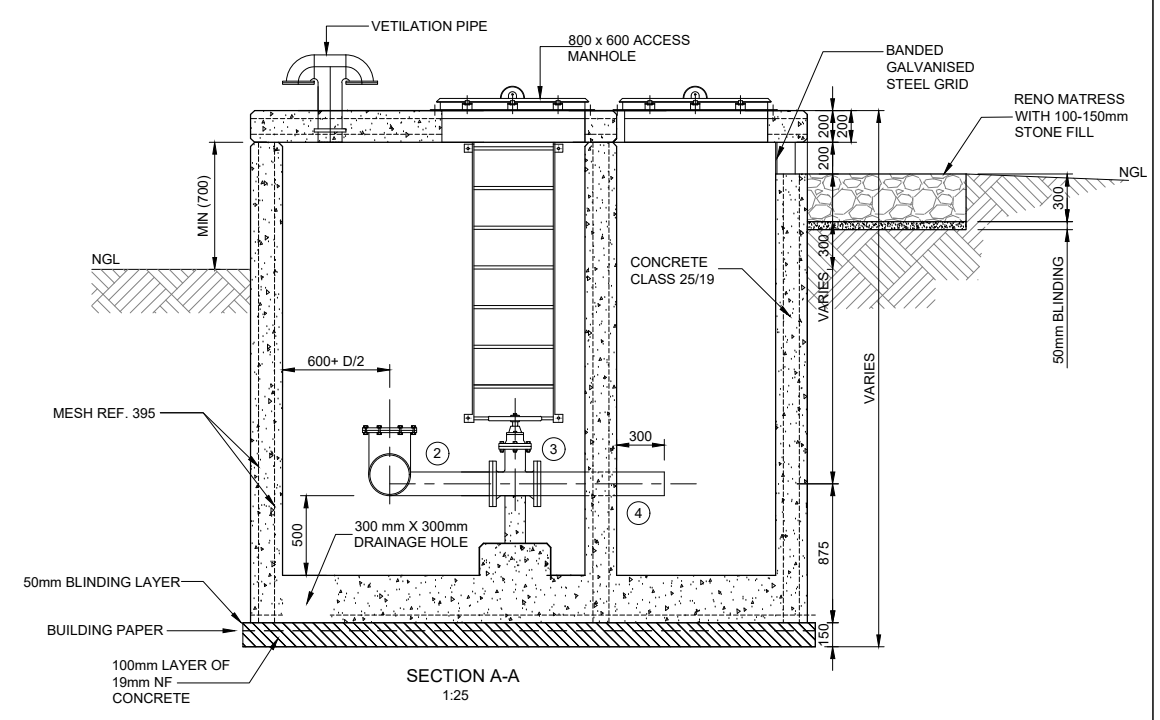
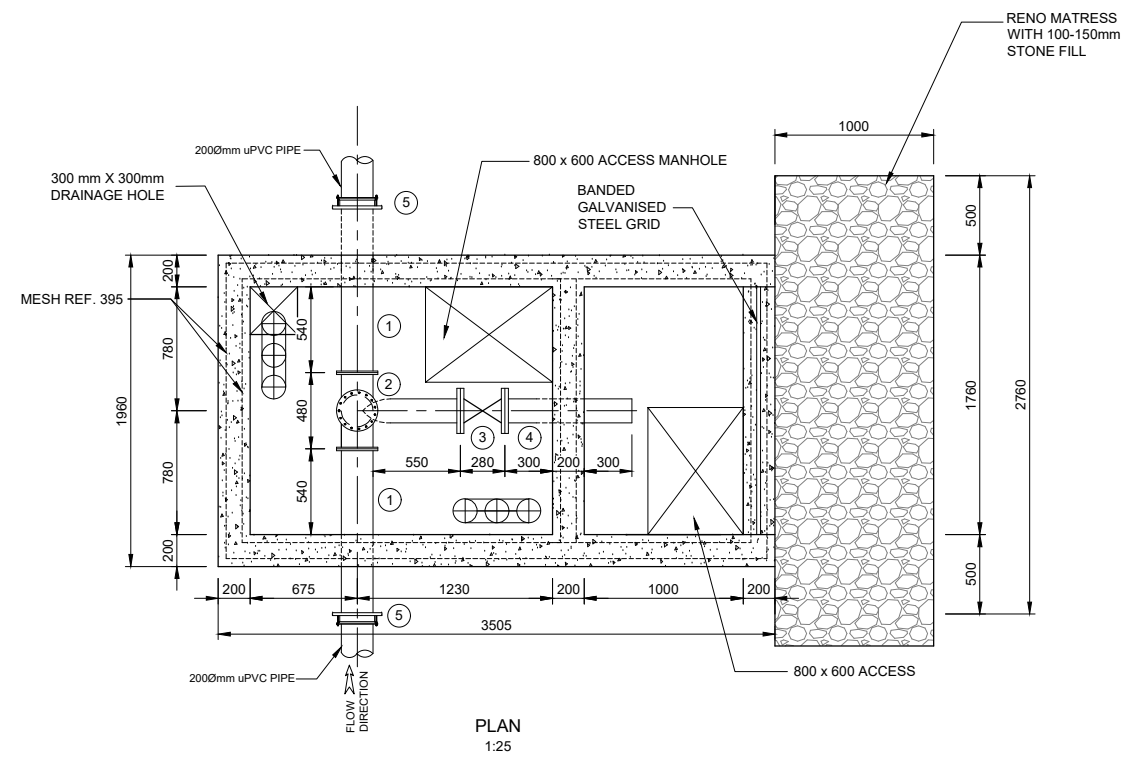
(Full signature)	SHEET 1 OF 1
SCALE	AS SHOWN
DRAWING NUMBER	REVISION
MC/VDM/BRU/SD04	①



TYPICAL STEEL PIPE FITTINGS AND ITEM LIST (150ND PIPE LINE WITH 1600kPa MAX. WORKING PRESURE)				
ITEM NR.	DESCRIPTION	No. OFF	MATERIAL	DIMENSIONS
①	1500 x 1100mm LONG STEEL PIPE WITH PUDDLE FLANGE, ONE END PLAIN AND THE OTHER END FLANGED TO TABLE 1600/3	2	STEEL GRADE 300 WA	
②	150 x 150 x 150 ND FLANGED STEEL SCOUR TEE. BOTH ENDS FLANGED TO TABLE 1600/3	1	STEEL GRADE 300 WA	
③	1500mm FLANGED, WATERWORKS PATTERN, RESILIENT SEAL, GATE VALVE, NON-RISING SPINDLE, CLOCKWISE CLOSING, BALL THRUST COLLAR AND HANDWHEEL ACCORDING TO SANS 664:1999, PN16. BOTH ENDS FLANGED TO TABLE 1600/3.	1	SPHEROIDAL GRAPHITE IRON	
④	1500 x 800mm LONG STEEL PIPE, ONE END PLAIN AND THE OTHER END FLANGED TO TABLE 1600/3	1	STEEL GRADE 300 WA	
⑤	1500 VIKING JOHNSON DISMANTLING JOINT (OR SIMILAR APPROVED), PN16. BOTH ENDS FLANGED TO TABLE 1600/3.	1	STEEL GRADE 300 WA	
MISCELLANEOUS FITTINGS				
	a) ACCESS LADDERS FABRICATED, MILD STEEL, HOT DIP GALVANISED ACCESS LADDER, COMPLETE WITH M16 x 100mm LONG HOT DIP GALVANISED ANCHOR BOLTS.	1		
	b) VENTILATORS FABRICATED, MILD STEEL, HOT DIP GALVANISED VENTILATORS.	1 SET		
	c) MANHOLE COVER 800 x 600 mm FABRICATED, HOT DIP GALVANISED MANHOLE COVER AND FRAME.	2		

- NOTES:**
- FOUNDATIONS:**
 - The Contractor shall ensure that all excavation work is carried out in compliance with the Construction Regulations in terms of OHASA Act No. 85 of 1993.
 - The exposed founding plane, depths of all bases and strip footings shall be determined and observed on site by the Engineer prior to concreting.
 - All column bases shall be cast on a blinding layer of at least 50mm and not more than 250mm thick.
 - Top level of blinding in bases to be made available to the Engineer in order to amend reinforcement if necessary to actual levels.
 - Safe bearing capacity of ground 200 kPa.
 - FORMWORK**
 - The Contractor shall ensure that all formwork and support work operations are carried in compliance with the Construction Regulations in terms of OHASA Act No. 85 of 1993.
 - Stripping times of the formwork shall be to the Engineer's site instructions.
 - REINFORCEMENT**
 - All reinforcing steel shall be wire-brushed and kept clean and free of any mill-scale, rust, oil or any other deleterious compounds.
 - Welding of reinforcing steel will not be permitted.
 - Legend for positions of reinforcement:
 - T1 : Highest of the top layers
 - T2 : Second highest of the top layers
 - B1 : Lowest of the bottom layers
 - B2 : Second lowest of the bottom layers
 - NF.I : Near face inner
 - NF.O : Near face outer
 - FF.I : Far face inner
 - FF.O : Far face outer
 - EF.I : Each face inner
 - EF.O : Each face outer
 - Concrete must be cured for at least 7 days by preventing the evaporation of moisture from the concrete by an approved method.
 - CONCRETE:**
 - All cement to be used shall conform to SANS 50197-1. Only CEM 1, 42.5 or 32.5R cement shall be used.
 - Prescribed mix 10/19 in blinding layers.
 - Prescribed mix 15/19 in wall strip footings.
 - Strength mix concrete:
 - Class 25/19 in bases and columns
 - Class 25/19 in beams and slabs
 - Cover to reinforcement (unless otherwise stated), including links, shall be:
 - 50mm in column bases
 - 40mm in columns
 - 20mm in all other reinforced concrete work
 - All reinforced concrete work shall be carried out in accordance with the latest issues of SABS-0100 and SABS-1200G with degree of accuracy II, with special attention to the following:
 - A concrete mix design for each class shall be submitted to the Engineer before any concrete is cast.
 - Concrete test cubes shall be made in sets of four, with one cube tested at the age of 7 days for early-strength indication, and the other three cubes tested at the age of 28 days. All test results shall be made available to the Engineer as soon as they become available.
 - Construction joints: Only horizontal construction joints to be allowed for preparation & treatment see not 4.08
 - Laps in adjacent ring reinforcement to be staggered.
 - Ferrules shall be of the permanent sacrificial type such as coil ties or crimp ties. Ferrule cup holes to be repaired on inside face with approved epoxy or non-shrink
 - Curing:** Concrete must be cured for at least 7 days by preventing the evaporation of moisture from the concrete by covering with polythene sheeting or other suitable means.
 - Surface finishes:**
 - Floor and overflow channel: Wood floated
 - External face of wall above indicated terrace level: Rubbed
 - Remainder of shuttered surfaces: Off-shutter
 - All exposed concrete edges to have a 25mm chamfer.
 - Prior to construction of each phase of concrete, the Contractor shall give written notice and afford the Engineer to observe the alignment and level of all formwork, reinforcing steel and works to be cast in.
 - INSECTICIDE**
 - Safe and effective specialist application of soil insecticide for protection from sub-terranean wood-destroying termites, all in accordance to SANS 10124:2006, beneath:
 - All ground floor slabs
 - All paved areas
 - GENERAL**
 - Read this plan in conjunction with all the relevant drawings.
 - Read this plan in conjunction with the Architect's drawings.
 - All dimensions in millimetres.
 - Scale: Only dimensions shown on the drawings may be used for the construction of the Works and no dimension may be scaled without the written instruction of the Engineer.
 - All levels and dimensions to be verified on site prior to the commencement of any work, and the Engineer to be notified in case of any discrepancies.
 - Any approval, check, certificate, consent, examination, inspection, instruction, notice, observation, proposal, request, test or similar act by the Engineer (including absence of disapproval) shall not relieve the Contractor from any responsibility he has under the Contract, including responsibility for errors, omissions, discrepancies and non-compliances.

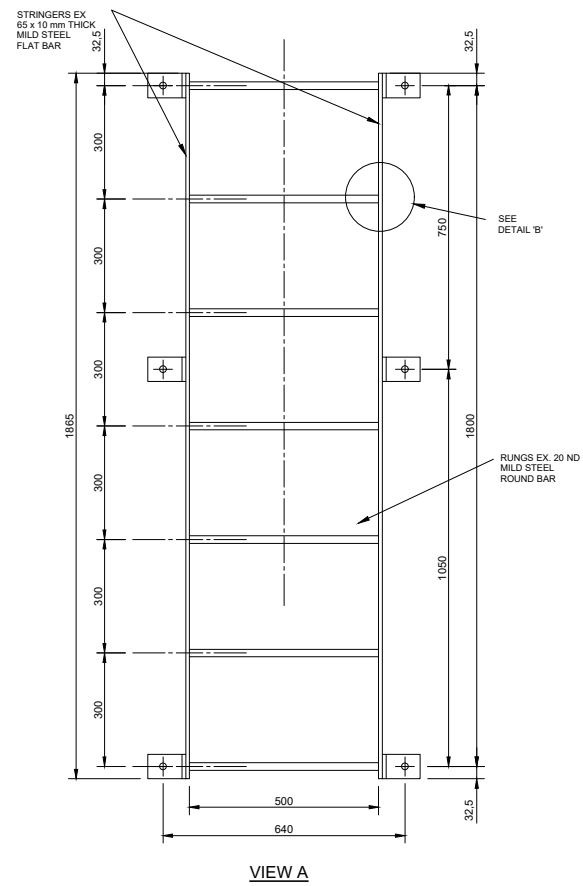
DESIGNED BY	H.T.	<p>VHEMBE DISTRICT MUNICIPALITY PRIVATE BAG X5006 THOHOYANDOU 0950 TEL. (015) 960 2000 FAX. (015) 962 1017</p>	<p>MORULA CONSULTING ENGINEERS P.o.Box 2740 POLOKWANE 0700 CONSULTING ENGINEERS & PROJECT MANAGERS "a new dawn" TEL. (015) 296-4460 FAX. (015) 296-4103</p>	VDM	DATE	VHEMBE DISTRICT MUNICIPALITY	PROJECT STATUS: TENDER	(Full signature)	SHEET 1 OF 1	
CHECKED BY	H.T.					WATER SUPPLY-BULK AND RETICULATION UPGRADING OF NGWENANI THEMELI, NGULUMBI, NGOVHELA, MADAMALALA, PHINDULA, MAEMBANI AND MULEDZHI	SCALE AS SHOWN			
DRAWN BY	T.M.									
CHECKED BY	H.T.									
No	DATE	REVISION	CONSULT	DIR	CONSULTING ENGINEER	DATE	TYPE 2 SCOUR VALVE CHAMBER DETAILS		DRAWING NUMBER MC/VDM/BRU/SD05	REVISION ①



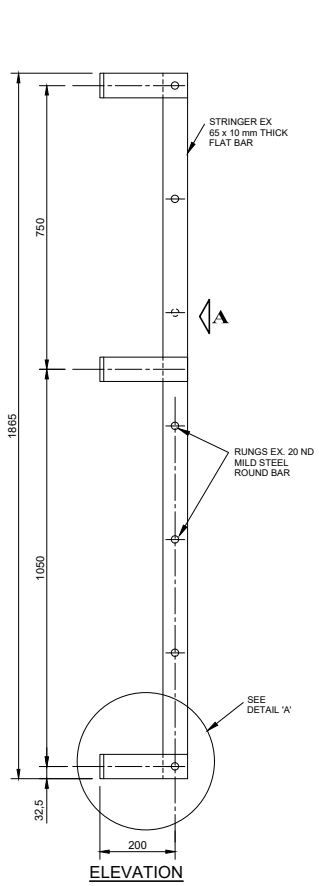
TYPICAL STEEL PIPE FITTINGS AND ITEM LIST (200ND PIPE LINE WITH 1600kPa MAX. WORKING PRESURE)				
ITEM NR.	DESCRIPTION	No. OFF	MATERIAL	DIMENSIONS
①	2000 x 1040mm LONG STEEL PIPE WITH PUDDLE FLANGE, ONE END PLAIN AND THE OTHER END FLANGED TO TABLE 1600/3	2	STEEL GRADE 300 WA	
②	200 x 200 x 150 ND FLANGED STEEL SCOUR TEE, BOTH ENDS FLANGED TO TABLE 1600/3	1	STEEL GRADE 300 WA	
③	1500mm FLANGED, WATERWORKS PATTERN, RESILIENT SEAL GATE VALVE, NON-RISING SPINDLE, CLOCKWISE CLOSING, BALL THRUST COLLAR AND HANDWHEEL ACCORDING TO SANS 664:1999, PN16. BOTH ENDS FLANGED TO TABLE 1600/3.	1	SPHEROIDAL GRAPHITE IRON	
④	1500 x 800mm LONG STEEL PIPE, ONE END PLAIN AND THE OTHER END FLANGED TO TABLE 1600/3	1	STEEL GRADE 300 WA	
⑤	2000 VIKING JOHNSON DISMANTLING JOINT (OR SIMILAR APPROVED), PN16. BOTH ENDS FLANGED TO TABLE 1600/3.	1	STEEL GRADE 300 WA	
MISCELLANEOUS FITTINGS				
	a) ACCESS LADDERS FABRICATED, MILD STEEL, HOT DIP GALVANISED ACCESS LADDER, COMPLETE WITH M16 x 100mm LONG HOT DIP GALVANISED ANCHOR BOLTS.	1		
	b) VENTILATORS FABRICATED, MILD STEEL, HOT DIP GALVANISED VENTILATORS.	1 SET		
	c) MANHOLE COVER 800 x 600 mm FABRICATED, HOT DIP GALVANISED MANHOLE COVER AND FRAME.	2		

- NOTES:**
- FOUNDATIONS:**
 - The Contractor shall ensure that all excavation work is carried out in compliance with the Construction Regulations in terms of OHASA Act No. 85 of 1993.
 - The exposed founding plane, depths of all bases and strip footings shall be determined and observed on site by the Engineer prior to concreting.
 - All column bases shall be cast on a blinding layer of at least 50mm and not more than 250mm thick.
 - Top level of blinding in bases to be made available to the Engineer in order to amend reinforcement if necessary to actual levels.
 - Safe bearing capacity of ground 200 kPa.
 - FORMWORK**
 - The Contractor shall ensure that all formwork and support work operations are carried in compliance with the Construction Regulations in terms of OHASA Act No. 85 of 1993.
 - Stripping times of the formwork shall be to the Engineer's site instructions.
 - REINFORCEMENT**
 - All reinforcing steel shall be wire-brushed and kept clean and free of any mill-scale, rust, oil or any other deleterious compounds.
 - Welding of reinforcing steel will not be permitted.
 - Legend for positions of reinforcement:
 - T1 : Highest of the top layers
 - T2 : Second highest of the top layers
 - B1 : Lowest of the bottom layers
 - B2 : Second lowest of the bottom layers
 - NF.I : Near face inner
 - NF.O : Near face outer
 - FF.I : Far face inner
 - FF.O : Far face outer
 - EF.I : Each face inner
 - EF.O : Each face outer
 - Concrete must be cured for at least 7 days by preventing the evaporation of moisture from the concrete by an approved method.
 - CONCRETE:**
 - All cement to be used shall conform to SANS 50197-1. Only CEM 1, 42.5 or 32.5R cement shall be used.
 - Prescribed mix 10/19 in blinding layers.
 - Prescribed mix 15/19 in wall strip footings.
 - Strength mix concrete:
 - i) Class 25/19 in bases and columns
 - ii) Class 25/19 in beams and slabs
 - Cover to reinforcement (unless otherwise stated), including links, shall be:
 - i) 50mm in column bases
 - ii) 40mm in columns
 - iii) 20mm in all other reinforced concrete work
 - All reinforced concrete work shall be carried out in accordance with the latest issues of SABS-0100 and SABS-1200G with degree of accuracy II, with special attention to the following:
 - A concrete mix design for each class shall be submitted to the Engineer before any concrete is cast.
 - Concrete test cubes shall be made in sets of four, with one cube tested at the age of 7 days for early-strength indication, and the other three cubes tested at the age of 28 days. All test results shall be made available to the Engineer as soon as they become available.
 - Construction joints: Only horizontal construction joints to be allowed for preparation & treatment see not 4.08
 - Laps in adjacent ring reinforcement to be staggered.
 - Ferrules shall be of the permanent sacrificial type such as coil ties or crimp ties. Ferrule cup holes to be repaired on inside face with approved epoxy or non-shrink
 - Curing:** Concrete must be cured for at least 7 days by preventing the evaporation of moisture from the concrete by covering with polythene sheeting or other suitable means.
 - Surface finishes:**
 - Floor and overflow channel: Wood floated
 - External face of wall above indicated terrace level: Rubbed
 - Remainder of shuttered surfaces: Off-shutter
 - All exposed concrete edges to have a 25mm chamfer.
 - Prior to construction of each phase of concrete, the Contractor shall give written notice and afford the Engineer to observe the alignment and level of all formwork, reinforcing steel and works to be cast in.
 - INSECTICIDE**
 - Safe and effective specialist application of soil insecticide for protection from sub-terranean wood-destroying termites, all in accordance to SANS 10124:2006, beneath:
 - All ground floor slabs
 - All paved areas
 - GENERAL**
 - Read this plan in conjunction with all the relevant drawings.
 - Read this plan in conjunction with the Architect's drawings.
 - All dimensions in millimetres.
 - Scale: Only dimensions shown on the drawings may be used for the construction of the Works and no dimension may be scaled without the written instruction of the Engineer.
 - All levels and dimensions to be verified on site prior to the commencement of any work, and the Engineer to be notified in case of any discrepancies.
 - Any approval, check, certificate, consent, examination, inspection, instruction, notice, observation, proposal, request, test or similar act by the Engineer (including absence of disapproval) shall not relieve the Contractor from any responsibility he has under the Contract, including responsibility for errors, omissions, discrepancies and non-compliances.

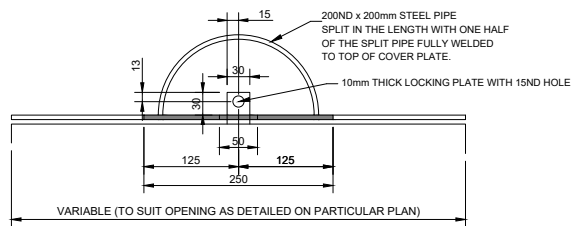
DESIGNED BY H.T.		<p>VHEMBE DISTRICT MUNICIPALITY</p> <p>PRIVATE BAG X5006 THOHOYANDOU 0950</p> <p>TEL. (015) 960 2000 FAX. (015) 962 1017</p>	<p>MORULA CONSULTING ENGINEERS</p> <p>P. o. Box 2740 POLOKWANE 0700</p> <p>CONSULTING ENGINEERS & PROJECT MANAGERS "a new dawn"</p> <p>TEL. (015) 296-4460 FAX. (015) 296-4103</p>	VHEMBE DISTRICT MUNICIPALITY		PROJECT STATUS: TENDER		(Full signature)		SHEET 1 OF 1
CHECKED BY H.T.				WATER SUPPLY-BULK AND RETICULATION UPGRADING OF NGWENANI THEMELI, NGULUMBI, NGOVHELA, MADAMALALA, PHINDULA, MAEMBANI AND MULEDZHI		DATE		DATE		SCALE
DRAWN BY T.M.				DATE		DATE		DATE		AS SHOWN
CHECKED BY H.T.				DATE		DATE		DATE		REVISION
No.	DATE	REVISION	CONSULT	DIR	TYPE 3 SCOUR VALVE CHAMBER DETAILS		DRAWING NUMBER MC/VDM/BRU/SD06		REVISION 0	



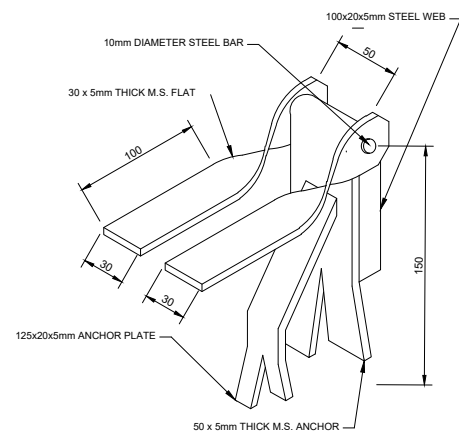
ACCESS LADDER TYPE 1
SCALE 1:10



ACCESS LADDER TYPE 2
SCALE 1:10

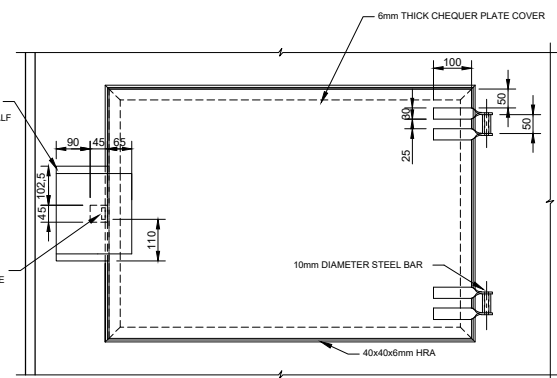


VIEW C
SCALE 1:5

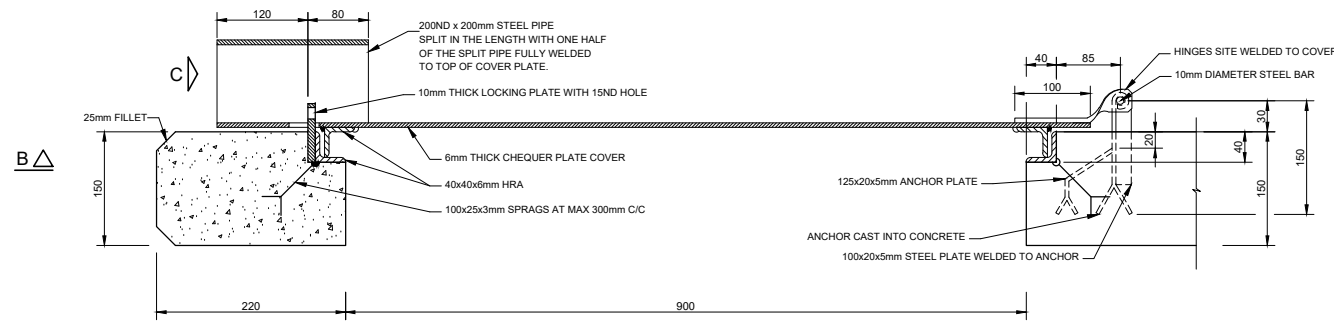


HINGE DETAIL
N.T.S.

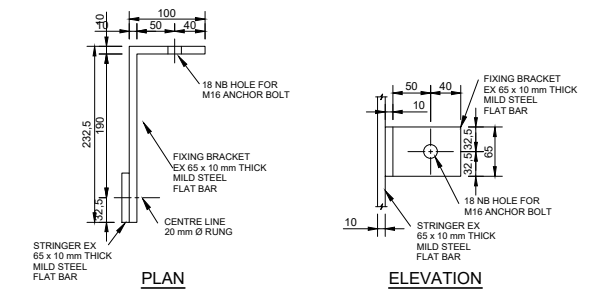
GENERAL NOTE:-
i) LADDER, MANHOLE COVER AND FRAME AND VENTILATORS TO BE OF FULLY WELDED CONSTRUCTION.
ii) AFTER FABRICATION, ALL COMPONENTS OF THE LADDER, MANHOLE COVER AND FRAME AND VENTILATORS ARE TO BE HOT DIP GALVANISED TO PROVIDE A MINIMUM THICKNESS OF 105 MICRON, IN ACCORDANCE WITH SANS ISO 1461:1999 AND SANS ISO 14713:1999.



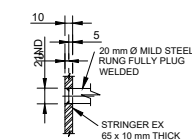
PLAN
SCALE 1:10



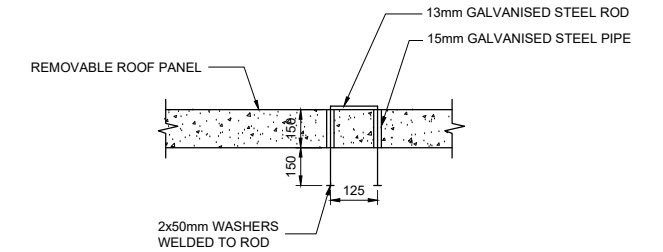
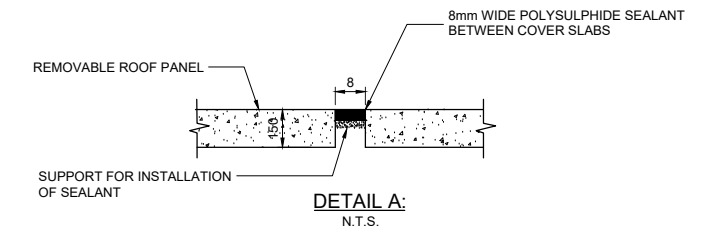
TYPICAL SECTION B - B
1:5



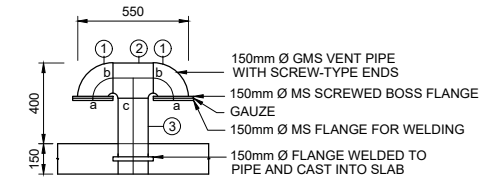
DETAIL 'A'
SCALE 1:5



DETAIL 'B'
SCALE 1:5



DETAIL B: LIFTING HANDLE DETAIL
N.T.S.



ITEM No.	SHAPE	Ø (mm)	AMF-CODE	FLANGES	THREADED
1	ELBOW 90°M	150	-	a	b
2	TEE	150	0276	-	b,c
3	GMS PIPE	150	-	-	c

DETAIL C: AIR BREATHER DETAIL - 150mm Ø GMS VENT PIPE
N.T.S.

NOTES:
VALVE CHAMBER:
1. SIDES OF CHAMBER WHERE PIPE ENTERS AND LEAVES CHAMBER SHALL BE BACKFILLED WITH SOILCRETE AS DIRECTED BY THE ENGINEER.
2. GROUND LEVEL TO BE FINISHED TO SUIT HEIGHT OF CHAMBER RELATIVE TO PIPEWORK.
ROOF NOTES:
3. LIFTING HANDLES TO BE PLACED A MIN DISTANCE OF 150mm FROM EACH CORNER IN BOTH DIRECTIONS.

No.	DATE	REVISION	CONSULT	DIR

DESIGNED BY	H.T.
CHECKED BY	H.T.
DRAWN BY	T.M.
CHECKED BY	H.T.

VHEMBE DISTRICT MUNICIPALITY

PRIVATE BAG X5006
THOHOYANDOU
0950
TEL. (015) 960 2000
FAX. (015) 962 1017

MORULA CONSULTING ENGINEERS

P. o. Box 2740
POLOKWANE
0700
CONSULTING ENGINEERS & PROJECT MANAGERS
"a new dawn"
TEL. (015) 296-4460
FAX. (015) 296-4103

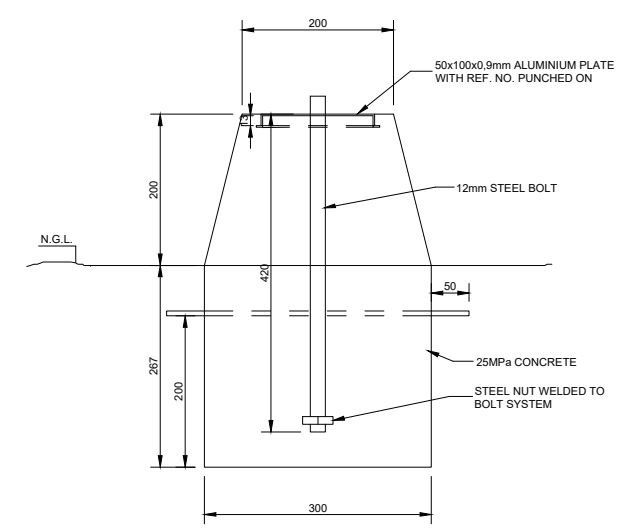
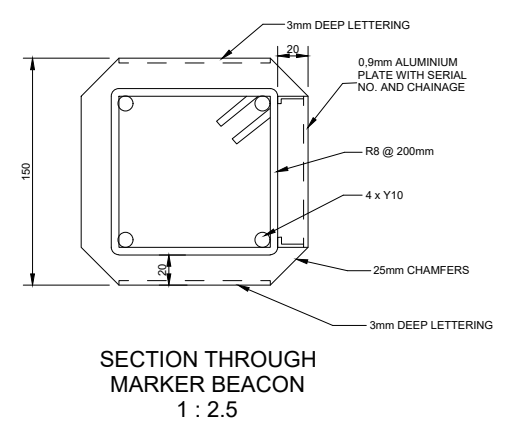
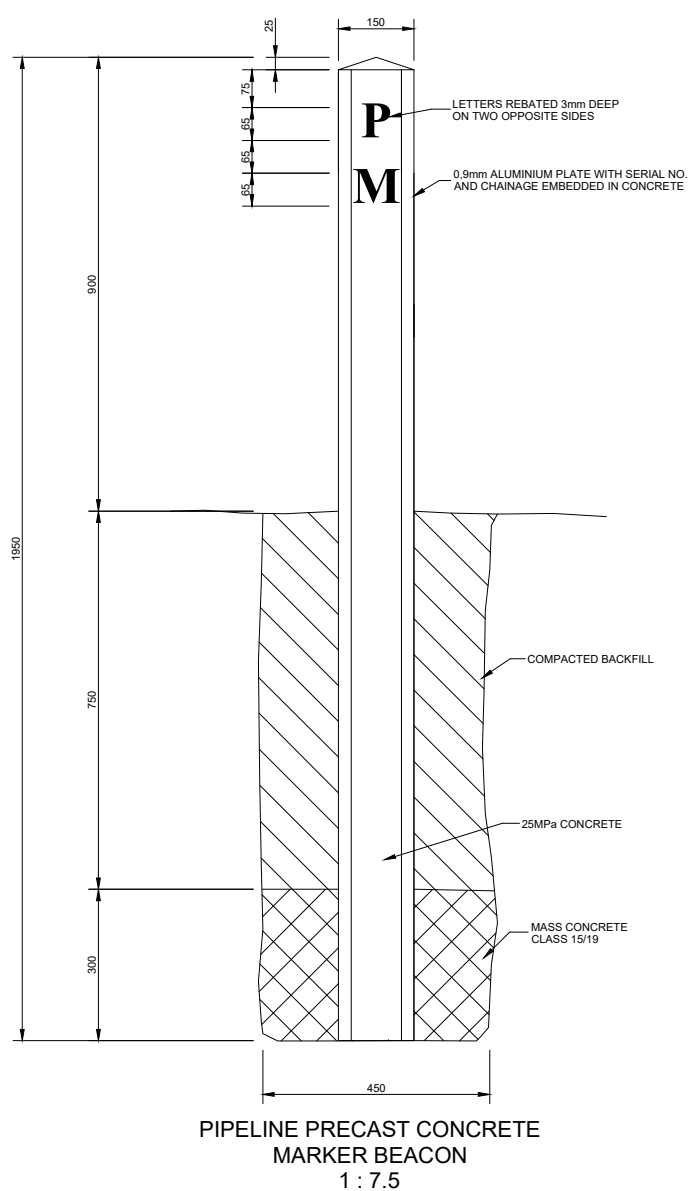
VDM	DATE
CONSULTING ENGINEER	DATE

VHEMBE DISTRICT MUNICIPALITY PROJECT STATUS: TENDER

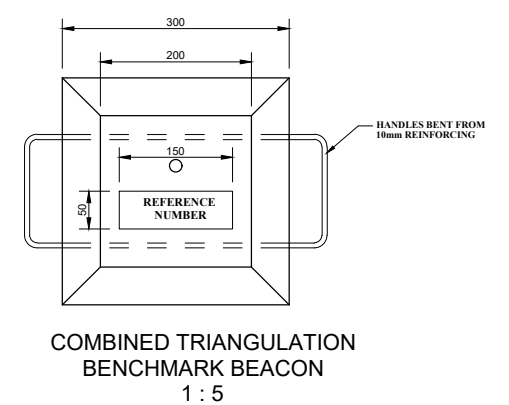
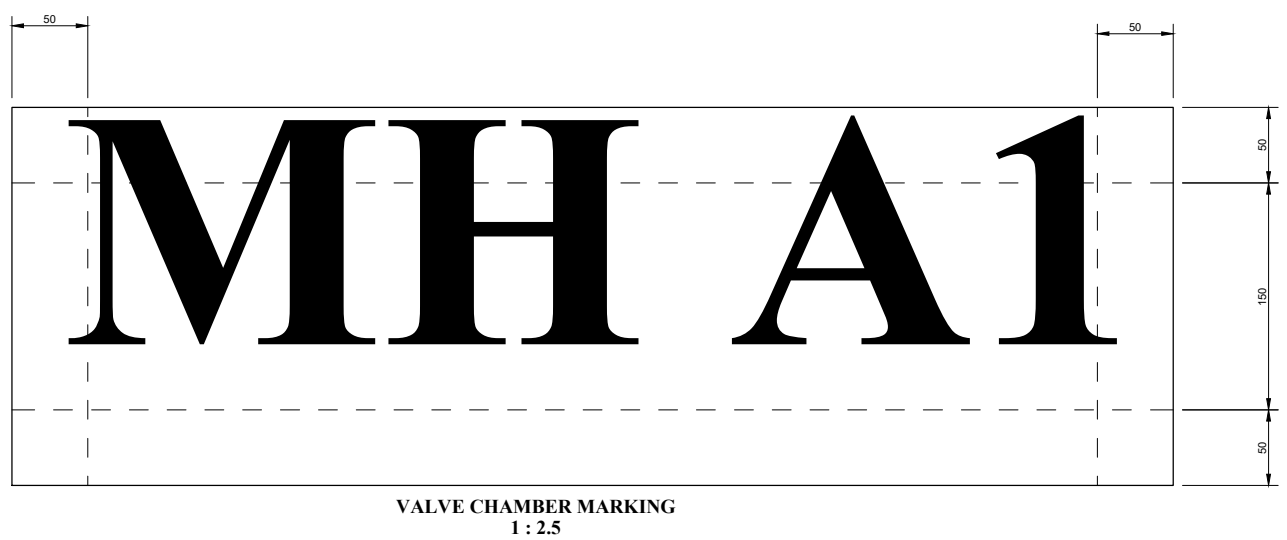
WATER SUPPLY-BULK AND RETICULATION UPGRADING OF NGWENANI THEMELI, NGULUMBI, NGOVHELA, MADAMALALA, PHINDULA, MAEMBANI AND MULEDZHI

TYPICAL ACCESS LADDER, AIR BREATHER AND HINGE DETAILS

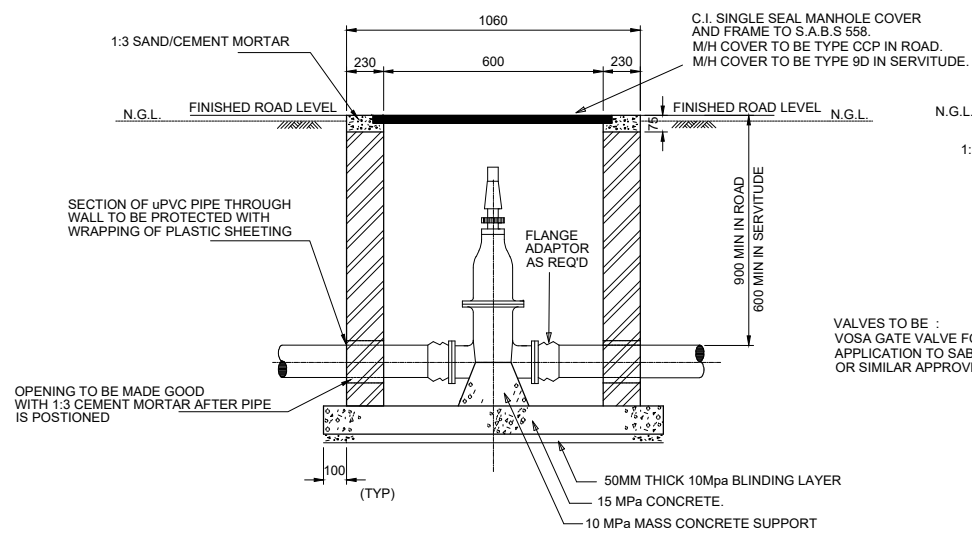
(Full signature)	SHEET 1 OF 1
SCALE AS SHOWN	REVISION
DRAWING NUMBER MC/VDM/BRU/SD07	①



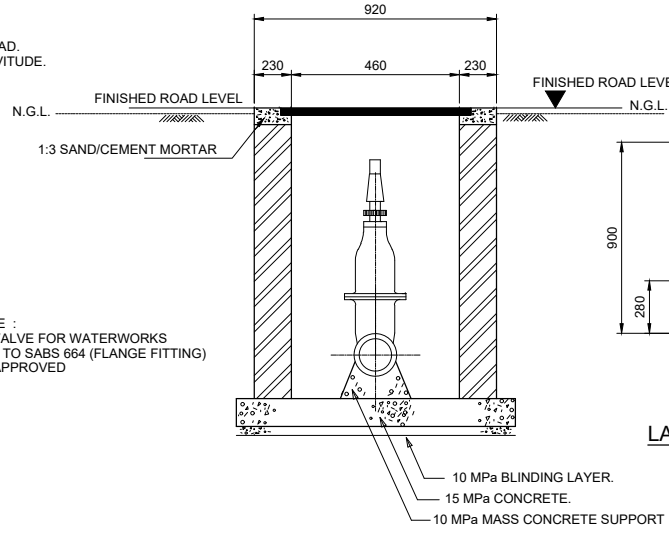
NOTE:
 1. VALVE CHAMBERS SHALL BE MARKED WITH LETTERING AS SHOWN.
 2. LETTERING SHALL BE WRITTEN ON A BLACK BACKGROUND WITH THE LETTERING WIDTH 30mm.
 3. REMOVE ALL TRACES OF SHUTTER OIL BEFORE PAINTING OF NUMBERS.
 4. PAINT TO BE USED - PLASCON WALL AND ALL OR SIMILAR APPROVED.



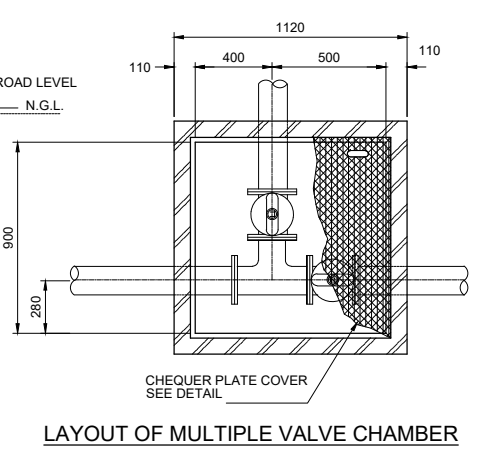
		DESIGNED BY	H.T.	VHEMBE DISTRICT MUNICIPALITY		MORULA CONSULTING ENGINEERS		VHEMBE DISTRICT MUNICIPALITY		PROJECT STATUS: TENDER	(Full signature)	SHEET 1 OF 1
		CHECKED BY	H.T.	PRIVATE BAG X5006 THOHOYANDOU 0950 TEL. (015) 960 2000 FAX. (015) 962 1017		CONSULTING ENGINEERS & PROJECT MANAGERS "a new dawn" P. o. Box 2740 POLOKWANE 0700 TEL. (015) 296-4460 FAX. (015) 296-4103		WATER SUPPLY-BULK AND RETICULATION UPGRADING OF		NGWENANI THEMELI, NGULUMBI, NGOVHELA, MADAMALALA, PHINDULA, MAEMBANI AND MULEDZHI	For Consulting Engineer: 20/1/18	SCALE
		DRAWN BY	T.M.					TYPICAL DETAILS FOR PIPELINE MARKERS AND BENCHMARKS				DRAWING NUMBER
		CHECKED BY	H.T.							MC/VDM/BRU/SD08	①	
No	DATE	REVISION	CONSULT	DIR			CONSULTING ENGINEER	DATE				



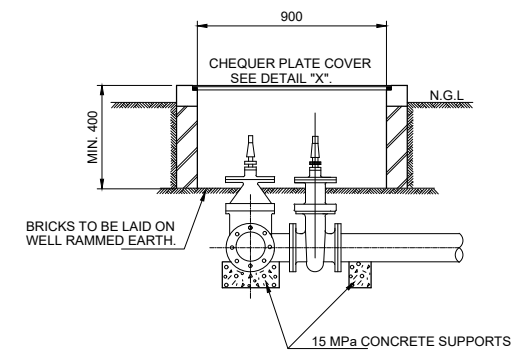
SECTION A



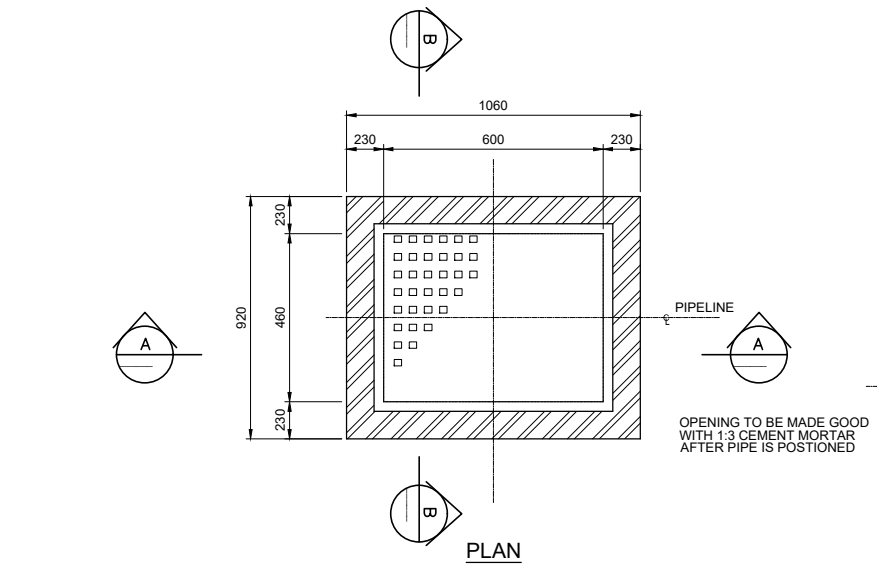
SECTION B



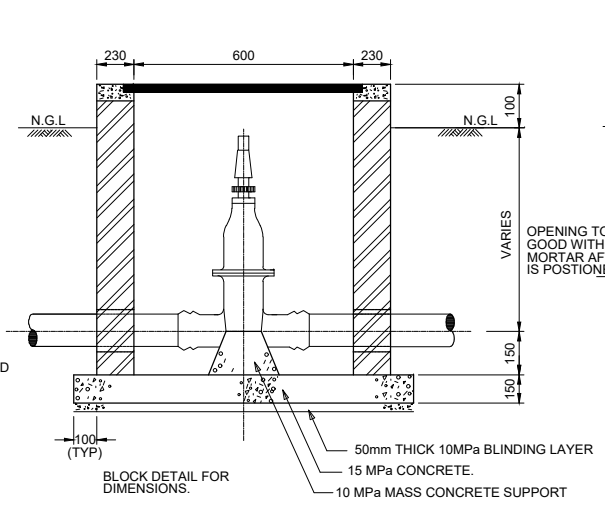
LAYOUT OF MULTIPLE VALVE CHAMBER



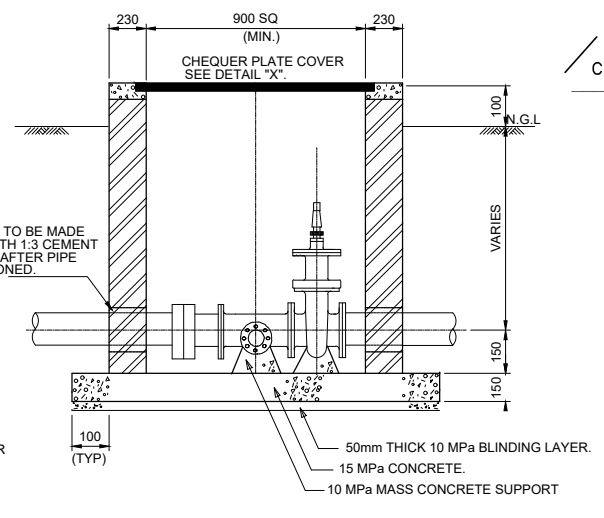
SECTION THRU' MULTIPLE VALVE CHAMBER



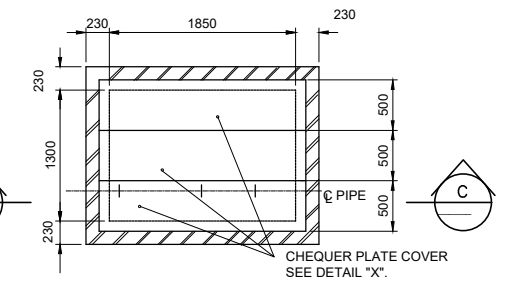
PLAN



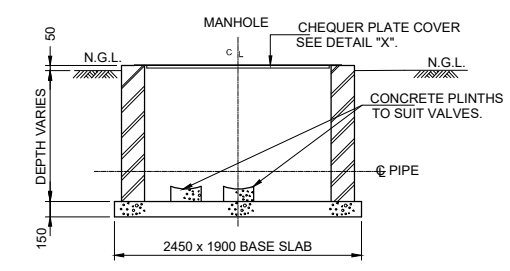
ALTERNATIVE SECTION A



TYPICAL SECTION THRU' SCOUR VALVE CHAMBER

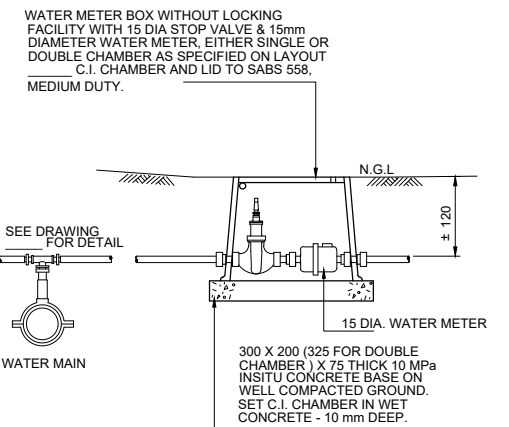


'MULTI VALVE' MANHOLE DETAIL

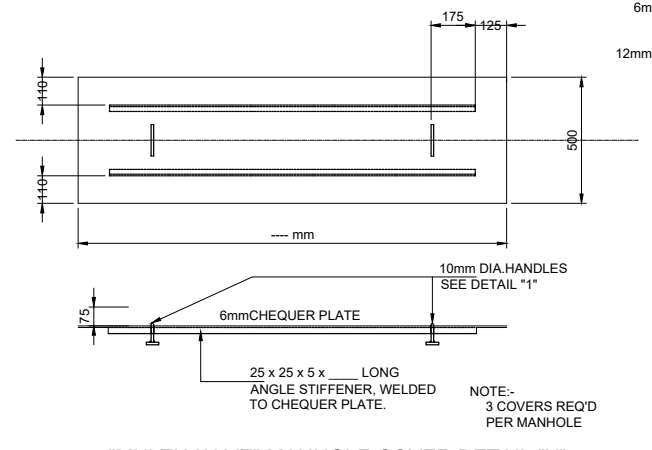


SECTION C

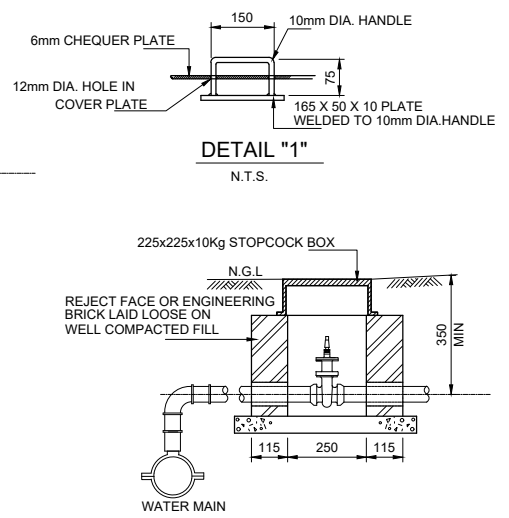
DETAIL OF VALVE CHAMBER FOR VALVES 50 DIA. IN ROADS AND VALVES 150 DIA. ELSEWHERE.



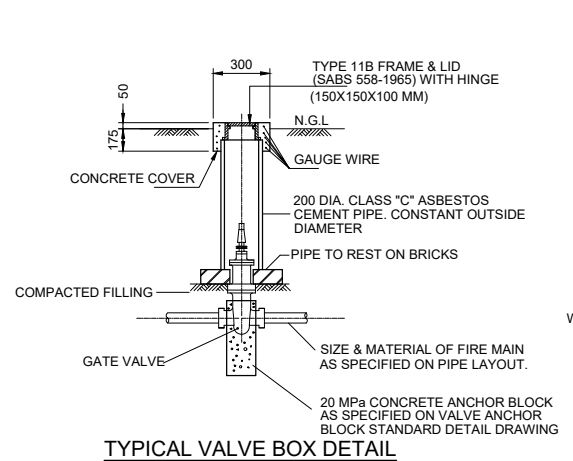
TYPICAL DETAIL OF WATER METER CHAMBER



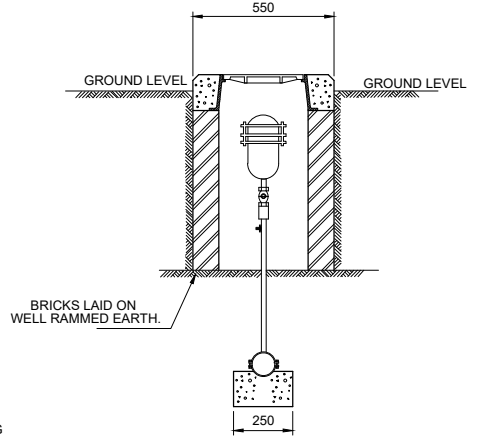
'MULTI VALVE' MANHOLE COVER DETAIL "X".



STOPCOCK BOX DETAIL



TYPICAL VALVE BOX DETAIL



AIR RELEASE VALVE DETAIL

No	DATE	REVISION	CONSULT	DIR

DESIGNED BY	H.T.
CHECKED BY	H.T.
DRAWN BY	T.M.
CHECKED BY	H.T.

VHEMBE DISTRICT MUNICIPALITY



PRIVATE BAG X5006
THOHOYANDOU
0950
TEL. (015) 960 2000
FAX. (015) 962 1017

MORULA CONSULTING ENGINEERS



P. o. Box 2740
POLOKWANE
0700
CONSULTING ENGINEERS & PROJECT MANAGERS
"a new dawn"
TEL. (015) 296-4460
FAX. (015) 296-4103

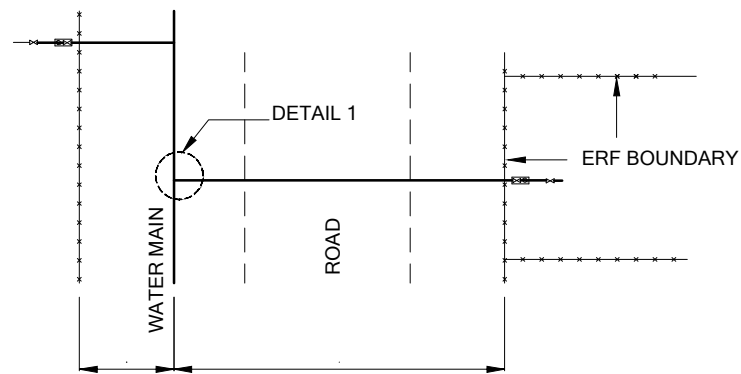
VDM	DATE
CONSULTING ENGINEER	DATE

VHEMBE DISTRICT MUNICIPALITY PROJECT STATUS: TENDER

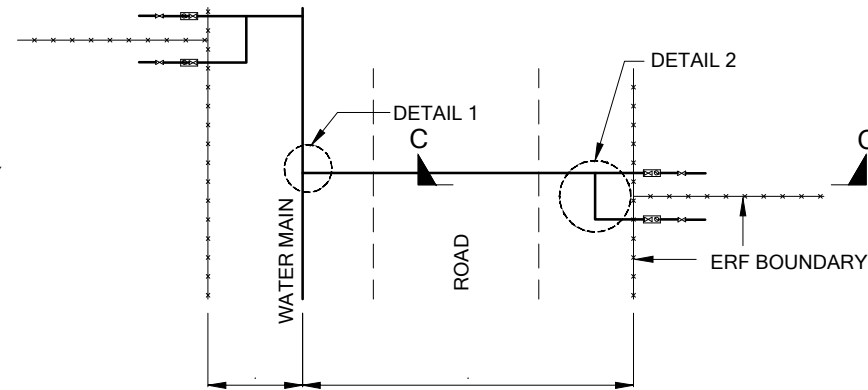
WATER SUPPLY-BULK AND RETICULATION UPGRADING OF NGWENANI THEMELI, NGULUMBI, NGOVHELA, MADAMALALA, PHINDULA, MAEMBANI AND MULEDZHI

VALVE CHAMBER DETAILS

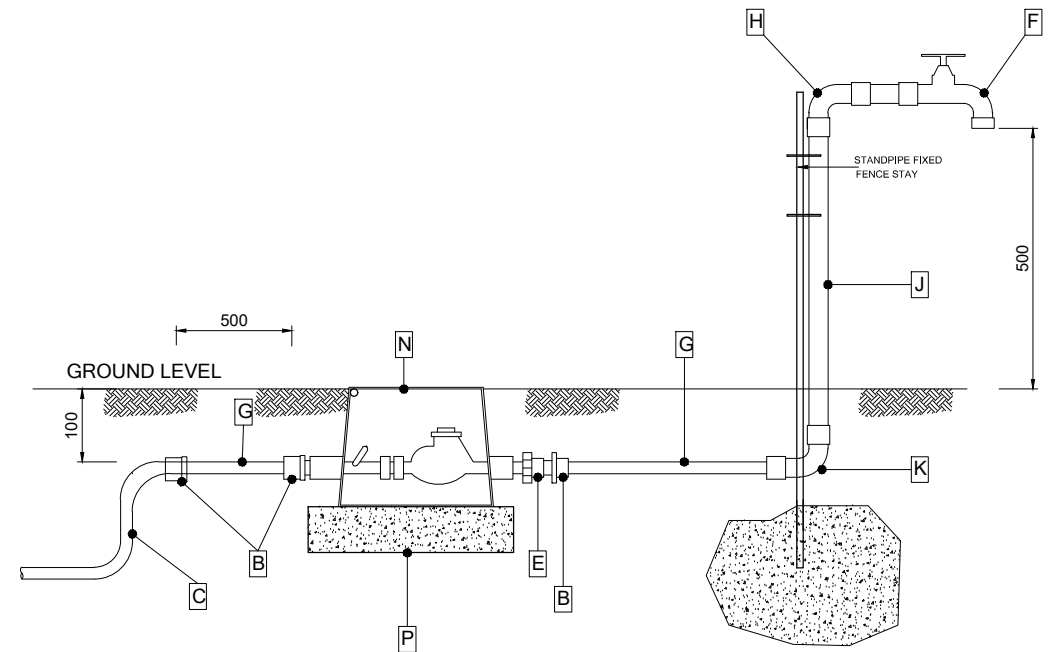
(Full signature)	SHEET 1 OF 1
SCALE	N.T.S.
DRAWING NUMBER	REVISION
MC/VDM/BRU/SD09	0



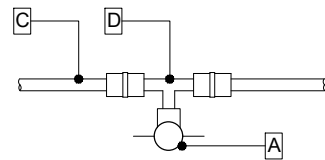
PLAN OF SINGLE ERF CONNECTION



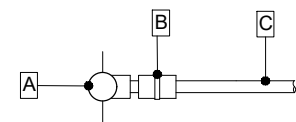
PLAN OF DOUBLE ERF CONNECTION



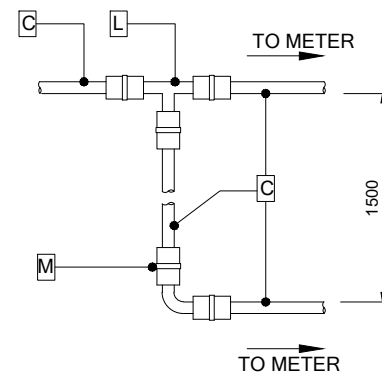
SECTION A - A



SECTION: BRANCH TO BOTH SIDES



SECTION: BRANCH TO ONE SIDE
DETAIL "1"



PLAN
DETAIL "2"

SCHEDULE OF FITTINGS

ITEM	DESCRIPTION
A	SADDLE TO SUIT MAIN SUPPLY PIPE WITH A 20mm OUTLET
B	20mm ND MALE COMPRESSION FITTING.
C	20mm ND YYPE IV - SABS 533 CLASS 10 HDPE PIPE.
D	20mm ND TEE WITH MALE BSP COMPRESSION FITTING.
E	20mm ND DOLE VALVE - 23 litres/min.
F	20mm ND ROUGH BRASS PLAIN BIBTAP TO SABS 226 CLASS 1.
G	20mm ND GMS PIPE THREADED BOTH ENDS - LENGTH = 500.
H	20mm ND GMS F/F ELBOW.
J	20mm ND GMS PIPE THREADED BOTH ENDS - LENGTH = 800.
K	20mm 90° ND BENDINSERT
L	20mm ND EQUAL TEE COMPRESSION FITTING.
M	20mm ND 90° ELBOW COMPRESSION FITTING.
N	CASTLE METERS "METERBOX" WB1.04222 COMPLETE WITH 20mm EISTER KENT M100 OPTIMA WATER METER, 20mm NB STOP VALVE, 20mm NB EXPANSION COUPLING AND END CONNECTIONS 20mm FEMALE BSP. METERBOX TO HAVE BASE PLATE AND TO BE GROUTED ONTO P.
P	450x450x100mm CONCRETE SLAB TO MOUNT METER BOX.

No	DATE	REVISION	CONSULT	DIR	CHECKED BY	H.T.

VHEMBE DISTRICT MUNICIPALITY

PRIVATE BAG X5006
THOHOYANDOU
0950
TEL. (015) 960 2000
FAX. (015) 962 1017

MORULA CONSULTING ENGINEERS

P. o. Box 2740
POLOKWANE
0700
CONSULTING ENGINEERS
& PROJECT MANAGERS
"a new dawn"
TEL. (015) 296-4460
FAX. (015) 296-4103

VHEMBE DISTRICT MUNICIPALITY PROJECT STATUS: TENDER

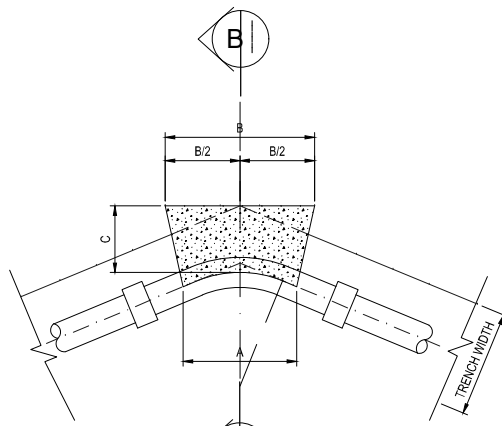
WATER SUPPLY-BULK AND RETICULATION UPGRADING OF
NGWENANI THEMELI, NGULUMBI, NGOVHELA, MADAMALALA,
PHINDULA, MAEMBANI AND MULEDZHI

TYPICAL HOUSE CONNECTION

(Full signature)	SHEET 1 OF 1
	SCALE
	N.T.S.
DRAWING NUMBER	REVISION
MC/VDM/BRU/SD10	0

DIMENSIONS FOR PIPE BENDS

PIPE DIA.	DEFLECTION ANGLE	OPERATING PRESSURE			
		0.4 - 0.9 MPa			
		A	B	C	D
50	11.25°	75	200	400	200
	22.5°	75	200	400	200
	45°	75	200	400	200
	90°	75	250	600	200
63	11.25°	95	250	400	250
	22.5°	95	200	400	250
	45°	95	250	420	250
	90°	95	250	600	250
75	11.25°	115	200	400	300
	22.5°	115	200	400	300
	45°	115	200	450	300
	90°	115	350	650	300
90	11.25°	135	200	400	300
	22.5°	135	200	400	300
	45°	135	300	450	300
	90°	135	400	680	300
110	11.25°	165	200	450	350
	22.5°	165	200	450	350
	45°	165	300	475	350
	90°	165	500	740	350
125	11.25°	190	200	450	350
	22.5°	190	200	450	350
	45°	190	350	500	350
	90°	190	700	800	350
140	11.25°	210	250	475	350
	22.5°	210	250	475	350
	45°	210	400	550	350
	90°	210	800	830	350
160	11.25°	240	300	475	400
	22.5°	240	300	475	400
	45°	240	400	550	400
	90°	240	1000	900	400
200	11.25°	300	300	520	400
	22.5°	300	300	520	400
	45°	300	600	600	400
	90°	300	1200	1000	500
400	11.25°	550	550	750	600
	22.5°	550	550	750	600
	45°	550	1500	900	600
	90°	550	3000	1500	800



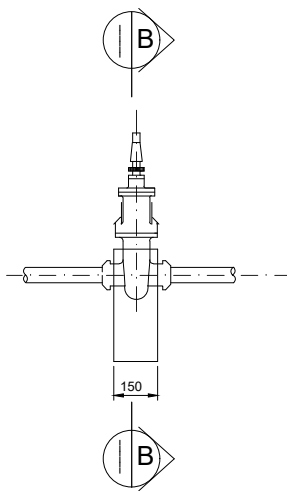
PLAN

SECTION B-B

THRUST BLOCK DETAILS AT BENDS

DIMENSIONS FOR VALVES

PIPE DIA.	OPERATING PRESSURE	
	0.4-0.9 MPa	
	E	F
50	950	125
63	1000	130
75	1000	140
90	1000	150
110	1050	190
125	1050	240
140	1050	280
160	1100	350
200	1100	490
250	1150	700



ELEVATION

SECTION B-B

ANCHOR BLOCK DETAILS FOR VALVES

N.T.S.

DIMENSIONS FOR TEES AND END CAPS

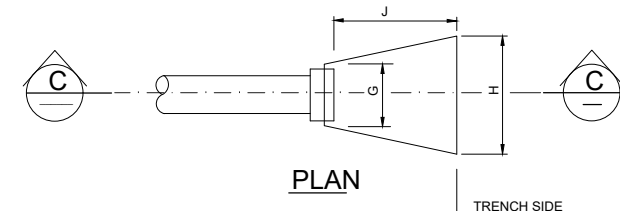
PIPE DIA.	OPERATING PRESSURE			
	0.4 - 0.9 MPa			
	G	H	J	K
50	75	200	350	250
63	100	200	350	300
75	115	200	350	300
90	135	300	350	300
110	170	370	400	350
125	190	470	400	350
140	210	600	400	350
160	240	700	400	400
200	300	1050	400	400
250	380	1500	450	450
300	450	1900	450	500
350	530	2400	475	550

DIMENSIONS FOR TEES AND END CAPS

PIPE DIA.	OPERATING PRESSURE			
	1.6 MPa			
	G	H	J	K
400	600	2400	500	1200

NOTES:

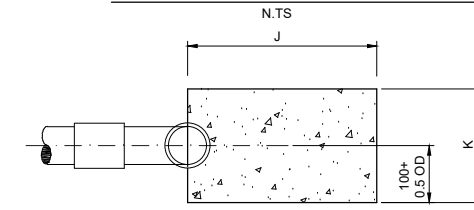
1. CONCRETE IN THRUST BLOCKS IS 10/19
2. THIS TABLE IS VALID FOR 100 kPa EARTH BEARING PRESSURE
3. HALF OF THE DEPTH OF THE BLOCK SHALL BE BELOW THE PIPE AXIS
4. KEEP COUPLINGS AND FLANGES 25mm CLEAR OF CONCRETE



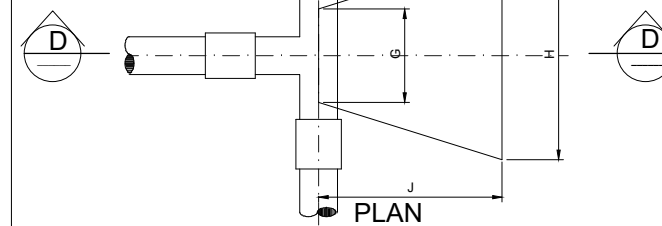
PLAN

SECTION C-C

THRUST BLOCKS AT END CAPS



SECTION D-D

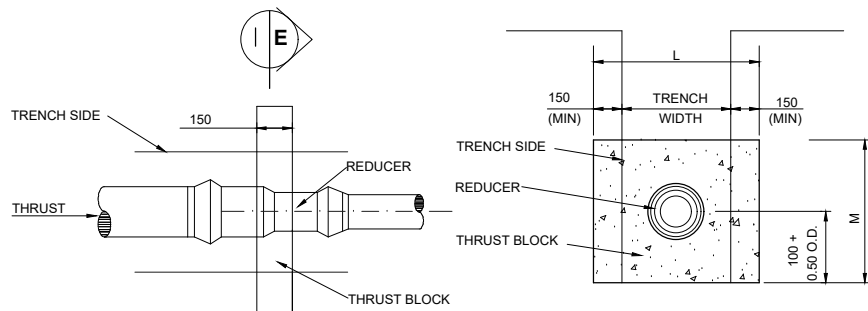


PLAN

THRUST BLOCK DETAILS AT TEE JUNCTIONS

N.T.S.

PIPE DIA.	DEFLECTION ANGLE	OPERATING PRESSURE			
		1.6 MPa			
		A	B	C	D
400	11.25°	550	550	750	600
	22.5°	550	800	750	600
	45°	550	2000	900	800
	90°	550	3300	1500	1300

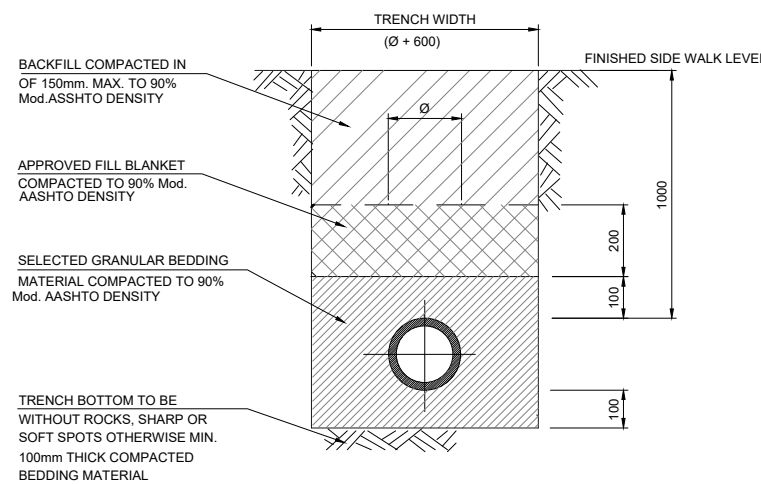


PLAN

SECTION E-E

THRUST BLOCK DETAILS FOR REDUCERS

N.T.S.



TYPICAL DETAIL : BEDDING FOR FLEXIBLE PIPES.

SCALE: N.T.S.

No	DATE	REVISION	CONSULT	DIR

DESIGNED BY	H.T.
CHECKED BY	H.T.
DRAWN BY	T.M.
CHECKED BY	H.T.

VHEMBE DISTRICT MUNICIPALITY

PRIVATE BAG X5006
THOHOYANDOU
0950
TEL. (015) 960 2000
FAX. (015) 962 1017

MORULA CONSULTING ENGINEERS

P. o. Box 2740
POLOKWANE
0700
CONSULTING ENGINEERS & PROJECT MANAGERS
"a new dawn"
TEL. (015) 296-4460
FAX. (015) 296-4103

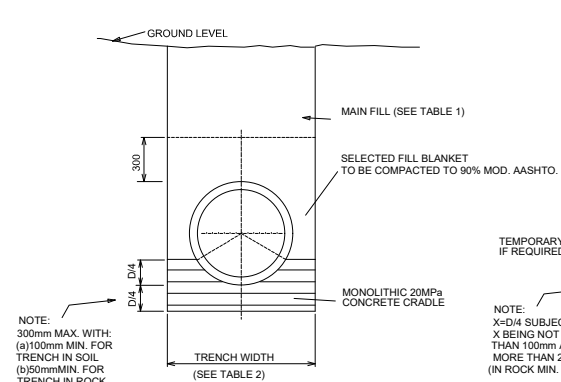
.....	DATE
.....	DATE

VHEMBE DISTRICT MUNICIPALITY PROJECT STATUS: TENDER

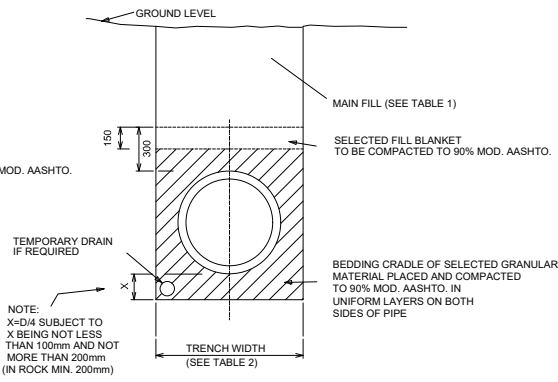
WATER SUPPLY-BULK AND RETICULATION UPGRADING OF NGWENANI THEMELI, NGULUMBI, NGOVHELA, MADAMALALA, PHINDULA, MAEMBANI AND MULEDZHI

THRUST BLOCK DETAILS

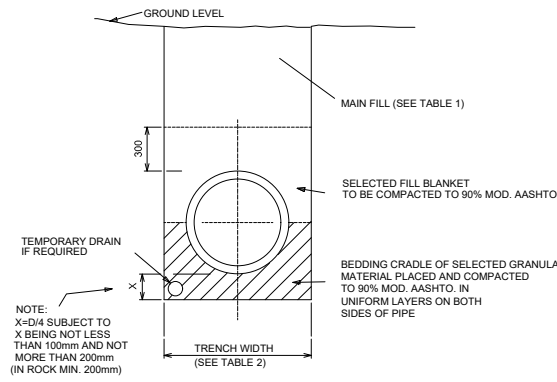
(Full signature)	SHEET 1 OF 1
.....	SCALE
.....	N.T.S.
DRAWING NUMBER	REVISION
MC/VDM/BRU/SD11	①



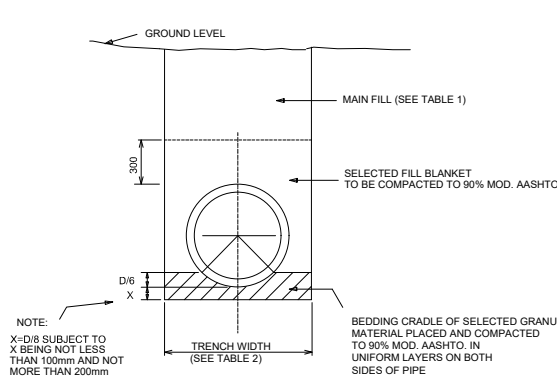
CLASS "A" BEDDING
BEDDING FACTOR = 3.0



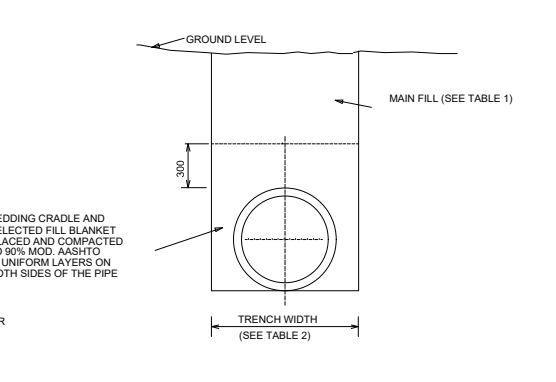
CLASS "B" BEDDING
BEDDING FACTOR = 2.2



CLASS "B" BEDDING
BEDDING FACTOR = 1.9



CLASS "C" BEDDING
BEDDING FACTOR = 1.5

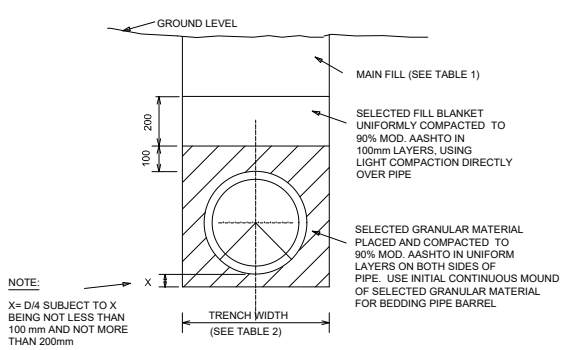


CLASS "D" BEDDING
BEDDING FACTOR = 1.1

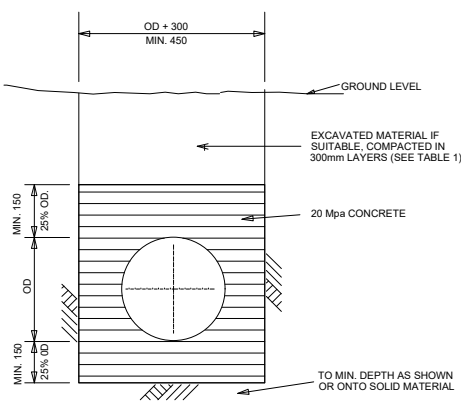
For Bedding Factor = 3.4 use reinforced concrete cradle with a minimum transverse steel area of 0.4% of the concrete area.

NOTE:
SELECTED FILL MATERIAL MUST NOT BE PLACED UNTIL AT LEAST 24 HOURS AFTER PLACING OF CONCRETE.

RIGID PIPE BEDDING

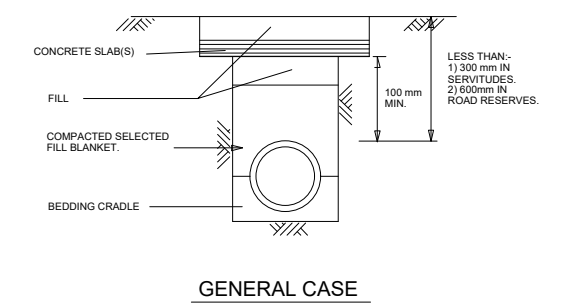


FLEXIBLE PIPE BEDDING

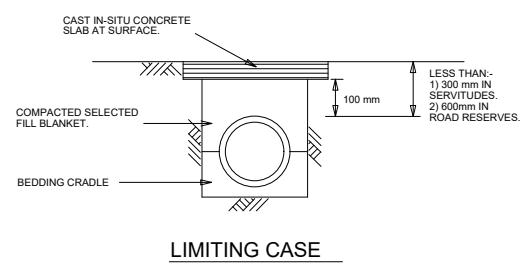


CONCRETE ENCASEMENT

FLEXIBLE PIPE BEDDING

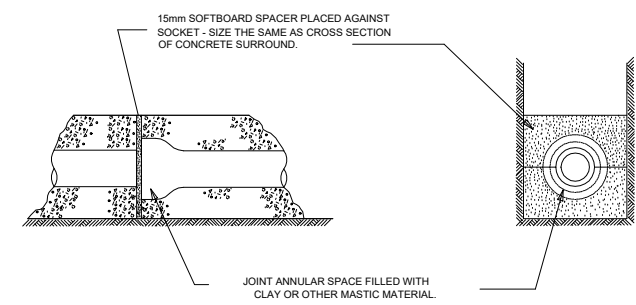


GENERAL CASE

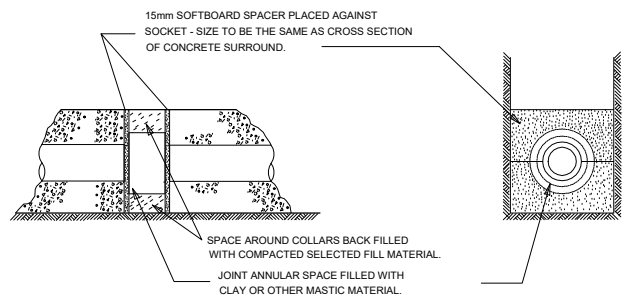


LIMITING CASE

PROTECTION OF PIPES AT REDUCED DEPTHS OF COVER WITH CLASS "B" BEDDING



A - SPIGOT & SOCKET RIGID PIPE WITH FLEXIBLE JOINT.



B - RIGID PIPE WITH FLEXIBLE PLASTIC SLEEVE JOINTS.

CONCRETE ENCASEMENT OF SEWERS (DETAIL TO BE USED TO ENSURE JOINT FLEXIBILITY)

NOMINAL PIPE DIAMETER	OVERALL WIDTH OF TRENCH	
	PIPES WITH SOCKETS OR COLLARS	PLAIN ENDED PIPES
100, 150, 200, 225	600	600
250, 300	900	800
375	1000	900
450	1100	1000
525	1200	1100
600	1300	1100
675	1400	1350
750	1500	1450
825	1600	1550
900	1700	1650
1050	2200	1800
1200	2400	1950
1350	2500	2200
1500	2700	2400
1650	2900	2600
1800	3000	2800
> 1800	AS PER PROJECT SPECIFICATION	

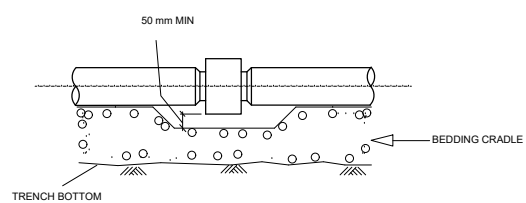
MAXIMUM WIDTH OF PIPE TRENCH

(TABLE 2)

POSITION OF FILL	DEGREE OF COMPACTION REQUIRED (MOD. AASHTO)
MAIN FILL (150 LAYERS)	90%
ROADS - SURFACED	0 - 150: 97%
	150 - 300: 95%
	300 - 450: 93%
- UNSURFACED	0 - 300: 93%
BANK AREAS	0 - 300: 93%
CRUSHER RUN BASE COURSE	98% (OR 88% APPARENT DENSITY)

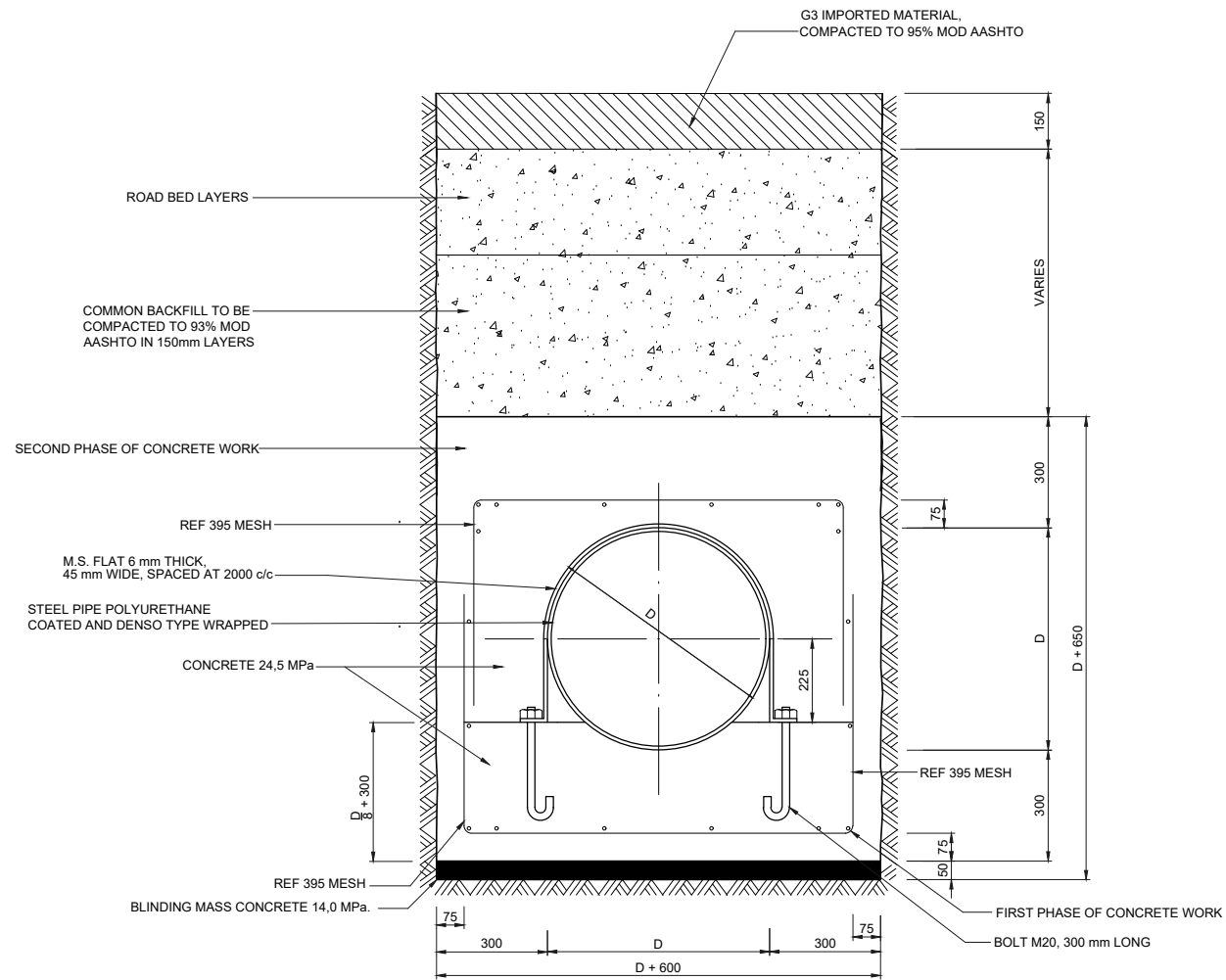
BACKFILL COMPACTION

(TABLE 1)

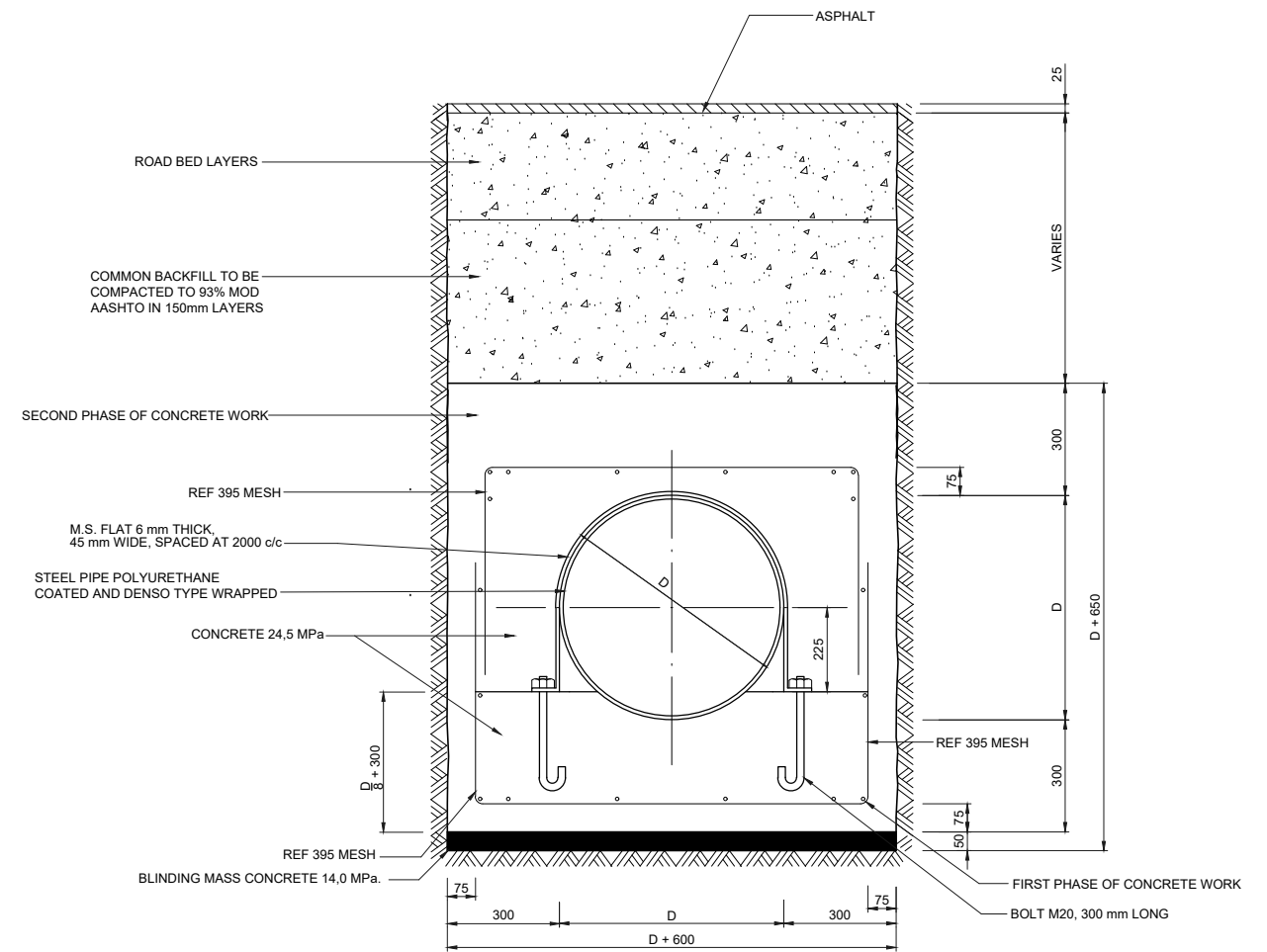


JOINT DETAIL

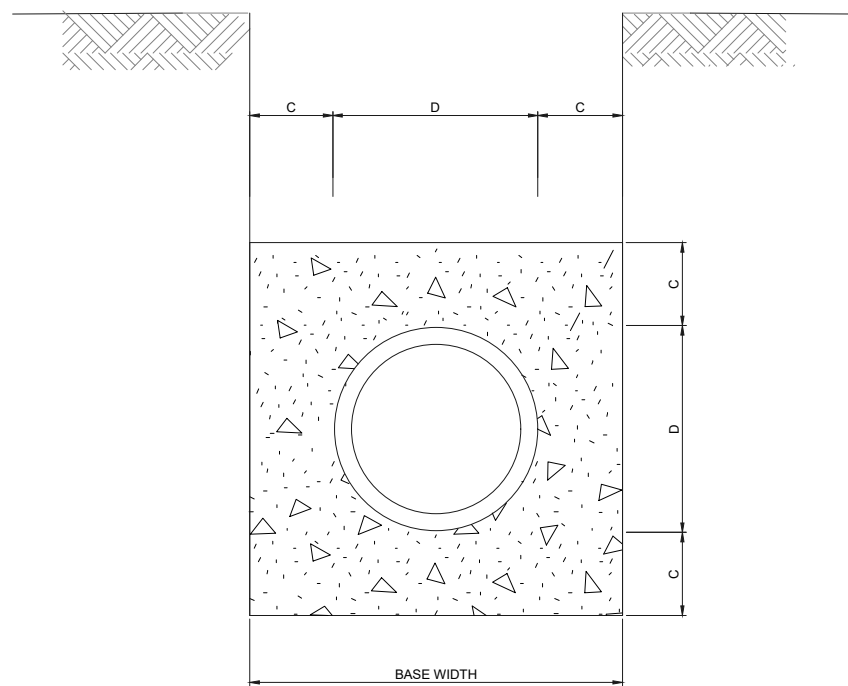
DRAWING NOT TO SCALE



TYPICAL SECTION OF A GRAVEL ROAD CROSSING
SCALE 1:10



TYPICAL SECTION OF A SURFACED ROAD CROSSING
SCALE 1:10



DETAIL OF CONCRETE ENCASUREMENT
SCALE 1:10

PIPE NB (mm)	DIMENSION C (mm)
100	300
150	300
200	300
250	300
300	300
350	300
400	300
450	300
500	300
600	300

NOTE:
 1. PIPE WALL THICKNESS TO BE INCREASED BY 2 mm OVER ENTIRE LENGTH OF CROSSING
 2. THE PIPE COATING SHALL NOT BE REMOVED AND MUST BE AS PER THE STANDARD SPECIFICATION

No	DATE	REVISION	CONSULT	DIR

DESIGNED BY	H.T.
CHECKED BY	H.T.
DRAWN BY	T.M.
CHECKED BY	H.T.

VHEMBE DISTRICT MUNICIPALITY



PRIVATE BAG X5006
THOHOYANDOU
0950
TEL. (015) 960 2000
FAX. (015) 962 1017

MORULA CONSULTING ENGINEERS

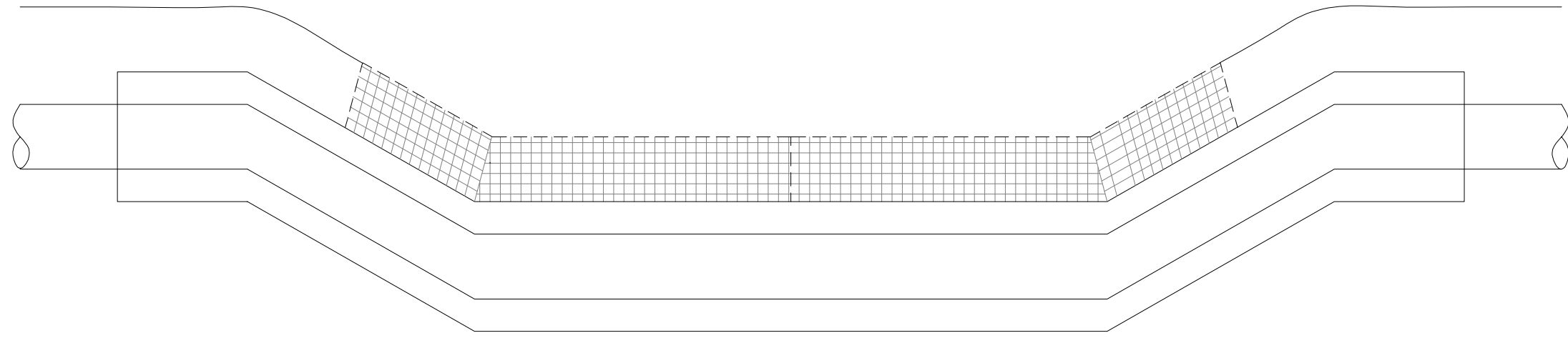


P. o. Box 2740
POLOKWANE
0700
CONSULTING ENGINEERS & PROJECT MANAGERS
"a new dawn"
TEL. (015) 296-4460
FAX. (015) 296-4103

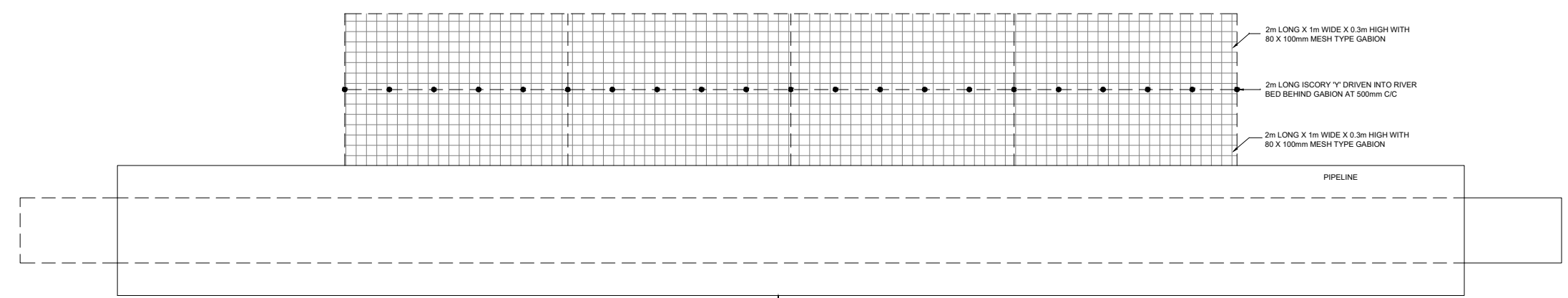
VHEMBE DISTRICT MUNICIPALITY PROJECT STATUS: TENDER
WATER SUPPLY-BULK AND RETICULATION UPGRADING OF NGWENANI THEMELI, NGULUMBI, NGOVHELA, MADAMALALA, PHINDULA, MAEMBANI AND MULEDZHI

TYPICAL DETAILS FOR SECTION OF ROAD CROSSING

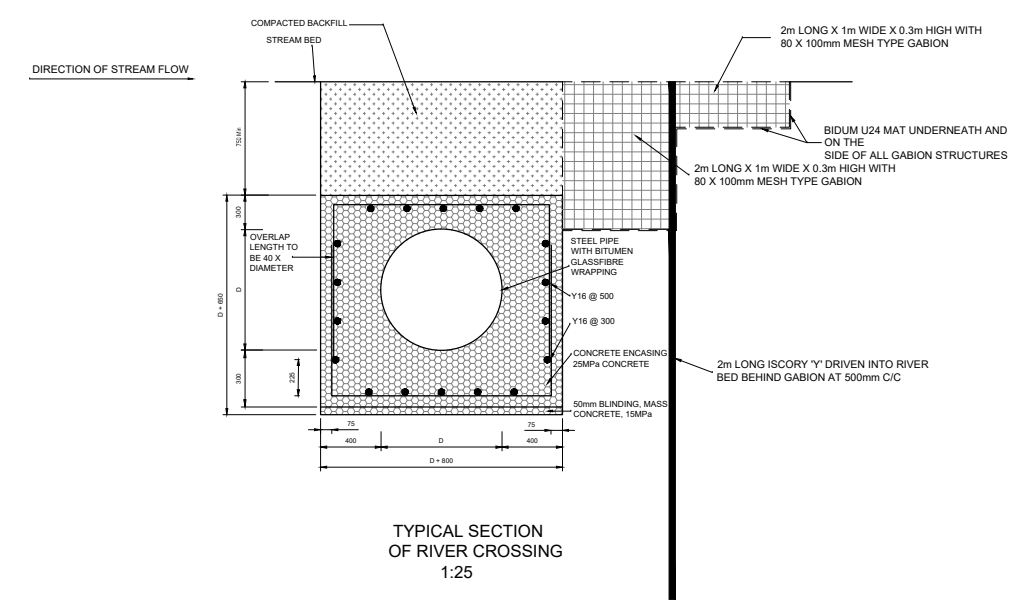
(Full signature)	SHEET 1 OF 1
	SCALE AS SHOWN
DRAWING NUMBER	REVISION
MC/VDM/BRU/SD14	0



TYPICAL SECTION THROUGH RIVER
1:25



PLAN
1:25



TYPICAL SECTION
OF RIVER CROSSING
1:25

No	DATE	REVISION	CONSULT	DIR


DESIGNED BY	H.T.
CHECKED BY	H.T.
DRAWN BY	T.M.
CHECKED BY	H.T.

VHEMBE DISTRICT MUNICIPALITY



PRIVATE BAG X5006
THOHOYANDOU
0950
TEL. (015) 960 2000
FAX. (015) 962 1017

MORULA CONSULTING ENGINEERS



P.o.Box 2740
POLOKWANE
0700
CONSULTING ENGINEERS & PROJECT MANAGERS
"a new dawn"
TEL. (015) 296-4460
FAX. (015) 296-4103

VDM	DATE
CONSULTING ENGINEER	DATE

VHEMBE DISTRICT MUNICIPALITY PROJECT STATUS: TENDER

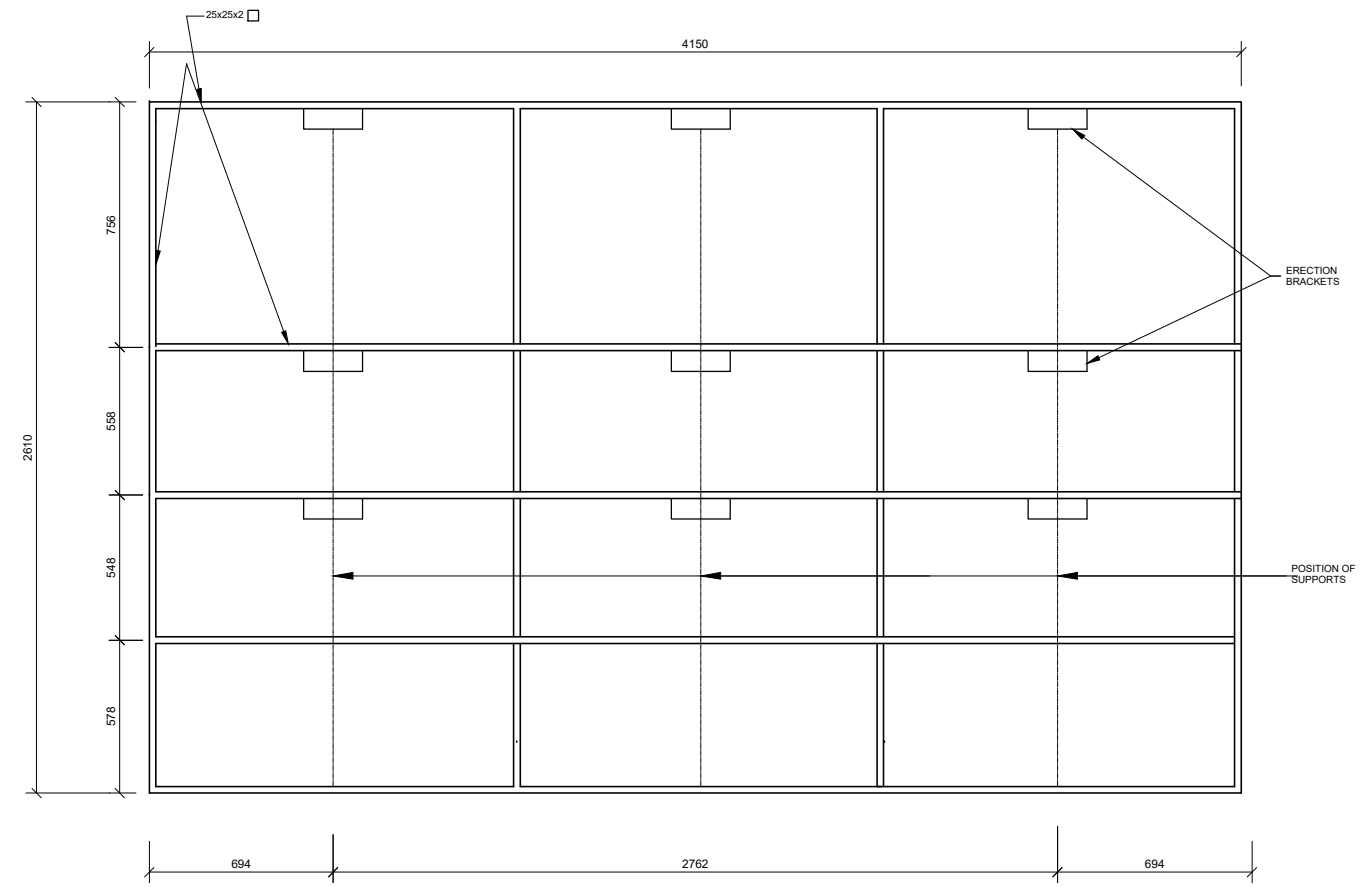
WATER SUPPLY-BULK AND RETICULATION UPGRADING OF NGWENANI THEMELI, NGULUMBI, NGOVHELA, MADAMALALA, PHINDULA, MAEMBANI AND MULEDZHI

TYPICAL RIVER CROSSING DETAIL

(Full signature)	SHEET 1 OF 1
VDM 20 / /	SCALE
For Consulting Engineer 20 / /	1:25
DRAWING NUMBER	REVISION
MC/VDM/BRU/SD15	0



FRONT ELEVATION
SCALE 1:15

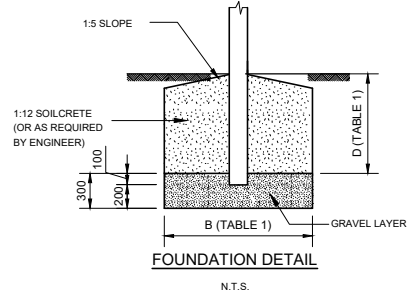


SIGN BOARD DETAIL

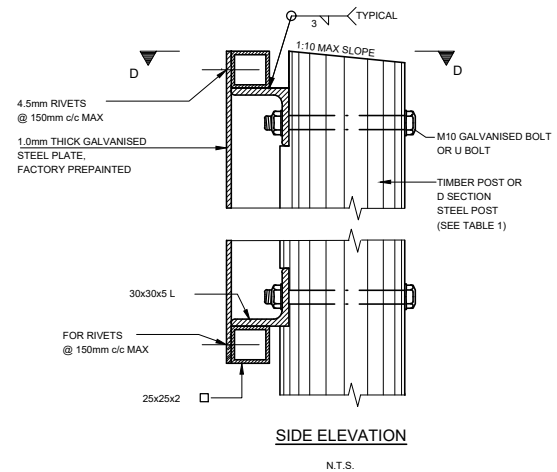
REAR SIDE BRACING
SCALE 1:15

TABLE 1 ERECTION DETAILS				
TYPE POST	UPRIGHT	STAY	D	B
TIMBER POST AND STAY	80mm	80mm	600mm	750mm
TIMBER POST	160mm	-	900mm	1350mm
D SECTION STEEL POST	100mm x 4mm	-	900mm	1350mm

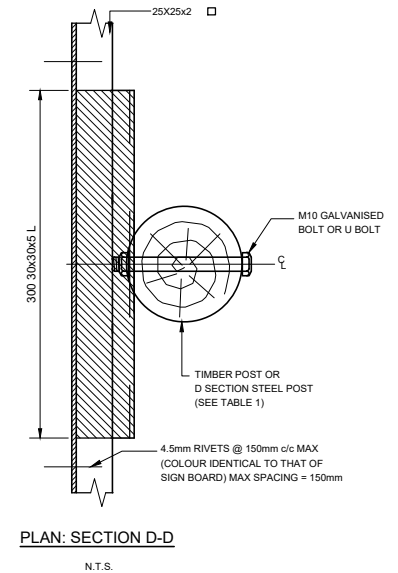
- NOTE:**
- ALL EMBLEMS TO BE DISPLAYED IN FULL COLOUR ON A SEMI-MATT BACKGROUND.
 - DESCRIPTION: MATT-BLACK, SERIES DIN B LETTERS AND NUMBERS ON A SEMI-MATT SMOKE-GREY BACKGROUND (PANTONE 429U).
 - BORDER : GREEN NON-REFLECTORIZED.
 - TWO SIGN BOARDS SHALL BE ERECTED AS DETERMINED BY THE ENGINEER.
 - DESCRIPTION OF WORK (NUMBER OF KILOMETRES AND TYPE OF WORK, eg "13,5 km RE-CONSTRUCTION OF ROAD 1974") DESCRIPTION STARTS CENTERED ON THE LEFT-HAND SIDE AND IN THE FIRST 105mm-DIMENSION BELOW "MAKHADO LOCAL MUNICIPALITY".
 - (a) SAFCEC EMBLEM ONLY, IF CONTRACTOR IS A MEMBER, ALL OTHER CASES, INCLUDING DEPARTMENTAL CONSTRUCTION, REMAIN BLANK.
(b) IF DEPARTMENTAL CONSTRUCTION, THE CONTRACTOR AND TELEPHONE ARE REPLACED WITH ROAD AGENCY LIMPOPO (PTY) LTD CONSTRUCTION UNIT : TEL : 7. SABTACO LOGO TO BE OBTAINED FROM SABTACO, JOHANNESBURG.



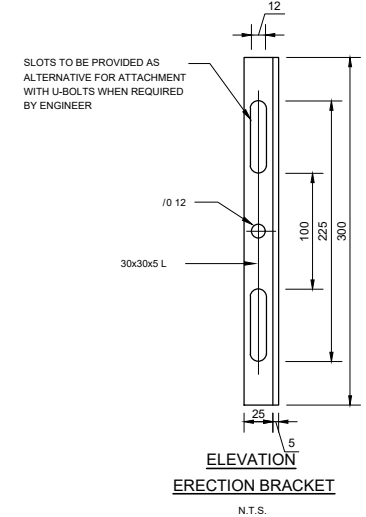
FOUNDATION DETAIL
N.T.S.



SIDE ELEVATION
N.T.S.



PLAN: SECTION D-D
N.T.S.



ELEVATION ERECTION BRACKET
N.T.S.

DESIGNED BY		H.T.	VHEMBE DISTRICT MUNICIPALITY		MORULA CONSULTING ENGINEERS		VHEMBE DISTRICT MUNICIPALITY		PROJECT STATUS: TENDER		(Full signature)		SHEET 1 OF 1	
CHECKED BY		H.T.	PRIVATE BAG X5006 THOHOYANDOU 0950 TEL. (015) 960 2000 FAX. (015) 962 1017		CONSULTING ENGINEERS & PROJECT MANAGERS "a new dawn" P. o. Box 2740 POLOKWANE 0700 TEL. (015) 296-4460 FAX. (015) 296-4103		WATER SUPPLY-BULK AND RETICULATION UPGRADING OF NGWENANI THEMELI, NGULUMBI, NGOVHELA, MADAMALALA, PHINDULA, MAEMBANI AND MULEDZHI		DRAWING NUMBER MC/VDM/BRU/SD16		REVISION ①		SCALE AS SHOWN	
DRAWN BY		T.M.												
CHECKED BY		H.T.					NAMEBOARD DETAILS							